



**NL** PELLETKACHEL

**EN** PELLET STOVE

**FR** POÊLE À GRANULÉS DE BOIS



### **Hamar 8**

Art. 5955700

EAN 8712757486984

**NL** Handleiding

**EN** Instruction manual

**FR** Manuel d'instructions

made easy

## Dear Customer,

We thank you for having chosen one of our products, the fruit of technological experience and of continual research for a superior quality product in terms of safety, dependability, and service.

In this manual you will find all the information and useful suggestions to use your product with the maximum safety and efficiency.



**We highly recommend to turn to our Authorized Service Centre for the installation and the first ignition of the device as it not only carries out the installation perfectly but also verifies the regular operation of it.**

- Incorrect installation, incorrectly performed maintenance, improper use of the product release the manufacturer from every eventual damage derived from the use of the stove.
- The unit cannot be used as an incinerator. Do not use fuels other than pellets.
- This manual has been realized by the manufacturer and constitutes an integral part of the product and must remain with it during its entire lifetime. If the product is sold or transferred, be sure that the booklet is present since the information contained in it are addressed to the buyer, and to all those persons of various titles who complete the installation, use and maintenance.
- Carefully read the instructions and the technical information contained in this manual, before proceeding with the installation, use, and any operation on the product.
- The observance of the indications contained in the present manual guarantees the safety of people and the product, the economy of use and a longer functioning lifetime.
- Although the carefully studied design and the risk analysis done by our company has permitted the realization of a safe product, in any case, before effecting any operation on the stove, it is recommended to keep said manual available and pay scrupulous attention to the instructions written therein.
- Be very careful when moving the ceramic details where present.
- Check the precise flatness of the pavement where the product will be installed
- The wall where the product will be placed must not be constructed in wood, or in any case, made of an inflammable material, and in addition it is necessary to maintain a safety distance.
- While the stove is in operation, several parts of the stove (door, handle, sides) can reach high temperatures. Therefore pay attention and use the proper precautions, above all in the presence of children, elderly or disabled persons, and animals.
- Assembly must be performed by authorized persons (Authorized Assistance Center).
- Diagrams and drawings are furnished for the purpose of illustration; the manufacturer, with the intent of pursuing a policy of constant development and renewal of the product can, without any notice, make any modifications that are believed opportune.
- When the stove is working at its maximum speed, it is strongly suggested to wear gloves while handling with the door for pellets loading and the door handle.
- It is prohibited to install in bedrooms or in explosive environments.
- Only use replacement parts recommended by the supplier.



**Never cover the body of the stove in any way or obstruct the openings placed on the upper side when the device is operating. All our stoves are trial lighted on the construction line.**

**In the event of a fire, disconnect the power supply, use an extinguisher and call the fire fighters if necessary. After that contact the Authorized Assistance Center.**

This instruction booklet is an integral part of the product: make sure that it always accompanies the appliance, even in case of transfer to another owner or in the case of transfer to another place. In the event of damage or loss, request a copy from the area technician.

## THESE SYMBOLS INDICATE SPECIFIC MESSAGES IN THIS BOOKLET:



**ATTENTION:** This warning sign indicates that the message to which it refers should be carefully read and understood, because failure to comply with what these notices say can cause serious damage to the stove and put the user's safety at risk.



**INFORMATION:** This symbol is used to highlight information which is important for proper stove operation. Failure to comply with these provision will compromise use of the stove and its operation will not be satisfactory.

## Norms and declarations of conformity

Our company declares that the stove conforms to the following norms for the EC European Directive labelling:

- 2015/1185 UE
- 2014/30 UE (regulation EMCD) and following amendments;
- 2014/35 UE (Low Voltage Directive) and following amendments;
- 2011/65 EU (RoHS 2 directive);
- 2015/863 EU (delegated directive recently amended Annex II of the Directive 2011/65 EU);
- Ecodesign directive 2009/125/EC;
- The Rules of Construction Products (CPR- Construction Products Regulation) No. 305/2011 regarding the construction world;
- **While installing the unit respect the local, national and European rules;**
- EN 55014-1; EN 55014-2; EN 61000-3-2; EN 61000-3-3; EN 60335-1; EN 60335-2-102; EN 62233, EN 50581.

### Safety information

**Please carefully read this use and maintenance manual before installing and operating the stove! If clarification is needed, please contact the dealer or the Authorized Assistance Center.**

- The pellet stove must only be operated in living environments. This stove, being controlled by an electronic board, permits a completely automatic and controlled combustion; the exchange, in fact, regulates the lighting phase, 5 power levels and the shut down stage, guaranteeing the safe operation of the stove.

- The basket used for combustion allows most of the ash produced by the combustion of the pellets to fall into the collection compartment. Nevertheless, check the basket daily, given that not all pellets have high quality standards (use only quality pellets recommended by the manufacturer)

### Responsibility

With the delivery of the present manual, we decline all responsibility, both civil and penal, for accidents deriving from the partial or total lack of observance of the instructions contained herein.

We decline every responsibility derived from improper use of the stove, from incorrect use by the user, from unauthorized modifications and/or repairs, from the use of replacement parts that are not original for this model. The manufacturer declines every civil or penal, direct or indirect responsibility due to:

- Lack of maintenance;
- Failure to observe the instructions contained in the manual;
- Use in non-conformity with the safety directives;
- Installation in non-conformity with the norms in force in the country;
- Installation by unqualified or untrained personnel;
- Modifications and repairs not authorized by the manufacturer;
- Use of non-original replacement parts;
- Exceptional events.

## Instructions for safe and efficient use

- The device can be used by children that are not less than 8 years old and people with reduced physical, sensory or mental capabilities, or lack of experience or knowledge, provided being under supervision of someone responsible or after having received instructions relating to the safe use of the device and to the understanding of the dangers inherent to it. Children should not play with the device. Cleaning and maintenance to be performed by the user should not be made by children without supervision;
- Do not use the stove as a ladder or scaffold;
- Do not put clothes to dry on the stove;
- Any clothes hangers and suchlike must be kept a suitable distance from the stove. - Risk of fire;
- Carefully explain that the stove is made from material subjected to high temperatures for the elderly, the disabled, and in particular for all children, keeping them away from the stove during operation;
- Do not touch the stove with wet hands: the stove has electrical components that could produce sparks if handled incorrectly;
- Never open the glass door of the pellet stove while the stove is in operation;
- The stove must be connected to an electrical system equipped with an earthing conductor in accordance with regulations 73/23 and 93/98 EEC;
- The system must be of adequate electrical power declared the stove;
- Do not wash the inside of the stove with water.
- The water could damage the electrical insulation, causing electric shock;
- Do not expose your body to hot air for a long time. Do not overheat the room you are in and where the stove is installed. This can damage the physical conditions and cause health problems;
- Do not expose to direct the flow of hot air plants or animals;
- The pellet stove is not a cooking element;
- External surfaces during operation can become very hot. Do not touch them except with the appropriate protection;
- The plug of the device power cable must be connected only after installation and assembly of the device and must remain accessible after installation, if the unit is not provided of a double-pole switch suitable and accessible.
- Pay attention that the power cord (and any other cables external to the appliance) do not touch hot parts.
- Do not lay objects, glasses, infusers, room perfumers on the stove, they could be damaged or to damage the stove (in this case de warranty does not respond).
- In the event of a start-up system, do not force switch on;
- Unburnt pellet accumulation in the burner following "no switch on" must be removed before proceeding with new switch on. Before each restart, ensure the grate is well positioned and clean;
- It is forbidden to manually load the fuel in the grate. Non-compliance with this warning can generate dangerous situations;
- Evaluate the static conditions of the surface on which the weight of the product gravitates;
- Extraordinary maintenance operations must be carried out by authorised and qualified staff only;
- Disconnect the electrical power supply of the product before carrying out any maintenance operation;
- On first start-up, smoke may generate due to initial heating of the paint. Keep the premises well ventilated.



**Never turn off the heater by removing electricity. Let always complete the shutdown cycle, otherwise you may damage the structure and have trouble lighting in the future.**



**The stove is equipped with a safety device to prevent operation with dangerous negative pressure in the combustion chamber caused for example by unfavourable climatic situations or blockages in the flue. If intervening on this device, do not tamper with it and wait for the climatic situation to allow the flue to return to a negative pressure that would guarantee correct operation of the stove. If the stove is installed in particularly windy situations for long periods of time which would prevent daily use of the stove, the smoke extractor speed can be increased to guarantee correct negative pressure in the combustion chamber. This operation must be carried out by an authorized technician.**



## Operating area

For proper functioning and a good temperature distribution, the stove should be positioned in a location where it is able to take in the air necessary for combustion of the pellet (about 40 m<sup>3</sup>/h must be available), as laid down in the standard governing the installation and in accordance with local national standards.

The volume of the room must not be less than 20 m<sup>3</sup>.

**It is compulsory to install an adequate outdoor air intake which would allow oxidising air input necessary for correct operation of the product.**

The air flow between the outside and the installation premises can take place directly, through an opening on an external wall of the premises (**preferred solution, see Fig. 1a**); or indirectly, through air intake from the adjoining premises with air intake and permanently communicating with the installation premises (see Fig. 1b).

Adjoining premises excludes those used as bedrooms, bathrooms, garages, common areas of a building and, in general, premises in danger of catching fire.

Consider the doors and windows present which could interfere with correct air flow to the stove and maintain 1.5 metres from any smoke outlet.

The air intake must have a minimum total net surface of 100 cm<sup>2</sup> protected by an external grate which must not be obstructed and/or blocked and which should be periodically cleaned: the aforementioned surface should be increased as a result if there are other active generators inside the premises (for example: electric fans for stale air extraction, kitchen hood, other stoves, etc...), which could generate a negative pressure environment. A check is necessary, with all the equipment on, that the drop in pressure between the room and the outdoors does not exceed a value of 4 Pa.

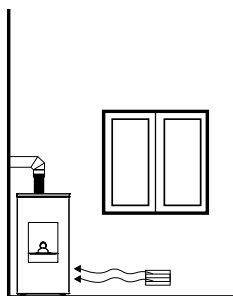


FIG. 1a- DIRECTLY FROM OUTSIDE

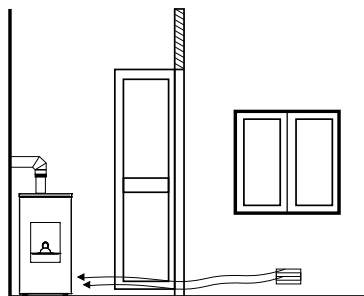


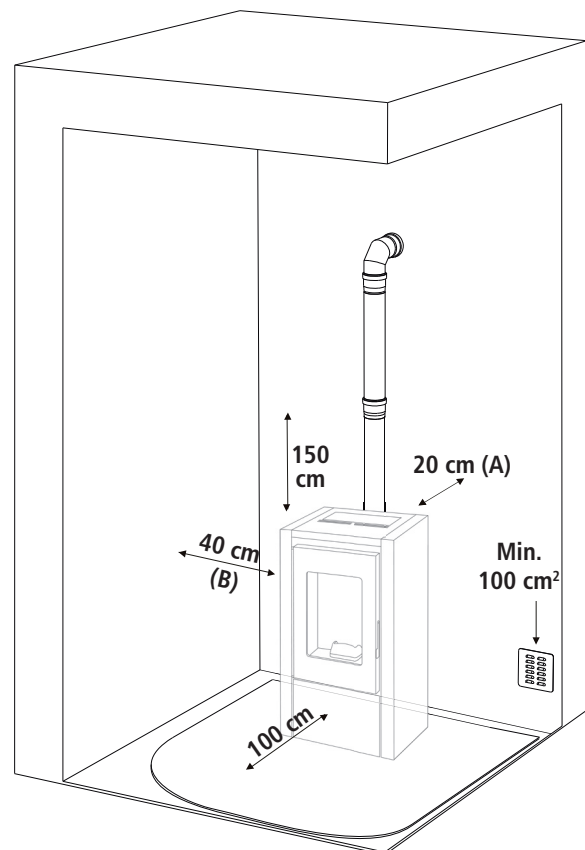
FIG. 1b- INDIRECTLY FROM ADJACENT PREMISES



**Installation in studio flats, bedrooms and bathrooms is only permitted for airtight or closed chamber equipment with an adequate canalization for oxidising air duct outwards.**



**Locating the stove in a room with an explosive atmosphere is prohibited. The floor of the room where the stove is to be installed must be strong enough to take its weight. Keep a minimum rear distance (A) of 20 cm, on the side (B) 40 cm and, on the front, 100 cm. These distances must be complied with to allow extraordinary maintenance by a technician and product safety. If particularly delicate objects are present such as furniture, curtains or sofas, the distance of the stove must be increased considerably.**



**In the presence of wood floors, install a floor protection surface in compliance with the rules in force in the country**

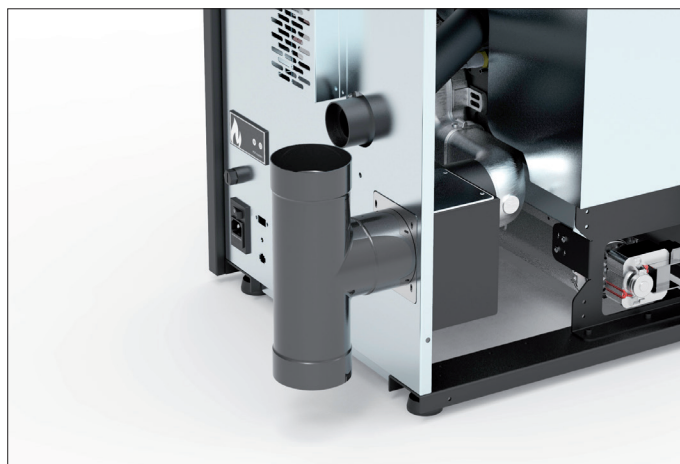
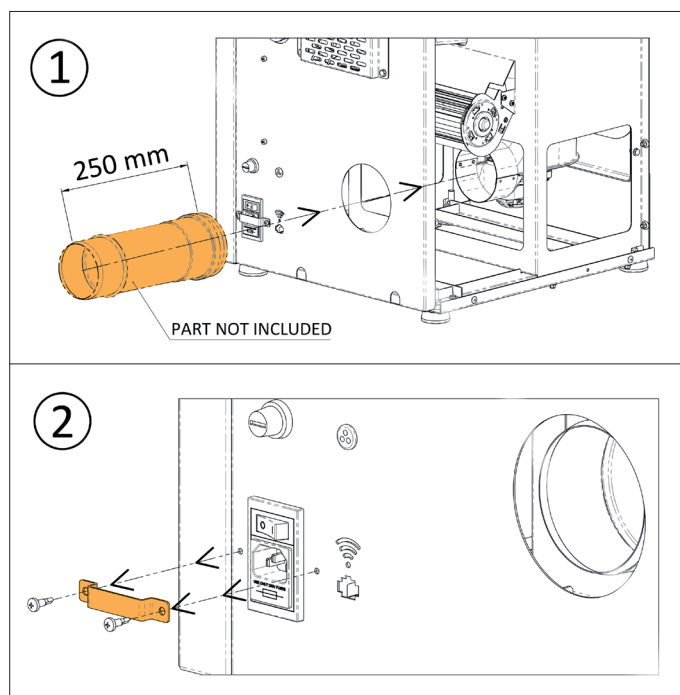
# Flue connection

## REMARKS:

- The appliance must be installed by a qualified technician in possession of the technical and professional requirements, under its responsibility, to ensure compliance with the rules of good technique.
- You need to keep in mind all laws and national, regional, provincial and municipal laws of the country in which you installed the device
- Check that the floor is not flammable: if necessary use a suitable platform
- In the room where the generator must be installed to heat must not pre-exist or be installed with an extractor hood or ventilation ducts of the collective type. Should these devices be located in adjacent rooms communicating with the installation, and 'prohibited the simultaneous use of the heat generator, where there is a risk that one of the two rooms being placed in depression than the other.

## REAR flue connection

The stove is supplied by default with a back smoke outlet. The pipe is not supplied as standard with the stove. At the outlet is necessary to provide a T-pipe with a collection cup (not supplied with the stove).



The following instructions have the purpose of giving instructions on installation of a good flue, however they do not replace in any way the standards in force of which a qualified builder must be aware. The stove manufacturer cannot be held in any way liable in civil or criminal terms for poor operation of the stove due to a wrongly sized flue and/or non-compliance with legislation in force, which must be complied with. The flue must be built to standard and category  $\geq$  T200 or higher, with a vertical progression without choking, resistant to condensate and resistant to fire caused by soot. It must be externally insulated to avoid smoke cooling and it must have a condensate drain. If the flue is a cement shaft, it must be ducted. The flue must be inspected for cleaning and must also be distanced from flammable and/or combustible materials.



**Installation of the flue is not permitted shared with other equipment.**

The minimum distances to comply with from any chimneys or reflux zones are outlined below.

Check the negative pressure between the flue and the environment installed comply with the instructions in the technical characteristics. The minimum height of the flue is 3.5 metres and must have an internal section that allows these minimum requirements to be met. Check the correct configurations using UNI EN 13384-1.

The flue must always be clean. Any soot residue reduces the section of the flue which would compromise draught and the soot could catch fire. Have a professional chimney sweep clean the flue and the chimney at least once a year and before switching on the generator after periods of inactivity. Lack of cleaning will negatively impact correct operation of the equipment.

## Flue connection

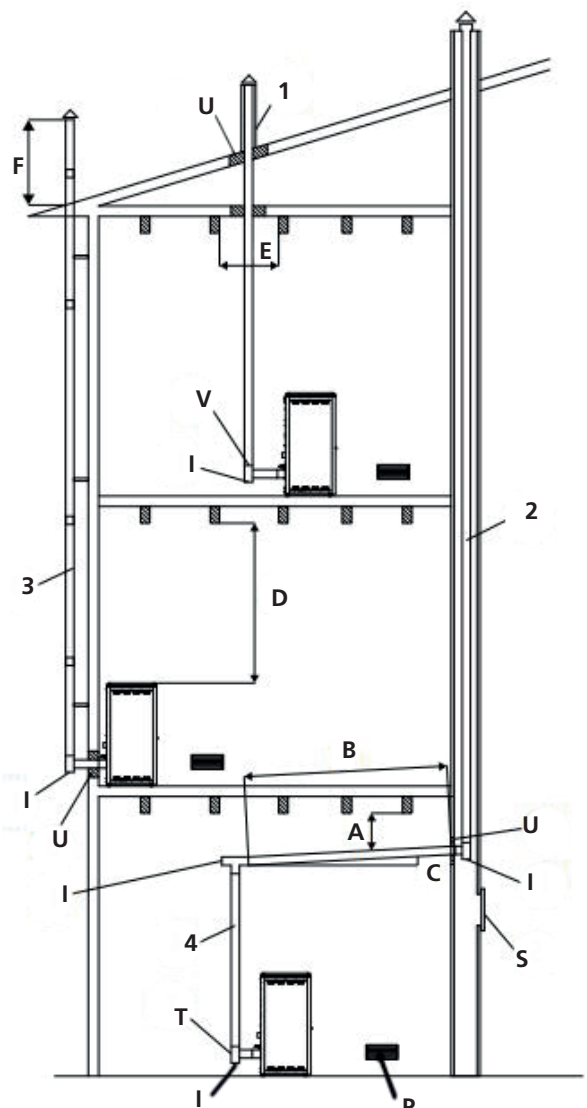
The joint between the stove and the flue must be installed using suitable tubes (min. T200). Use is forbidden of flexible metal tubes, in cement fibre or aluminium. The slope of the smoke duct must not have horizontal sections over 2 metres and must have a minimum 3% inclination. The first change of direction must take place after at least 1.5 metres of the vertical section. Inspect the base of the smoke duct with periodic controls. It is forbidden to connect the same smoke duct on multiple equipment. Keep the smoke duct an adequate distance from any flammable parts or parts sensitive to heat. Refer to the instructions given by the manufacturer of the flue for the distances to respect.

## How to connect canalization (where present)

On the canalization outlet only, connect a tube for each duct with a diameter of 80mm with a maximum length of 8 linear metres. For each 45° curve, consider a loss of one metre of linear section (e.g. maximum distance without curves 8 metres; maximum distance with a 45° curve  $8-1=7$  metres). You are advised to use tubes with a diameter of 80mm and with a smooth internal surface.

They must resist heat (you are advised to use at least a T200). Keep a distance from flammable and/or combustible objects (at least 50 cm) and from curtains and furniture.

## Example of correct installation.

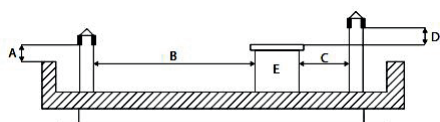


A= MINIMUM 40 MM	E= DIAMETER OF HOLE	I= INSPECTION PLUG
B= MASSIMUM 4 M	F= SEE FIG. 2-3-4-5-6	S= INSPECTION DOOR
C= MINIMUM 3°	U= INSULATION	P= AIR INTAKE
D= MINIMUM 400 MM	V= POSSIBLE REDUCTION from 100 to 80mm	T= T JOINT WITH INSPECTION PLUG

# Chimney

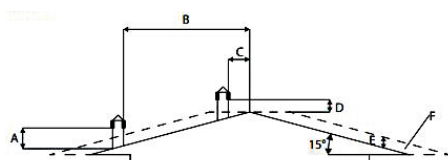
The opening area for smoke evacuation must be at least double the section of the flue and must prevent snow and animals entering. The measurement of the opening in the atmosphere must be outside the backflow zone caused by the shape of the roof and/or any obstacles found nearby. Pay attention to the presence of skylights and dormer windows.

## FLAT ROOF



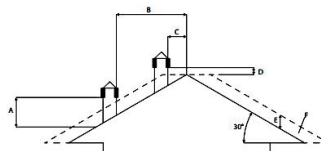
- A = MIN. 0,50 m.
- B = DISTANCE > 2,00 m.
- C = DISTANCE < 2,00 m.
- D = 0,50 m.
- E = TECHNICAL VOLUME

## 15° ROOF



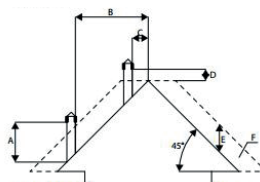
- A = MIN. 1,00 m
- B = DISTANCE > 1,85 m
- C = DISTANCE < 1,85 m.
- D = 0,50 m. OVER THE RIDGE
- E = 0,50 m.
- F = BACKFLOW ZONE

## 30° ROOF



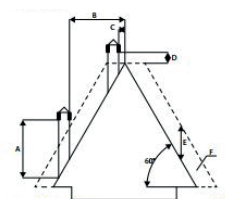
- A = MIN. 1,30 m.
- B = DISTANCE > 1,50 m.
- C = DISTANZA < 1,50 m.
- D = 0,50 m. OVER THE RIDGE
- E = 0,80 m.
- F = BACKFLOW ZONE

## 45° ROOF



- A = MIN. 2,00 m
- B = DISTANCE > 1,30 m.
- C = DISTANCE < 1,30 m.
- D = 0,50 m OVER THE RIDGE
- E = 1,50 metri
- F = BACKFLOW ZONE

## 60° ROOF



- A = MIN. 2,60 m
- B = DISTANCE > 1,20 m.
- C = DISTANCE < 1,20 m.
- D = 0,50 m. OVER THE RIDGE
- E = 2,10 m.
- F = BACKFLOW ZONE

# Stove feet adjustment



The stove is delivered with the feet screwed on. Before installation, unscrew the feet so that there is a 2 cm gap between the floor and the stove.

**THIS IS OBLIGATORY FOR THE CORRECT OPERATION OF THE STOVE.**



## Charge pellet

Fuel is loaded from the upper part of the stove by opening a door.

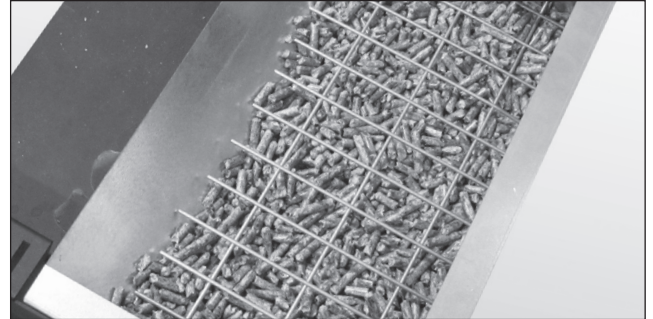
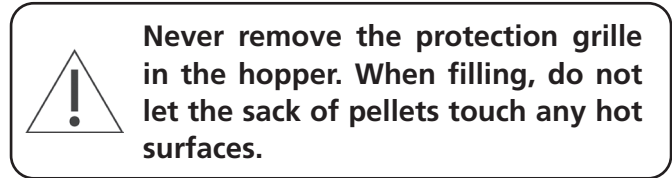
Pour the pellets in the hopper. This is easier if performed in two steps:

- Pour half of the contents of the bag into the hopper and wait for the fuel to settle on the bottom.
- Then pour in the second half;
- Keep the cover closed, after loading the pellets, the lid of the fuel tank;
- Before closing the door load-pellet make sure that there are no residues of pellets around the seal. If carefully cleaned to avoid compromising the seals.

The stove is a product by heating, presents the external surfaces particularly hot.

For this reason, we recommend extreme caution when operating in particular:

- Do not touch the stove body and the various components, do not approach the door, it could cause burns;
- Do not touch the exhaust fumes;
- Do not perform any type of cleaning;
- Do not dump the ashes;
- Do not open the ash tray;
- Be careful that children do not come near.



### ONLY FOR HERMETIC STOVES.

To ensure an airtight seal, the rebate of the door seal should always be cleaned first.



- Use only wood pellets;
- Keep / store the pellets in a cool dry place;
- Never pour pellets directly on the hearth;
- Before making the electrical connection of the stove the discharge tubes must be connected with the flue;
- The environment where the stove is installed must have a sufficient exchange of air;
- It is forbidden to operate the stove with the door open or the glass broken;
- Do not use the stove as an incinerator; the stove should be used only for the intended purpose;
- Any other use is considered improper and therefore dangerous. Do not put in the hopper other than wood pellets;
- When the stove is operating, the surfaces, glass, handle and tubes become very hot: during operation do not touch these parts without adequate protection;
- Keep the fuel and other inflammable materials off the stove.

## Pellet


The pellets are cylinders of compressed wood, produced from sawdust and wood processing (chips and sawdust), generally produced by sawmills and carpenters. The binding capacity of the lignin contained in wood, allows to obtain a compact product without adding additives and foreign chemicals to the wood, is therefore obtained a natural fuel with high yield. The use of expired pellets or any other unsuitable material can damage parts of the stove and impair proper operation: this can lead to the termination of the guarantee, and its producer responsibility. With obvious floor capacity evaluation, in the installation premises, a maximum can be deposited of fuel, which corresponds to approx. 975kg of pellets.

**For our products use pellets diameter 6 mm, length 30 mm and a maximum of 8% and A1 certified according to the UNI EN ISO 17225-2 standard. Keep the pellets away from heat sources and not in humid environments or with explosive atmosphere. The company recommends using certified fuel.**



# Stove start up

## First lighting of the stove

- Before switching on, make sure that the grate is clean and empty of any pellet residues from previous combustions. Otherwise make sure you empty and clean it
- Fill the container 3/4 full with the pellets recommended by the manufacturer
- Connect the stove to an electrical outlet with the cable that has been supplied
- Press the lighting switch located on the back part of the stove
- The upper display will read **"OFF"**
- Press the button  for 2 seconds. After a few moments the smoke extractor and the lighting resistor will start and the display will read **"FAN ACC"**; The led resistance is switched on
- After 1 minute the display will read **"LOAD PELLETT"**, the stove will load the pellets and continue lighting the resistor
- Once the appropriate temperature has been reached the display will read **"FIRE ON"**: this means that the stove has begun the last phase in lighting, at the end of which the stove will be completely operational; The led resistance is switched off
- After some minutes the display will show the words **"ON 1-2-3-4-5"** alternating room temperature and current working power. The stove is now completely on
- When the stove reaches the set temperature, the display will show **"ECO"**.
- The temperature LED lights up when the set temperature is reached.



**Remove any components which might burn from the firebox and from the glass (various instructions and adhesive labels).**



**The brazier must be cleaned before each ignition.**



**Before lighting a small amount of smoke may fill the combustion chamber.**




**FOR THE SPECIALIST TECHNICIAN: After installation, verbally instruct the user on the correct use and maintenance of the stove.**



**We highly recommend to turn to our Authorized Service Centre for the installation and the first ignition of the device as it not only carries out the installation perfectly but also verifies the regular operation of it.**

**During the first lighting the environment should be well ventilated since during the first hours of operation unpleasant odours could develop due to the physical stabilizing of the paint and from the grease in the tube bundle.**

## Stove switching off

To switch off the stove, press the key  on the control board until you read **"OFF"** on the display. After the stove has been switched off, the fan continues working for a set time in order to grant a fast smokes exhaust from the combustion chamber.

If you have a model with remote control, you just need to switch the remote control off keeping the key pressed for 2 seconds and confirming the selection pressing the key SEND.

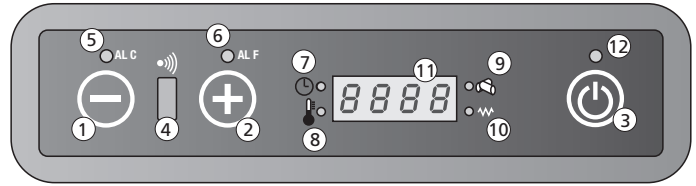
If you try to switch on the stove during this phase, the display will show **"ATTE"** (that means wait for cooling) in order to inform you a switching off phase is running. Wait until the cooling phase is completely off and the display shows **"OFF"** before starting a new light up.

## REMARKS:

- Do not continuously turn the stove on and off as this could provoke sparks that could shorten the life of the electrical components;
- Do not touch the stove with wet hands: the stove has electrical components that could produce sparks if handled incorrectly. Only authorized technicians can resolve possible problems;
- Do not remove any screws from the fire chamber without first lubricating them well;
- Never open the glass door of the pellet stove while the stove is in operation;
- Be sure that the brazier basket is positioned correctly;
- The flue system must be suitable for inspection. If it cannot be removed, it must have some holes for inspection and cleaning;

## Function keys

1. Temperature or power decrease
2. Temperature or power increase
3. Key On/Off
4. Receiver
5. Led alarm ALC
6. Led alarm ALF
7. Led chrono-thermostat
8. Led temperature ok
9. Led pellets loading
10. Led resistance
11. Display LED 7 segments
12. Led On/Off



### 1. Temperature or power decrease

Using the key on the menu Set temperature, you can decrease the temperature from a maximum value of 40 °C to a minimum value of 7 °C.

With the key on the menu Set power, you can decrease the working power from a maximum value of 5 to a minimum value of 1.

### 2. Temperature or power increase

Using the key on the menu Set temperature, you can increase the temperature from a min. value of 7°C to a max. value of 40°C.

With the key on the menu Set power, you can increase the working power from a min. value of 1 to a max. value of 5.

### 3. Key On/Off

Keep the key pressed for 2 seconds to switch the stove on or off.

### 4. Receiver

Sensor receiving the settings of the remote control.

### 5. Led alarm ALC

The led blinks in the event of a malfunction or alarm.

### 6. Led alarm ALF

The led blinks in the event of a malfunction or alarm.

### 7. Led chrono-thermostat

This means the automatic single or daily programming of the switching on or off of the stove is on.

The automatic programming can be set only with the remote control (optional).

### 8. Led temperature ok

This is on when the stove reaches the set temperature. In this case you will read the word "Eco" and the set temperature on the display.

### 9. Led pellets loading

This led blinks every time the stove is loading pellets.

### 10. Led resistance

This led is on only while the stove is lighting up in order to indicate that the resistance is warming the air which will fire the pellets.

### 11. Display LED 7 segments

On the display you can read the different working functions of the stove, the room temperature and the set working power. In the event of a malfunction, the display shows the relative error codes (see paragraph on alarm codes).

### 12. Led On/Off

This led indicates the different phases of the stove:

- it is on if the stove is switched on and working
- it is off if the stove is switched off
- it blinks if the stove is switching off

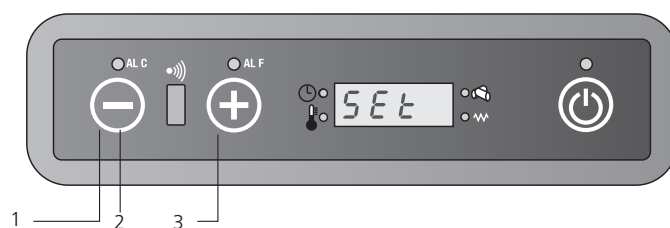


## Stove setting

### How to change the wished room temperature

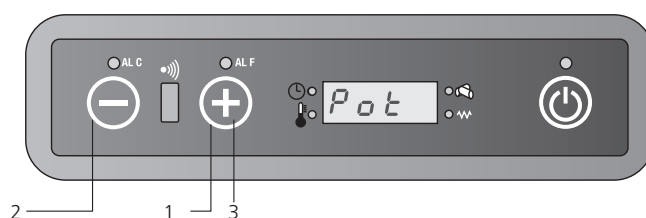
Join the following procedure to change the wished temperature: press the key  $\ominus$  (1) once to enter the menu and set temperature. You will read the word "Set" and the wished temperature on the display. Use the keys  $\ominus$  (2) and  $\oplus$  (3) to increase or reduce the wished value.

The stove will leave the menu Set temperature automatically as soon as you do not work on it for some seconds.



### How to change the working power

Join the following procedure to change the working power: press the key  $\oplus$  (1) once to enter the menu and set the working power. You will read the word "Pot" and the range of 5 possible powers on the display. Use the keys  $\ominus$  (2) and  $\oplus$  (3) to increase or reduce the wished value. The stove will leave the menu Set working power automatically as soon as you do not use it for some seconds.



# Remote control (optional)

## Keys and main functions

The remote control can be used to check the stove. The remote control offers some functions which are not available from the keyset, like the automatic programming of the switching on and off of the unit.

NOTE: Time setting is only possible with the remote control.

How to use the remote control:

1. Direct the remote control on the control board of the stove
2. Check there are no obstacles between the remote control and the receiver on the stove
3. Every function you set on the remote control must be confirmed pressing the key SEND.

**After selecting the wished function, an acoustic signal will confirm your choice.**



### On/Off

This function is used to switch the stove and the remote control on or off. Keep the key pressed for at least two seconds to switch the system on or off. Then press the key SEND.



You can use the two keys to set the wished temperature between a min. value of 7°C and a max. value of 40°C.



Please join the following procedure to set the functioning mode:

- |  |                       |
|--|-----------------------|
|  | Automatic Functioning |
|  | power 1 (on1)         |
|  | power 2 (on2)         |
|  | power 3 (on3)         |
|  | power 4 (on4)         |
|  | power 5 (on5)         |



### SEND

Use this key to transmit the selected information to the pcb.



### ECONO

This key activates or deactivates the function ECONO. Keep the key pressed for at least two seconds to activate or deactivate this function.



### TURBO

This key activates or deactivates the function TURBO. Keep the key pressed for at least two seconds to activate or deactivate this function.

**CLOCK FUNCTION**

Please join the following procedure to set the clock function on the remote control:

- press the symbol and the time blinking.
- use the keys and to set hour and minutes.
- press again to confirm and SEND to transmit the function to the pcb.

**ON1**

Using this key you can set a single time schedule for the automatic switching on of the stove (program 1).

**OFF1**

Using this key you can set a single time schedule for the automatic switching off of the stove (program 1).

**ON2**

Using this key you can set a single time schedule for the automatic switching on of the stove (program 2).

**OFF2**

Using this key you can set a single time schedule for the automatic switching off of the stove (program 2).

**AUTO**

With this key you can decide to repeat the programmed switching on and off (program 1 and 2) every day.

The key AUTO activates this function.

Keep the key pressed for at least two seconds to activate or deactivate this function.

**CANCEL**

Use the key CANCEL in the event you want to cancel some programmed switching on or off of the stove.

**Lock / Unlock button**

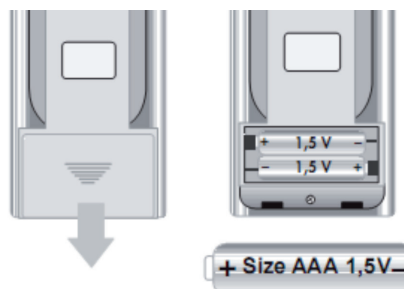
Press and hold the key for at least 2 seconds to activate / deactivate this function. (Not available on LCD 2)

**SLEEP**



This function allows, after an hour from sending the command, to automatically lower the temperature set by 1° C. (Not available on LCD 2)


**Replace the batteries of the remote control**

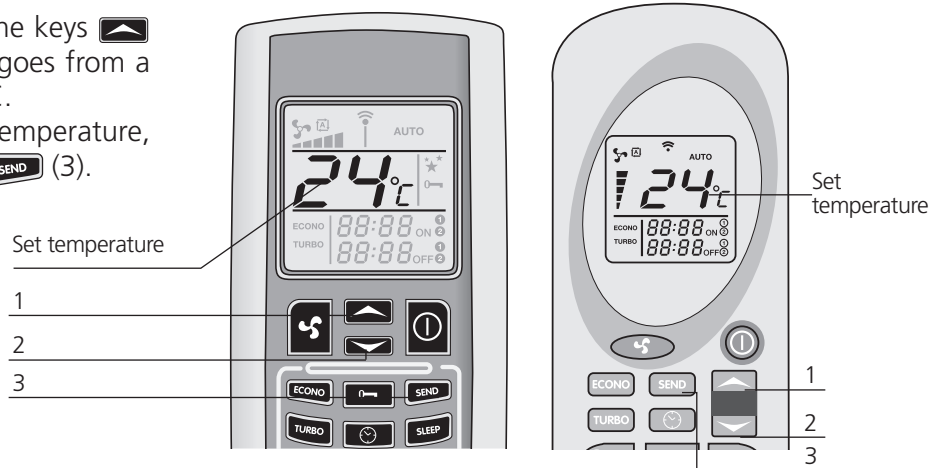
If you need to replace the batteries of the remote control, remove the back cover as shown in the picture. Replace the old batteries with the new ones respecting the polarity + and -. The batteries needed are AAA, 1,5 V.




## Change the temperature

You can change the temperature using the keys  (1) and  (2). The temperature range goes from a min. value of 7°C to a max. value of 40°C.

Once you have chosen the wished temperature, confirm your selection pressing the key  (3).





## Change the power

Use the key  (1) to select the power of the stove. The marks (2) on the display of the remote control indicate the five possible powers. Press the key SEND (3) to confirm your selection. You will see the words on1-on2-on3-on4-on5 and the room temperature on the control board of the stove according to the selected power.


You can also select the automatic function. Please refer to the paragraph on the Automatic Power Function to understand how the stove works in this mode.



## Automatic power function

To enter this function, press the key  (1), until you see the symbol  on the display. Press SEND (2) to transmit your selection. You will read the word "Auto" and the room temperature on the control board of the stove.

When you select this mode, the pcb will set the working power automatically according to the difference in degrees between the set temperature and the temperature identified by the sensor on the back of the stove.

Press , once more, select the wished power and press SEND to go back to the usual functioning.



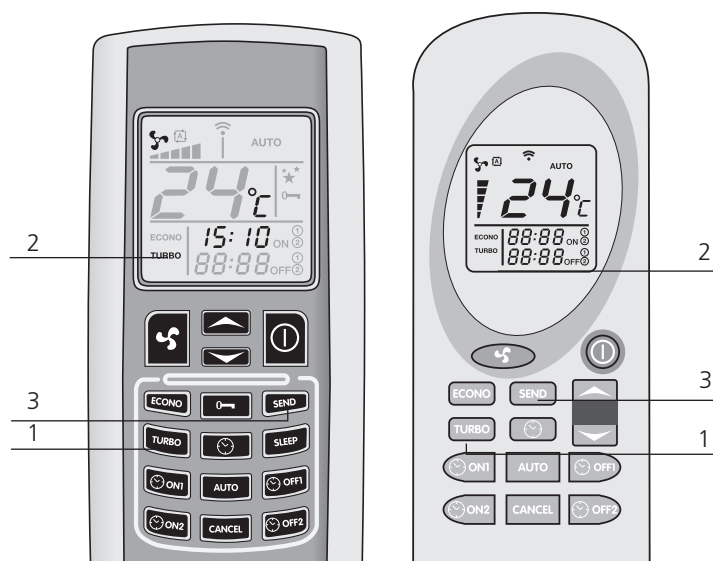
## Function TURBO

This function has been developed in the event you need to heat your room quickly, for example when you have just switched the stove on. When you choose this function, the stove will work at its max. power for a period of thirty minutes and the temperature will be automatically set at 30°C. After thirty minutes (or earlier if you give different selections from the remote control), the stove will restart working as it did before you activated the turbo function.

Keep the key TURBO (1) pressed for at least two seconds to activate this function. You will read the word "TURBO" (2) on the display of the remote control. Set temperature and working power will disappear. Press SEND (3) to transmit the selection to the pcb.

You will read the word "Turb" on the control board on the upper part of the stove. This word will appear together with the room temperature and working power set before activating the function TURBO.

If you want to deactivate this function before thirty minutes have passed, press the key TURBO (1) once again for at least two seconds. The word TURBO on the display of the remote control will disappear and you will see the set temperature and power again. Press the key SEND (3) to confirm your selection.



## Function ECONO

The function ECONO has been developed to save money and it is used when you want to keep the temperature constant in the room. This function lets the stove decrease its working power every 10 minutes until it reaches the power 1. Keep the key ECONO (1) pressed for at least two seconds to activate this function. You will read the word "ECONO" (2) on the display of the remote control. Set temperature and working power will disappear. Press SEND (3) to transmit the selection to the pcb. You will read the word "Econ" on the control board on the upper part of the stove. This word will appear together with the room temperature and working power set before activating the function ECONO. If you want to return to the standard function, press the key ECONO (1) once again for at least two seconds. The word ECONO on the display of the remote control will disappear and you will see the set temperature and power again. Press the key SEND (3) to confirm your selection.



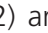





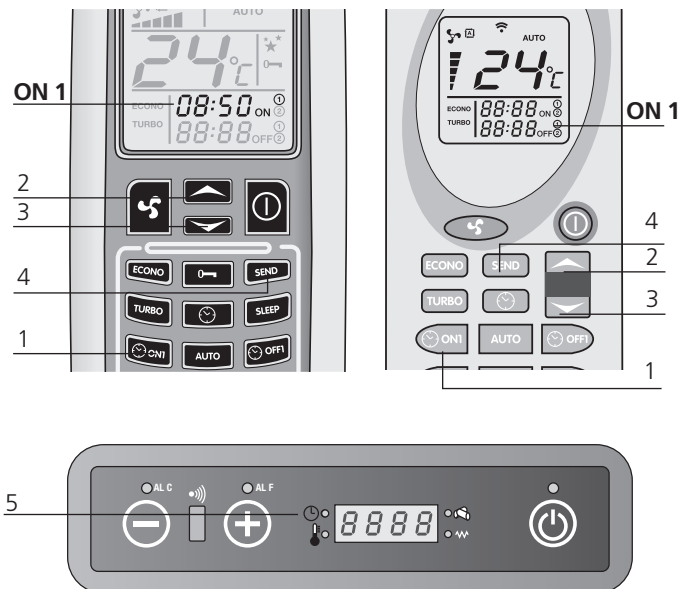


- The time of the automatic switching on and off must be set when the remote control is Off;
- In the event of an even very short lack of current, you will miss the set time for the automatic switching on or off. Once the power supply is back, please program the stove again using the remote control;
- The stove switching on at the scheduled time will keep the same temperature and power you set before you last switched it off;
- Please consider an interval of min. 20 minutes between the switching off and subsequent switching on of the stove. In this way the unit will have time to arrange a complete cooling phase; in the event this minimal interval is not calculated, the stove will not switch on as scheduled.




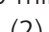

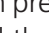
### Program 1 (ON1 and OFF1) Automatic switching on ON1

Please join the following procedure to set the time for the automatic switching on according to the program 1:

Press the key  (1). You will see the hours and minutes and the symbol ON1 blinking on the remote control. Use the keys  (2) and  (3) to change the wished time (intervals of 10 minutes). To scroll the time faster, keep the keys  (2) and  (3) pressed. Confirm your selection pressing the key  (1) once again. You will now read the set switching on time on the remote control. Press SEND (4) to transmit your selection to the pcb of the stove. The LED chrono-thermostat will light up on the control board indicating that the programming is on (5).



### Automatic switching off OFF1

Press the key  (1). You will see the hours and minutes and the symbol OFF1 blinking on the remote control. Use the keys  (2) and  (3) to change the wished time (intervals of 10 minutes). To scroll the time faster, keep the keys  (2) and  (3) pressed. Confirm your selection pressing the key  (1) once again. You will now read the set switching off time on the remote control. Press SEND (4) to transmit your selection to the pcb of the stove. The LED chrono-thermostat will light up on the control board indicating that the programming is on (5). The LED chrono-thermostat switches off as soon as the automatic switching on and off are completed. The remote control does not show the previously set time schedule anymore.



## Program 2 (ON2 and OFF2)

As above but with the keys ON2 and OFF2

### Cancel any eventual already set timetables.

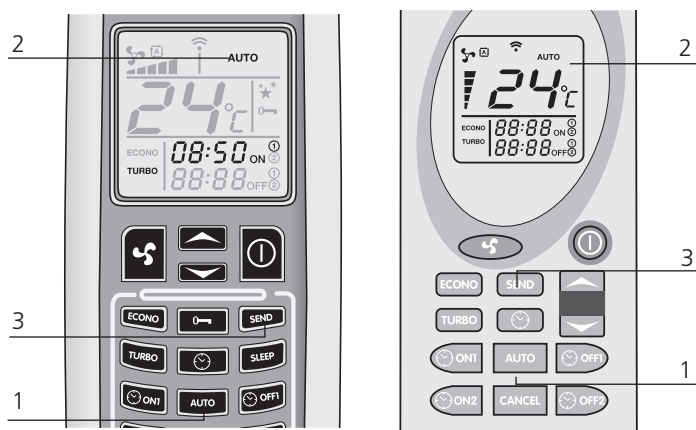
Please join the following procedure to cancel any other already set timetables. This example refers to the automatic switching off of the program 1 (Off1). The procedure is the same for all plans.

Press the key corresponding to the switching on or off time you want to cancel. Referring to the example: press the key OFF1 (1). You will see the hours and minutes and the symbol OFF1 blinking on the display of the remote control. Now press the key "CANCEL" (2) to cancel the automatic switching on or off timetables from the display. Press the key SEND (3) to confirm your selection and transmit it to the pcb of the stove.



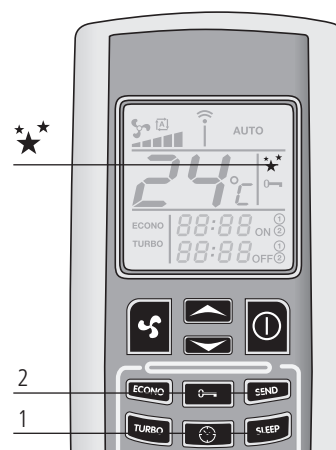
### Daily repeat AUTO

Using the function AUTO, you can repeat the single automatic switching on and off you selected every day. You just need to press the key AUTO (1) for at least two seconds to activate the function. You will read the words AUTO (2) on the display of the remote control. Press SEND (3) to confirm your selection and transmit it to the pcb of the stove. The LED chrono-thermostat will light up on the control board indicating that the programming is on. You can deactivate the automatic repeat whenever you want just pressing the key AUTO again for at least two seconds. The words AUTO will disappear from the display. Press SEND (3) to confirm your selection and transmit it to the pcb of the stove.



### Function SLEEP (not available on LCD2)

The mode SLEEP is another function developed to save money. One hour after its activation, the system starts decreasing the set temperature automatically by 1°C. Press the key SLEEP (1) on the remote control to activate the function SLEEP. You will see the symbol ★★ on the display of the remote control. Press the key SEND (2) to transmit your selection to the stove. The control board will register the new setting showing the word "SLEE" and the working power of the stove. You can deactivate the function SLEEP whenever you want just pressing the key SLEEP again and the key SEND to confirm your selection.



**Please note: if the stove is working in "Auto", it is not possible to activate the function sleep.**



**Always clean the brazier before starting an automatic switching on in order to avoid any possible missed starts up which would damage your stove and the environment.**



## Alarms signal

In the event of a working defect, the system informs the user about the type of failure occurred. The following table summarises the alarms, kind of problem and possible solution:

### No acc

This alarm occurs when the time foreseen for a light up (around 15 minutes) passes and the smokes temperature is still too low. This can occur also when there is not enough pellets flow to light up the unit. Press the key On/Off on the control board to reset the alarm. Wait until the cooling phase is completed, clean the brazier and start up with a new switching on.

### No fire

This alarm occurs in the event the stove switches off during its working phase (for example if there is no pellets left in the pellets tank). You will read the words "Alarm No fire" on the display. Press the key On/Off on the control board to reset the alarm. Wait until the cooling phase is completed, clean the brazier and start up with a new switching on.

### Cool fire

In the event of an even very short lack of current, the stove switches off. As soon as the power supply is back, the stove will start a cooling cycle and the display will show the words "Cool fire". After completing the cooling cycle, the stove will start up again.

**NOTE:** If your stove is supplied with a remote control and there is a lack of current, remember to program the eventual switching on and off times again. In the event of a lack of current, the stove will lose any previous time settings.

**Once the power supply is back, press the key SEND on the remote control to retransmit the automatic programming you previously set to the stove.**

1. Lighting button
2. Fuse F4AL250V
3. Thermostat reset button
4. Environmental probe

### Fan fail

This alarm occurs in the event the smokes ejector is broken or the pcb cannot detect the speed of the smokes exhaust fan. In this case press the key On/Off to reset the alarm and contact the technical assistance.

### Dep Sic fail

This alarm is signalled by the Leds ALF and ALC blinking on the control board.

It indicates two different possibilities: an obstruction in the flue or a possible overheating of the stove. In both cases the motor reducer to load the endless screw stops working and the stove switches off. Press the key On/Off to reset the alarm. Check the possible activation of the manual reset thermostat on the back of the stove (3). Unscrew the safety cap and press the key.

In the event you have the same problem more than once, please contact the technical assistance.

### Sond fumi

This alarm occurs in the event the sensor for smokes temperature is broken or not connected. You will read the words Alarm Sond fumi on the display. In this case press the key On/Off to reset the alarm and contact the technical assistance.

### Serv

The signal "Serv" on the display means that the stove has reached 1200 hours working. Please contact an authorised technical service to arrange a supplementary maintenance.



Regular checks should be carried out by the user, who should only contact the Authorized Assistance Center if no solution is found.

# Stove maintenance and cleaning

Before performing any maintenance operation on the stove, take the following precautions:

- make sure that all parts of the stove are cold;
- make sure that the ashes are completely extinguished;
- make sure that the main switch is in the OFF position;
- disconnect the plug from the socket, thus avoiding accidental contacts;
- once the maintenance phase is completed, check that everything is in order as before starting use (the brazier correctly).



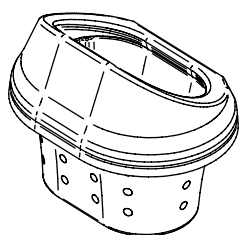
**Please follow the cleaning instructions below carefully. Non-compliance can result in problems in the operation of the stove.**

## Cleaning the brazier and brazier support

When the flame assumes a red colour or is weak, accompanied by black smoke, this means that there are ash deposits or incrustations that prevent correct functioning of the stove and that must be removed.

Every day remove the brazier simply by lifting it from its seat; then clean away from it any ash and deposits that could form, paying particular attention to freeing the plugged holes with the use of a pointed tool (not supplied with the stove). This operation is especially necessary the first few times upon each ignition, especially if pellets other than those recommended by the manufacturer are used. The frequency of this operation is determined by the frequency of use and the choice of pellet.

It is also good to check the brazier support, suctioning out any ash present with a vacuum cleaner.



Brazier



Brazier support

## Ash drawer

Open the door and remove all the ash deposited inside the ash collection compartment with a vacuum cleaner. This operation can be performed fairly frequently depending on the quality of the pellets being used.

## Cleaning the glass

The glass is self-cleaning therefore, while the stove is in operation, a veil of air flows along the surface of the same, keeping any ash and dirt away; however, within a few hours, a greyish film will form, to be cleaned away upon the first shutdown of the stove. Blackening of the glass also depends on the quality and quantity of pellets being used.

The glass must be cleaned when the stove is cold using products recommended and tested by our company.

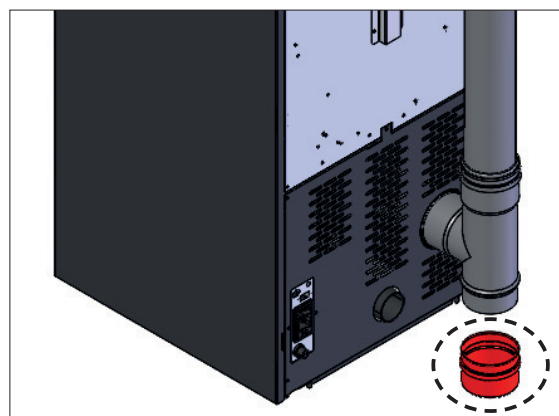
When this operation is being performed, always observe if the grey seal around the glass is in a good condition; failure to check the efficiency of this seal can compromise the operation of the stove. However, poor quality pellets may cause the glass to blacken.



**In the case of broken glass, do not attempt to ignite the stove.**

## Cleaning the T-fitting

Every 45 days it is necessary to check and possibly clean the T-fitting.



## Surface cleaning

To clean the surfaces use a rag soaked with water or at most neutral soap and water.



**The use of aggressive detergents or thinners can damage the surfaces of the stove. Before using any detergent it is advisable to try it on a point that is not in sight or contact the Authorised Service Centre for all advice on the matter.**

## Cleaning of metal parts

To clean the metal parts of the stove use a soft cloth, dampened with water. Never clean the metal parts with alcohol, thinners, petrols, acetones or other degreasing substances. In case of use of these substances, our company declines all responsibility. Any changes in the shades of the metal parts may be due to improper use of the stove.



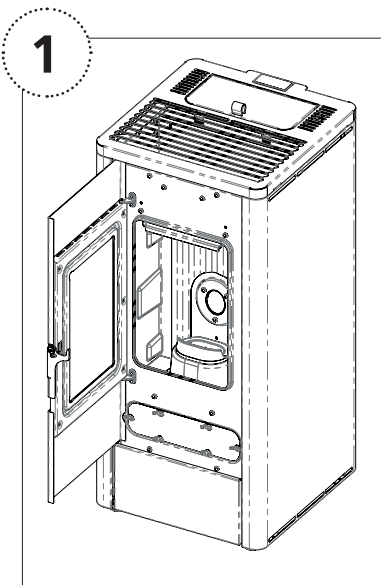
**It is necessary to perform daily cleaning of the brazier and periodic cleaning of the ash drawer. The reduced or absence of cleaning can in some cases prevent ignition of the stove with consequent damage to the stove and to the environment (possible emissions of incombustible material and soot). Do not reintroduce pellets that may be present in the brazier due to non-ignition.**

# Extraordinary maintenance and cleaning of the stove

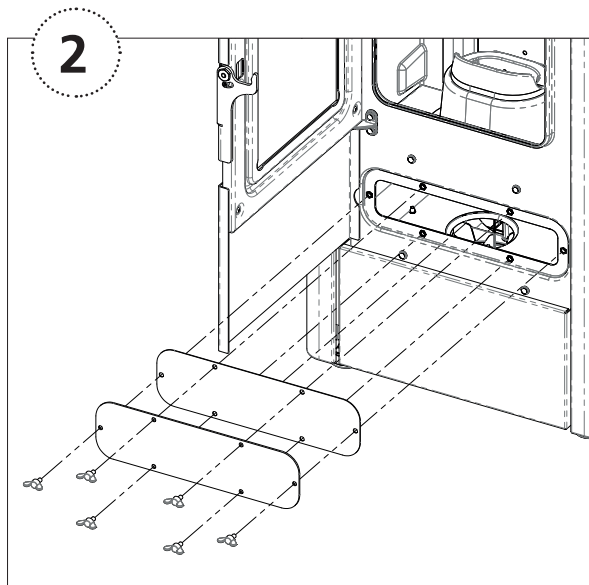
## BY THE SPECIALIST TECHNICIAN

Yearly check

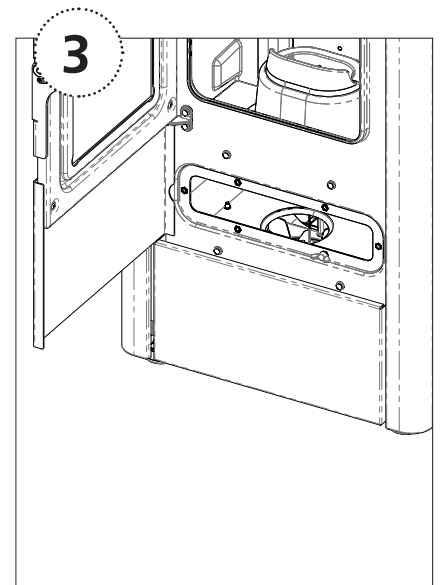
### Cleaning of the heat exchanger pipes



**1**  
Open the door of your stove.

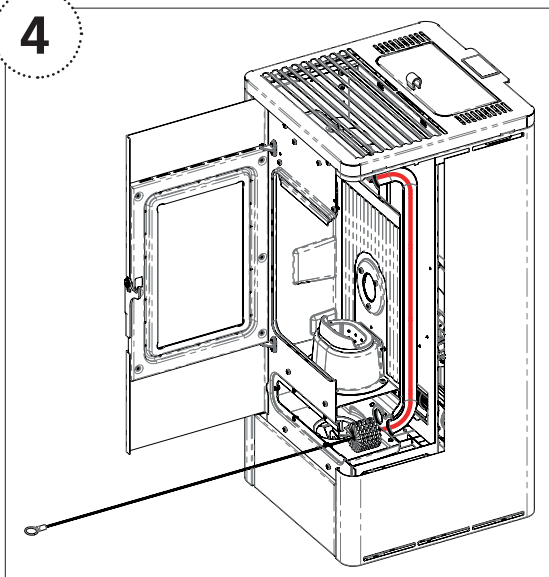


**2**  
Remove the screws and the inspection cover.



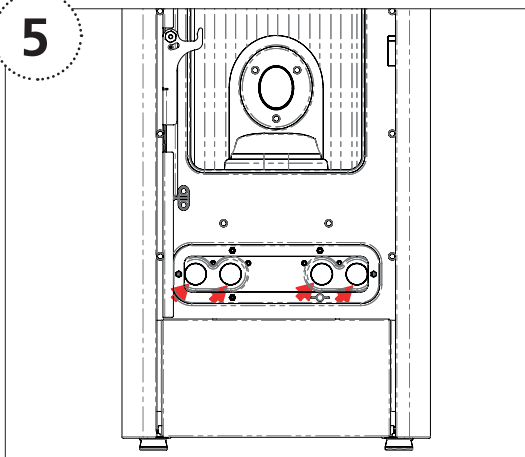
**3**  
Clean the inspection compartment.

4



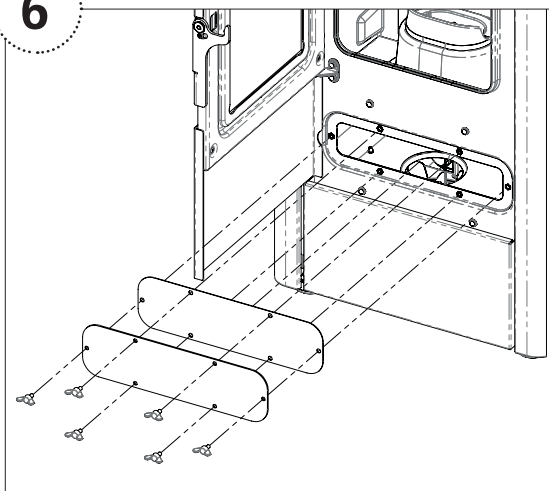
Using the brush, clean the exchange pipes. To facilitate insertion, it is advisable to bend the tip of the brush.

5



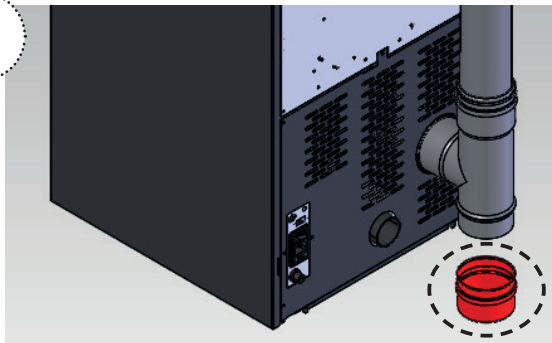
Clean each of the 4 holes indicated by the arrows.

6



Refit the fume inspection cover and seal, tightening the screws.

7



Remove the cap and clean the T-fitting located behind the stove.

### Cleaning the exhaust system

Until reasonable experience on the operating conditions is gained, this maintenance should be performed at least monthly.

- disconnect the power supply cable;
- remove the T-fitting cap and clean the ducts; if necessary, at least for the first few times, contact qualified personnel;
- thoroughly clean the smoke exhaust system: for this purpose contact a professional chimney sweeper;
- clean the area behind the inner cladding panels from dust, cobwebs, etc. once a year, especially the fans.

### Cleaning the fans

The stove is equipped with fans (room and fume fans) located in the lower part of the stove itself. Any dust or ash deposits on the fan blades create an imbalance that causes noise during operation. It is therefore necessary to clean the fans at least once a year. As this operation involves having to disassemble some parts of the stove, have the fan cleaned only by our Authorised Service Centre.

### End-of-season cleaning

At the end of the season, when the stove is no longer being used, a more thorough and general cleaning is recommended:

- remove all the pellets from the tank and from the auger;
- thoroughly clean the brazier, brazier support, combustion chamber and ash drawer.

If the above points have been observed, this only involves a check of the condition of the stove.

It is necessary to clean the exhaust pipe or flue more thoroughly and to check the condition of the basket: if necessary, order this intervention through the Authorised Service Centre. If necessary lubricate the door and handle hinges. Also check the ceramic fibre rope near the glass, on the inner wall of the door: if it is worn or too dry, order it from the Authorised Service Centre.

## Maintenance and cleaning



All cleaning of all parts must be carried out with the stove completely cold and unplugged to avoid burns and thermal shock. The stove does not need much maintenance if used with certified quality pellet. The need for maintenance varies depending on the conditions of use (switching on and off repeatedly) and depending on the performance required.

Parts	Everyday	Every 2-3 days	Every week	Every 15 days	Every 30 days	Every 45 days	Every year / 1200 h
Brazier	◇						
Cleaning ash collection compartment		◇					
Cleaning the door and glass		◇					
Cleaning the interior heat exchanger / smoke fan compartment							●
Cleaning complete exchanger							●
Clean "T" to exhaust						◇	
Fume duct using the appropriate tool						◇	
Door gasket ash							●
Internal parts							●
Flue pipe							●
Electromechanical components							●

- ◇ by the user
- by the authorised qualified technical assistance



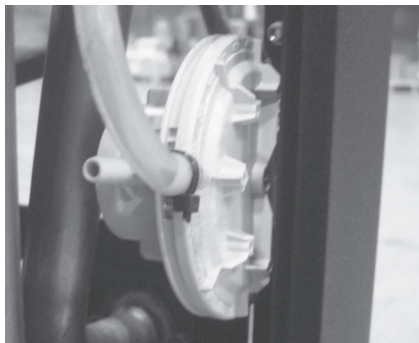
Every 1200 hours of work the electronic board sends a warning signal and the display will show "SERVICE". This indicates the need for a thorough cleaning of the stove by a CAT. The lack of such cleaning could result in failure of the stove and poor combustion, thereby resulting in a lower yield.



## Safety devices

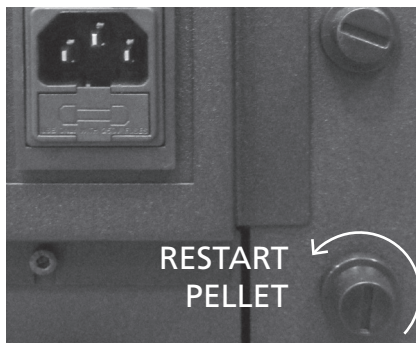


Tampering with the safety devices is prohibited. It is only after eliminating the cause which gave rise to the intervention of the safety system, that it is possible to relight the stove and thus reset the automatic operation of the sensor. To understand which anomaly has occurred, consult this manual at paragraph relating to alarms which explains what to do based on the alarm message the stove display.



### Pressure switch:

monitors the pressure in the smoke duct. It blocks the pellet feed screw if the outlet is obstructed or if there is significant back pressure, e.g. in the presence of wind. When the pressure switch trips, the message **"ALAR-DEP-FAIL"** appears.



### Pellets temperature safety:

In the very rare case of an over-temperature inside the stove, the manually reset pellet-safety thermostat generates an **"ALAR-SIC-FAIL"** alarm, interrupting the operation of the stove; it must be reset by the customer by resetting the aforementioned device behind the stove.



### Electrical safety:

the stove is protected against violent surges of current (ex. lightnings) by the main fuse 4 A which is located on the control panel at the rear of the stove. Other fuses to protect the electronic boards are to be found on the boards themselves.

## Other components



### Reduction motor:

if the motor stops, the stove continues to function until the flame goes out for lack of fuel, and until it has cooled down to the minimum level.



### Flue gas temperature sensor:

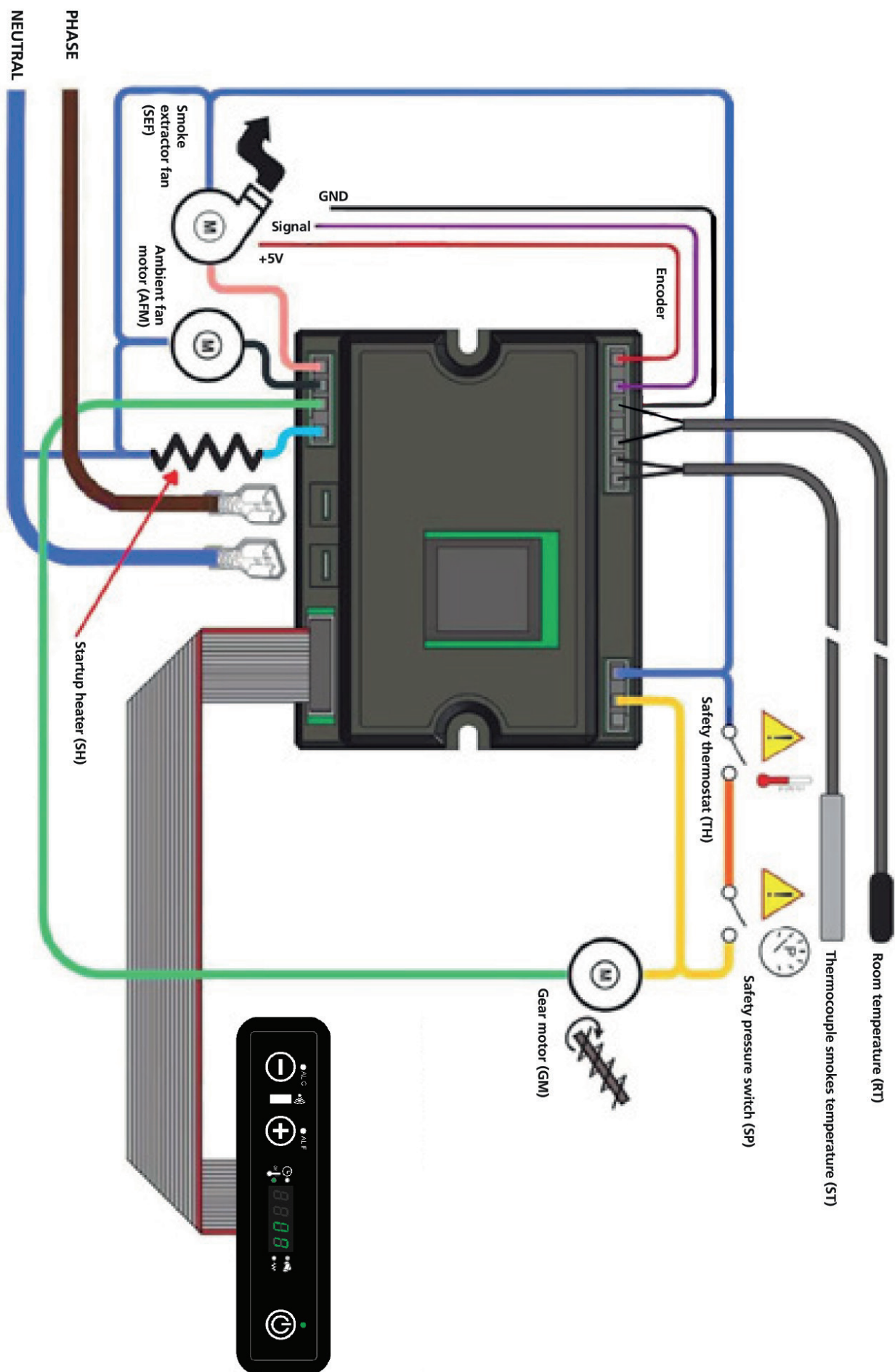
thermocouple that measures the temperature of the fumes while keeping the operation or shuts the stove when the flue gas temperature drops below the preset value.



### Room thermostat:

the room thermostat detects the present temperature in the room. When it detects the set temperature on the display, the stove will go into operation in **ECO** ie hold function to save fuel. The room thermostat should be spread so as not to be conditioned by the temperature of the body stove.

# Electrical connection scheme





# Problems and solutions



All repairs must be carried out exclusively by a specialised technician, with the stove completely cold and the electric plug pulled out. Is prohibited from any unauthorized modification to the device and the replacement of parts with other non-original. The operations marked in bold type must be carried out by specialised personnel.

## Any inconvenience and solutions

Given that all stoves are tested in their parts handling and work and therefore are delivered in perfect physical condition and operation, it should be remembered that the transport, unloading, handling, misuse or poor maintenance, can be causes of drawbacks. The main problems may be solved by reading the table below. If after doing as hereinafter described the problem is not resolved, contact your authorized service center.

PROBLEM	POSSIBLE CAUSE	REMEDY
<b>Display off and buttons are not working</b>	<ol style="list-style-type: none"> <li>1. Power failure in the network</li> <li>2. Switch back off</li> <li>3. Display defective</li> <li>4. Fault in the connection of the display with the card</li> <li>5. Fuse board interrupted</li> <li>6. Card defective</li> </ol>	<ol style="list-style-type: none"> <li>1. Check that the power cord is connected</li> <li>2. Use the switch back to operate it</li> <li>3. Unplug the stove from the power outlet for about one minute and then turn on. If the problem persists, contact an authorized service center</li> <li><b>4. Check that the display and board are properly connected. Contact your authorized service center</b></li> <li><b>5. Contact an authorized service center</b></li> <li><b>6. Contact an authorized service center</b></li> </ol>
<b>Remote inefficient</b>	<ol style="list-style-type: none"> <li>1. Too far from the stove</li> <li>2. No batteries in the remote</li> <li>3. The remote control is broken</li> </ol>	<ol style="list-style-type: none"> <li>1. Move closer to the stove</li> <li>2. Check and change the batteries</li> <li>3. Replace the remote control</li> </ol>
<b>Failure to ignite the stove</b>	<ol style="list-style-type: none"> <li>1. Excessive accumulation of ash in the grate</li> <li>2. Incorrect ignition procedure</li> </ol>	<ol style="list-style-type: none"> <li>1. Clean the grate</li> <li>2. Repeat the ignition procedure. <b>If the problem persists, contact your authorized service center</b></li> </ol>
<b>Smoke comes from the grill</b>	<ol style="list-style-type: none"> <li>1. Accidental electrical blackout</li> </ol>	<ol style="list-style-type: none"> <li>1. In case of ignition phase interrupted and momentary interruption of the fan, can occur slight amount of smoke</li> </ol>
<b>Hot air fan is not working</b>	<ol style="list-style-type: none"> <li>1. The stove has not yet been heated</li> </ol>	<ol style="list-style-type: none"> <li>1. Wait until the conclusion of the ignition cycle. Arrived in temperature, the fan will start automatically. <b>If the problem persists, contact your authorized service center.</b></li> </ol>

<p><b>The stove does not turn on automatically</b></p>	<ol style="list-style-type: none"> <li>1. The tank is empty.</li> <li>2. The resistance does not reach the temperature</li> <li>3. Resistance damaged</li> <li>4. The pellet drops</li> <li>5. Screw motor defective</li> <li>6. The grate is not in place or is dirty</li> <li>7. Obstruction of nests or foreign bodies in the chimney or fireplace</li> <li>8. Check operation of the glow plug</li> <li>9. The ash drawer is not closed properly</li> <li>10. Clogged flue and chimney</li> <li>11. Smoke extractor not working</li> <li>12. Temperature sensor defective</li> <li>13. Pellet wet</li> </ol>	<ol style="list-style-type: none"> <li>1. Fill the tank with pellets</li> <li>2. Check the electrical wiring and fuses, replace if the resistance is broken</li> <li>3. Replace the resistance</li> <li>4. It is recommended to unplug the power supply before: <ul style="list-style-type: none"> <li>- check that the pellet is not caught in the chute</li> <li>- check that the cochlea is not blocked by dirt</li> <li>- check the seal of the pellet-door</li> </ul> </li> <li><b>5. Contact an authorized service center</b></li> <li>6. Check that the hole in the brazier matches the glow plug, clean brazier</li> <li>7. Remove any foreign body from the chimney or flue pipe</li> <li>8. Make sure that there is power. Replace the spark plug if burned</li> <li>9. Close the drawer ashtray</li> <li>10. Perform periodic cleaning</li> <li><b>11. Check the operation of the extractor flue</b></li> <li><b>12. Contact an authorized service center</b></li> <li>13. Make sure the place of stowage pellet and replace it with a handful of dry pellets</li> </ol>
<p><b>Lock the stove. Pellets not being fed into the combustion chamber</b></p>	<ol style="list-style-type: none"> <li>1. The tank is empty</li> <li>2. The cochlea is no pellet</li> <li>3. Technical problem of the cochlea</li> <li>4. Reduction motor failure</li> <li>5. Electronic board faulty</li> </ol>	<ol style="list-style-type: none"> <li>1. Load the pellets in the tank.</li> <li>2. Fill the tank and proceed as instructed before ignition stove</li> <li>3. IT IS RECOMMENDED to unplug the power supply before: <ul style="list-style-type: none"> <li>- empty the tank and manually free the auger from obstructions (sawdust)</li> <li>- release the slide from obstructions</li> <li>- remove the dust accumulation of pellets in the bottom of the tank</li> </ul> </li> <li><b>4. Replace the reduction motor</b></li> <li><b>5. Replace the electronic board</b></li> </ol>
<p><b>The stove runs for a few minutes and then turn off</b></p>	<ol style="list-style-type: none"> <li>1. Lighting cycle not completed</li> <li>2. Temporary failure of electricity</li> <li>3. Probes fumes defective or broken or not inserted</li> </ol>	<ol style="list-style-type: none"> <li>1. Re-run power</li> <li>2. Re-run power</li> <li><b>3. Check and replace sensors</b></li> </ol>
<p><b>Fume extraction fan does not stop</b></p>	<ol style="list-style-type: none"> <li>1. The stove has not yet cooled</li> </ol>	<ol style="list-style-type: none"> <li>1. Allow the stove to cool. Only after cooling fan will stop. <b>If the problem persists, contact your authorized service center</b></li> </ol>

<p><b>The stove is clogged early in the brazier with burning irregular, door glass gets dirty, the flame is long, reddish and weak</b></p>	<ol style="list-style-type: none"> <li>1. Flue with presence of stretches too long or clogged</li> <li>2. Too pellet</li> <li>3. Excessive pellet or ash deposits in the brazier</li> <li>4. The brazier is not found in its slot</li> <li>5. Wind contrary to the exhaust flow</li> <li>6. Insufficient combustion air</li> <li>7. You changed the type of pellets used</li> <li>8. Smoke extractor motor broken</li> <li>9. Door closed incorrectly</li> </ol>	<ol style="list-style-type: none"> <li>1. Perform periodic cleaning. See paragraph stove installation in the user manual. Check chimney cleaning</li> <li>2. Decrease in the parameters the charge level of the pellets</li> <li>3. Clean the brazier after waiting for the total shutdown of the stove. <b>If you repeat contact your Authorized Service Center</b></li> <li>4. Check that the hole in the brazier matches the glow plug</li> <li>5. Check the chimney cap windproof and / or possibly install it</li> <li>6. Check the correct position of the brazier, its cleanliness and check that the air intake in both free environment, verify the status of the door seal, increase the level in the parameter relative to the speed of the fan exhaust fumes. <b>Contact your Authorized Service Center</b></li> <li>7. Check the quality of the pellets. <b>Contact your Authorized Service Center</b></li> <li>8. Increase the level in the parameters relating to the speed of the fan exhaust fumes. <b>Check and eventually replace motor</b></li> <li>9. Check that the glass is sealed and the seal guarantees tightness</li> </ol>
<p><b>Smell of smoke in the environment. Turning off the stove.</b></p>	<ol style="list-style-type: none"> <li>1. Poor combustion</li> <li>2. Malfunction of fan fumes</li> <li>3. Installation of the flue performed incorrectly</li> <li>4. Clogged chimney</li> </ol>	<ol style="list-style-type: none"> <li><b>1. Contact your Authorized Service Center</b></li> <li><b>2. Contact your Authorized Service Center</b></li> <li><b>3. Contact your Authorized Service Center</b></li> <li><b>4. Contact your Authorized Service Center</b></li> </ol>
<p><b>In the automatic position the stove always runs at full power</b></p>	<ol style="list-style-type: none"> <li>1. Room thermostat set to maximum</li> <li>2. Significant temperature sensor failure</li> <li>3. Control panel defective or broken</li> </ol>	<ol style="list-style-type: none"> <li>1. Reset the thermostat temperature</li> <li>2. Check the operation of the sensor and replace if necessary</li> <li>3. Check the control panel and replace if necessary</li> </ol>
<p><b>The engine smoke extraction does not work</b></p>	<ol style="list-style-type: none"> <li>1. The stove has no voltage</li> <li>2. The motor is broken</li> <li>3. The board is defective</li> <li>4. The control panel has failed</li> </ol>	<ol style="list-style-type: none"> <li>1. Check the supply voltage and the protection fuse.</li> <li>2. Check the motor and capacitor and replace if necessary.</li> <li>3. Replace the circuit board.</li> <li>4. Replace the control panel.</li> </ol>

<p><b>The fire goes out or the stove stops automatically</b></p>	<ol style="list-style-type: none"> <li>1. The pellet tank is empty</li> <li>2. No power</li> <li>3. Pellets not being fed</li> <li>4. Excessive deposit of ashes in the grate</li> <li>5. Intervention probe temperature safety of the pellet</li> <li>6. Cochlea blocked by dirt</li> <li>7. The door is not closed properly or gaskets worn</li> <li>8. Pellet inadequate</li> <li>9. Low pellet</li> <li>10. Chimney or drain clogged with nests or foreign bodies</li> <li>11. Pressure switch cuts</li> <li>12. Smoke extraction motor failure</li> <li>13. Alarm active</li> </ol>	<ol style="list-style-type: none"> <li>1. Fill the tank with pellets</li> <li>2. Check plug and presence electricity</li> <li>3. Fill the tank with pellets</li> <li>4. Clean the brazier</li> <li>5. Let the stove cool down completely, reset the manual reset and restart the stove. If the problem persists, contact your authorized service representative</li> <li>6. Pull the plug, empty the tank, remove any foreign objects</li> <li>7. Close the door or replace the gaskets with original</li> <li>8. Change the type of pellet recommended by the manufacturer. <b>Sometimes, depending on the type, the stage of adjustment of the parameters need to vary the level relating to the loading of pellets</b></li> <li>9. Increase the level in the parameter for the pellet feed. <b>To check the flow of fuel from technical authorized</b></li> <li>10. Eliminate all foreign matter from the chimney Clean the smoke duct. Perform periodic cleaning.</li> <li><b>11. Verify potential smoke duct is blocked and if the pressure switch is working properly</b></li> <li><b>12. Check and replace the motor if necessary</b></li> <li>13. See paragraph alarms</li> </ol>
<p><b>The air fan convention (ambient air) never stops</b></p>	<ol style="list-style-type: none"> <li>1. Temperature sensor temperature control defective or broken</li> <li>2. Smoke probe fails</li> </ol>	<ol style="list-style-type: none"> <li>1. Check the operation of the sensor and replace if necessary</li> <li>2. Replace smoke probe</li> </ol>
<p><b>The stove does not light.</b></p>	<ol style="list-style-type: none"> <li>1. Lack of electricity</li> <li>2. Probe pellets in bulk</li> <li>3. Fuse blown</li> <li>4. Pressure switch broken (lockout indicated)</li> <li>5. Smoke outlet or duct clogged</li> </ol>	<ol style="list-style-type: none"> <li>1. Check that the electrical outlet is plugged in and the power switch to "I"</li> <li>2. Lockout by resetting the rear thermostat, <b>replace the thermostat</b> if it happens again</li> <li>3. Replace the fuse</li> <li><b>4. Replace the pressure</b></li> <li>5. Clean the smoke outlet and / or smoke duct</li> </ol>



**The manufacturer of the stove any liability and will void the warranty terms of the product for any inconvenience caused by not following the rules described above. Any work of service center will be borne by the applicant if they are not complied with these instructions.**

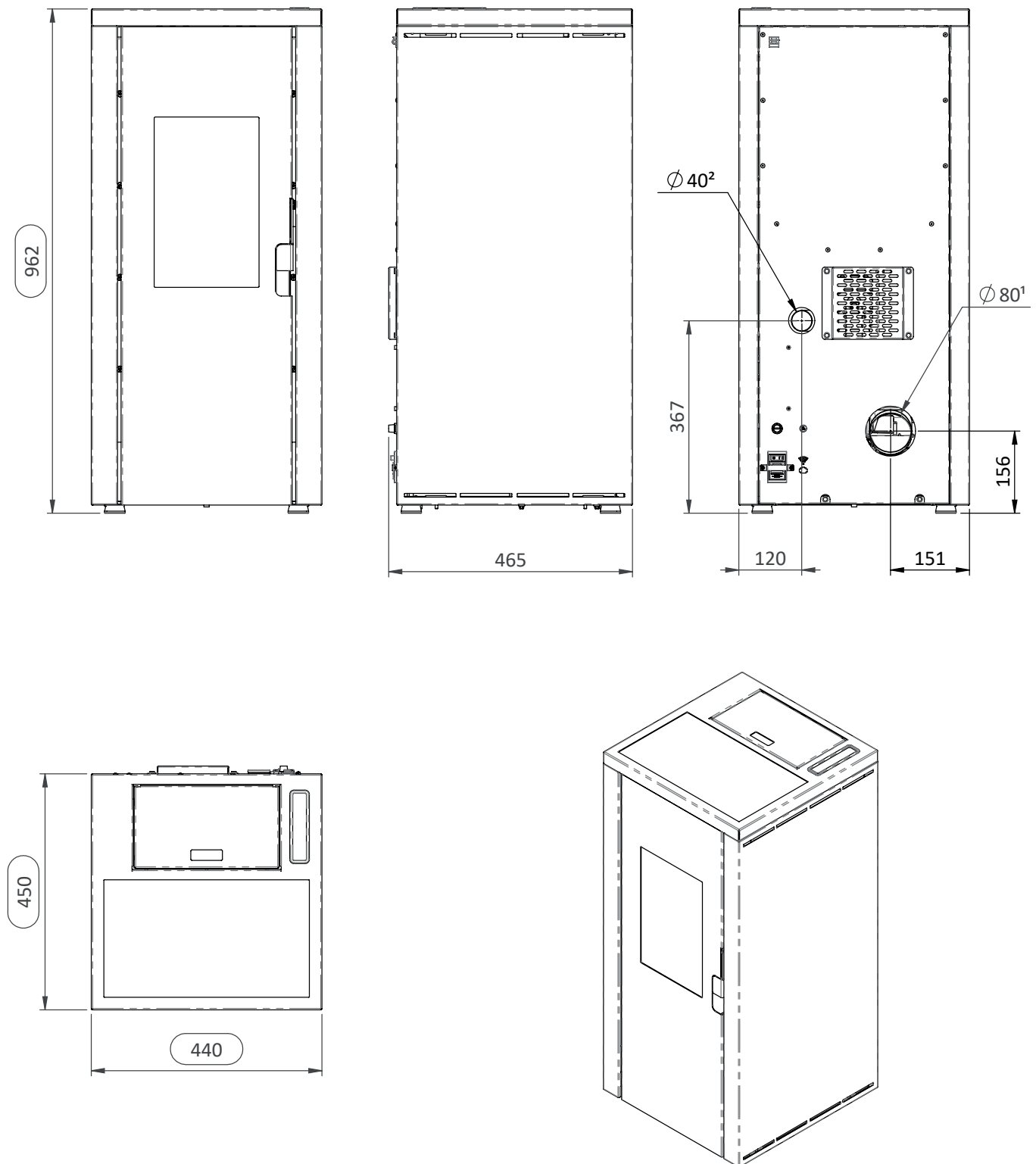
## Technical data

PARAMETER	UNIT OF MEASURE	SSI7	SSI75	SSI8
Heat input	kW	7,7	8,5	9,2
Nominal heat output	kW	7,0	7,7	8,3
Reduced nominal heat output	kW	3,4	3,4	3,4
CO concentration at nominal referencel at 13% O <sub>2</sub>	mg/m <sup>3</sup>	178	198	198
CO concentration at reduced referencel at 13% O <sub>2</sub>	mg/m <sup>3</sup>	280	280	280
Nominal efficiency	%	90,8	90,3	90,3
Reduced efficiency	%	91,6	91,6	91,6
Average consumption	kg/h	0,8 - 1,6	0,8 - 1,7	0,8 - 1,9
Heatable area	mc	180	200	215
Flue gas flow rate	g/s	3,3 - 4,7	3,3 - 4,8	3,3 - 4,8
Draft advised	Pa	10 - 10	10 - 12	10 - 12
Flue gas temperature	°C	110 - 166	110 - 195	110 - 195
Tank capacity	Kg	16	16	16
Recommended fuel	(ø x H) mm	pellet 6x30	pellet 6x30	pellet 6x30
Diameter smoke outlet tube	mm	80	80	80
Diameter air intake	mm	40	40	40
Nominal voltage	V	230	230	230
Nominal frequency	Hz	50	50	50
Power consumption	W	330	330	330
Stove weight	Kg	55	55	55
EEI (Energy Efficiency Index)		127	127	127
N° Test Report	CS22-0084030-01			
Energy class		A+	A+	A+
Powders at 13% O <sub>2</sub> Ref. nominal heat input	mg/m <sup>3</sup>	14	14,7	14,7
Decreto n. 186 del 7/11/2017		★★★★★	★★★★★	★★★★★

It is recommended to control emissions after installation.

In order to achieve the test report results, please load the performance parameters retained by the manufacturer and the qualified technician. They will use these parameters once verified that, during the installation, it is possible to reproduce the laboratory conditions. This performance is only reached after 15/20 working hours at nominal power.

## Mod. SSI



1. SMOKE OUTLET  $\varnothing 80$  mm
2. AIR INTAKE  $\varnothing 40$  mm

**REMARKS:**

- measurements are approximate and may vary based on to the aesthetics of the stove
- the positions of the tubes in the rear view are indicative and tolerance of +/- 10 mm
- measures with a tolerance of about 10 mm

## Commissioning of Livn pellet stoves

Congratulations on the purchase of your Livn pellet stove. For the warranty of the pellet stove it is important that the commissioning is carried out by one of our specialists.

### Do you want to make an appointment for the commissioning?

For the Netherlands you can register via the website: [https://doitforme.services/nl\\_be/nl/livn/search](https://doitforme.services/nl_be/nl/livn/search)

For Belgium you can register via the website: <https://livn.doitforme.services>

### Step 1

You have purchased a Livn pellet stove at one of our selling points.

#### Step 2A

You install the pellet stove according to the manual and applicable standards (Building Decree). Afterwards, please contact our specialist for an appointment to inspect the installation and to perform the commissioning of the pellet stove (to the value of €200,-, included in the price of your pellet stove).

#### Step 2B

The pellet stove is installed by one of our specialists. We will make you a customized offer if you send us an e-mail. The commissioning costs of €200,- are included in the price of the pellet stove, but the installation/material costs are not.

### Step 3

The placement of the pellet stove will be checked by our specialist.

#### Step 4A

If our specialist has determined that the pellet stove has not been installed correctly, please see step 2B

#### Step 4B

If the pellet stove has been installed correctly, our specialist will set the pellet stove with the correct parameters.

### Step 5

Our specialist will check the installation and operation of the pellet stove and will fill out the commissioning form, which will then be signed. This will take about 30 minutes. The warranty will also be activated, considering the applicable conditions. For correct operation of the pellet stove, please read the manual carefully. If you have any questions regarding the operation of the product, please contact your reseller.

## We hope you enjoy your Livn pellet stove

**Do you have any questions or malfunctions?**

Please contact [service@gimeg.nl](mailto:service@gimeg.nl)





A series of horizontal lines for writing, starting from the top of the page and extending to the bottom. The lines are evenly spaced and cover the majority of the page width.

## GENERAL WARRANTY

All products are thoroughly tested and are covered by warranty for a period of 24 months from the date of purchase, as documented by the invoice or purchase receipt, which must be shown to the authorised technical personnel.

Failure to produce the relevant document shall void the device owner's claim under warranty. The warranty is understood to grant a free replacement or repair of parts of the device that are originally faulty due to manufacturing defects.

1. The warranty covering manufacturing defects and material defects lapses in the event of:

- Interventions by unauthorised personnel;
- Damage resulting from transport or causes not attributable to the Manufacturer
- Incorrect installation;

- Incorrect wiring
- Failure to carry out periodic maintenance
- Accidents of an external nature (lightning, flooding, etc.);
- Incorrect use or maintenance;
- Any use with an excessive fuel load;
- Degradation of certain components or the entire product.

2. In special cases, complete replacement of the machine can only take place following the Manufacturer's undisputable assessment.

3. The company rejects any and all liability for damages that may be directly or indirectly caused to persons, property or animals as a result of failure to comply with the requirements set out in the Instruction Booklet and concerning, in particular, warnings on the installation, use and maintenance of the appliance.

## WARRANTY LIMITATIONS

The limited warranty covers manufacturing defects, only whereby the product has not suffered breakage caused by misuse, neglect, incorrect connection, tampering or installation errors.

The following components are covered by a 12-month warranty:

- Brazier
- Resistor (where present)

The following are not covered under warranty:

- The glass of the door;
- The general seals and fibre door;
- The paintwork;
- Majolica (if present);
- The remote control (if present);
- Internal bulkheads;
- The grills of the hearth;
- Burner (if present);
- Refractory materials (if present);
- Handles and/or knobs;
- Any removable parts;
- Any damages caused by inadequate installation and/or negligence on the part of the consumer;
- Damages due to voltage surges/overvoltages, inductive/electrostatic discharges or lightning.

Excluded from this warranty are all malfunctions and/or damages to the appliance resulting from the following causes:

- Transport and/or handling;
- Negligence or carelessness during use, incorrect maintenance, installation not in accordance with the Manufacturer's specifications (please refer to the Installation and Operating Manual supplied with the appliance);
- Incorrect sizing in relation to use, defects in installation or failure to take the necessary steps to ensure proper execution;
- Improper overheating of the appliance, such as the use of fuels that do not comply with the types and quantities indicated in the Instructions supplied;
- Erroneous intervention by the user directly in an attempt to remedy the initial fault and resulting in further damage;
- Continued use of the device by the user once the defect has occurred;
- In the presence of a boiler, any corrosion, scaling or cracks caused by stray currents, condensation, aggressive or acidic water, improperly-performed descaling treatments, a lack of water, or sludge/lime deposits;
- Inefficiency of chimneys, flues or parts of the system on which the appliance depends;
- Tampering with the appliance, atmospheric agents, natural disasters, vandalism, electrical discharges, fire or defects in the electrical and/or plumbing system;
- Failure to have the heater serviced annually by an authorised technician or qualified personnel, which shall void the warranty.

Hartelijk dank dat u voor één van onze producten heeft gekozen, het resultaat van technologische ervaring en voortdurend onderzoek om topkwaliteit te bereiken op het gebied van veiligheid, betrouwbaarheid en onderhoud. In deze handleiding zult u alle nodige informatie en nuttige tips vinden om uw product zo veilig en efficiënt mogelijk te gebruiken.



**Voor de installatie en de eerste ontsteking van het apparaat is het aanbevolen u te wenden tot ons erkend assistance center. Ons personeel zal niet enkel zorgen voor een perfecte installatie maar ook de regelmatige werking controleren.**

- Een verkeerde installatie, verkeerd onderhoud, verkeerd gebruik van het product ontheft de fabrikant van enige verplichting in geval van schade, voortvloeiend uit het gebruik van de kachel, en ontheft het bedrijf van alle burgerlijke en strafrechtelijke aansprakelijkheid.
- Het apparaat kan niet als een verbrandingsoven gebruikt worden. Gebruik geen ander brandstof dan pellets.
- Deze handleiding werd opgesteld door de fabrikant, is een integrerend onderdeel van het product en moet samen met het product gedurende de volledige levensduur bewaard worden. Als het product wordt verkocht of overgedragen, moet de gebruiksaanwijzing ter hand gesteld worden daar ze alle informatie bevat, van nut voor de gebruiker en de personen die het toestel zullen installeren, gebruiken en onderhouden.
- Lees aandachtig de aanwijzingen en de technische informatie, vermeld in deze handleiding, voor u het product installeert, gebruikt of onderhoudt.
- Als de instructies, aanwezig in deze handleiding, worden in acht genomen, wordt de veiligheid zowel van personen als van het product gehandhaafd, wordt een energiebesparend gebruik gegarandeerd en zal het product langer meegaan.
- Het nauwkeurig ontwerp en de door ons uitgevoerde risicoanalyse leidden tot de totstandkoming van een veilig product. Toch adviseren wij om de handleiding steeds ter beschikking te houden en aandacht te besteden aan de instructies als u een werkzaamheid op de kachel uitvoert.
- De keramische onderdelen zeer voorzichtig verplaatsen, indien aanwezig.
- Controleer of de vloer volledig vlak is waar het apparaat moet geïnstalleerd worden.
- De kachel mag niet tegen een houten wand geïnstalleerd worden of tegen een wand gemaakt van brandbaar materiaal. Zorg ook voor een veilige afstand tussen de wand en de kachel.
- Als de kachel brandt, kunnen verschillende delen hoge temperaturen bereiken (deur, handgreep, zijkanten). Lever daarom aandacht op en neem de juiste voorzorgsmaatregelen, vooral in aanwezigheid van kinderen, bejaarden, gehandicapten of dieren.
- De assemblage moet door geautoriseerd personeel uitgevoerd worden (erkend assistance center).
- De grafische voorstellingen en tekeningen worden verstrekt als illustratie. Door zijn beleidsstrategie, gebaseerd op een constante ontwikkeling en vernieuwing van het product, kan de fabrikant op elk ogenblik en zonder voorafgaande kennisgeving, wijzigingen aan het product aanbrengen als hij dit nodig acht.
- Bij maximaal bedrijf van de kachel is het aanbevolen om handschoenen aan te trekken om de deurhendel aan te raken en de deur te openen om pellets te laden.
- Het is verboden om de kachel in slaapkamers of in explosiegevaarlijke omgevingen te installeren.
- Gebruik uitsluitend reserveonderdelen, aanbevolen door de fabrikant. Door het gebruik van niet-originele onderdelen kan het product gevaarlijk worden en zal het bedrijf van elke burgerlijke en strafrechtelijke aansprakelijkheid worden vrijgesteld.



**De behuizing van de kachel op geen enkele wijze bedekken en de openingen aan de bovenzijde nooit verstoppert wanneer de kachel in werking is. Alle kachels ondergingen op de productielijn een ontstekingstest.**

**In geval van brand de stroomtoevoer afsluiten, een brandblusapparaat gebruiken en indien nodig de brandweer oproepen. Vervolgens contact opnemen met een erkend assistance center.**

Deze handleiding is een integrerend deel van het product: zorg ervoor dat ze het apparaat steeds vergezeld in geval van een nieuwe eigenaar of een verhuis. Bij verlies of beschadiging een ander exemplaar aanvragen.

## DEZE SYMBOLEN DUIDEN SPECIFIEKE INFORMATIE AAN IN DE HANDLEIDING:



**AANDACHT:** Dit waarschuwingsteken duidt aan dat het bericht, waarnaar het verwijst, aandachtig moet gelezen worden omdat het niet in acht nemen van deze informatie kan leiden tot ernstige schade aan de kachel en gevaar voor de veiligheid van de gebruiker.



**INFORMATIE:** Dit symbool wordt gebruikt om de informatie aan te duiden die belangrijk is voor de goede werking van de kachel. Het niet naleven van deze bepalingen zal het gebruik van de kachel benadelen en de werking zal niet bevredigend zijn.

## Normen en verklaring van overeenstemming

De fabrikant verklaart dat de kachel voldoet aan de volgende richtlijnen voor EG-etikettering:

- 2015/1185 UE
- 2014/30 EG (EMC-richtlijn) en daarop volgende wijzigingen;
- 2014/35 EG (laagspanningsrichtlijn) en daarop volgende wijzigingen;
- 2011/65 EG (RoHS 2 richtlijn);
- 2015/863 EU (gedelegeerde richtlijn tot wijziging van bijlage II van richtlijn 2011/65 EU);
- Verordening EU 2015/1185.
- De verordening bouwproducten (CPR-Construction Products Regulation) Nr. 305/2011 m.b.t. de bouwwereld;
- Voor installaties in Italië, verwijzen wij u naar UNI 10683/98 of daaropvolgende wijzigingen. Bij het installeren moeten de plaatselijke, nationale en Europese normen in acht genomen worden;
- EN 55014-1; EN 55014-2; EN 61000-3-2; EN 61000-3-3; EN 60335-1; EN 60335-2-102; EN 62233, EN 50581.

### Veiligheidsinformatie

Lees zorgvuldig deze handleiding voor gebruik en onderhoud voor u de kachel installeert en gebruikt!

Voor ophelderingen contact opnemen met de verkoper of met het erkende service center.

- De pelletkachel mag enkel worden gebruikt in een woonmilieu. Daar deze kachel door een printkaart wordt beheerd, is een volledig automatische en gecontroleerde verbranding mogelijk. Deze wisselwerking regelt inderdaad de ontstekingsfase, 5 vermogenniveaus en de uitschakelingsfase en garandeert een veilige werking van de kachel.

- Dankzij de korf waarin de verbranding plaatsvindt, valt het grootste deel van de geproduceerde as in de asla. Niettemin moet de korf dagelijks gecontroleerd worden daar niet alle pellets voldoen aan hoge kwaliteitsnormen (gebruik uitsluitend de pellets aanbevolen door de fabrikant).

### Aansprakelijkheid

Door de overhandiging van deze handleiding wijzen wij elke aansprakelijkheid af, zowel civiel als strafrechtelijk, voor ongevallen die voortvloeien uit het geheel of gedeeltelijk niet in acht nemen van de daarin opgenomen aanwijzingen.

Wij wijzen elke aansprakelijkheid af, voortvloeiend uit oneigenlijk en verkeerd gebruik, ongeautoriseerde wijzigingen en/of reparaties, het gebruik van niet originele vervangingsonderdelen.

De fabrikant wijst elke civiele of strafrechtelijke, directe of indirecte aansprakelijkheid af veroorzaakt door:

- Gebrek aan onderhoud;
- Het niet in acht nemen van de instructies in deze handleiding;
- Een gebruik niet conform met de veiligheidsrichtlijnen;
- Een installatie die niet voldoet aan de normen, van kracht in het land van gebruik;
- Een installatie door niet bevoegd of niet opgeleid personeel;
- Wijzigingen en reparaties die niet door de fabrikant werden geautoriseerd;
- Het gebruik van niet originele vervangingsonderdelen;
- Uitzonderlijke gebeurtenissen.

# Instructies voor veilig en effectief gebruik

- Dit apparaat kan gebruikt worden door kinderen vanaf 8 jaar en door personen met beperkte lichamelijke, zintuiglijke en geestelijke vermogens of gebrek aan ervaring en/of kennis indien ze onder toezicht staan van een verantwoordelijke of nadat ze instructies hebben ontvangen m.b.t. het veilig gebruik van het apparaat en de gevaren hebben begrepen die ermee zijn verbonden. Kinderen mogen niet met het apparaat spelen. De reiniging en het onderhoud dat door de gebruiker moet uitgevoerd worden mag niet door kinderen uitgevoerd worden tenzij onder toezicht;
- De kachel niet als een ladder of steiger gebruiken;
- Leg geen was te drogen op de kachel. Kleerhangers en dergelijke moeten op een redelijke afstand van de kachel worden gehouden. - Brandgevaar
- Leg zorgvuldig uit aan bejaarden, gehandicapten en in het bijzonder aan kinderen dat de kachel is gemaakt van materiaal, onderworpen aan hoge temperaturen, en dat ze daarom uit de buurt van de kachel moeten blijven als hij brandt.
- Raak de kachel niet aan met vochtige handen: de kachel bezit elektrische onderdelen die vonken kunnen veroorzaken indien ze niet juist worden behandeld.
- Open nooit de glazen deur van de pelletkachel terwijl de kachel werkt.
- De kachel moet met een elektrisch systeem aangesloten worden, uitgerust met een aardleiding, in overeenstemming met de richtlijnen 73/23 en 93/98 EEG;
- Het stroomtoevoersysteem moet geschikt zijn voor het verklaarde vermogen van de kachel;
- De binnenzijde van de kachel niet met water reinigen. Water kan de elektrische isolatie schaden en elektrische schokken veroorzaken;
- Stel uw lichaam niet te lang bloot aan de hete lucht. De kamer niet oververhitten waarin u verblijft en de kachel staat.

Dit kan de lichamelijke gesteldheid schaden en gezondheidsproblemen veroorzaken:

- Planten en dieren niet blootstellen aan directe hete luchtstroming;
- De pelletkachel is geen kookelement;
- De externe oppervlakken kunnen zeer heet worden tijdens de werking. Raak ze niet aan tenzij met geschikte beschermingsmiddelen.
- De stekker van de stroomkabel van het apparaat mag uitsluiten aangesloten worden nadat het apparaat werd geïnstalleerd en geassembleerd. De stekker moet toegankelijk blijven indien het apparaat geen geschikte en toegankelijke tweepolige schakelaar heeft.
- Let op dat de stroomkabel (en andere eventuele externe kabels) de hete delen niet raken.
- Plaats geen voorwerpen, glazen, theepotten of geurenverspreiders op de ketel, ze kunnen de ketel beschadigen (in dit geval geldt de garantie niet).
- Bij een storing van het inschakelingsysteem, de inschakeling niet forceren;
- Verwijder onverbrande pellets uit de brander, ten gevolge van een "mislukte ontsteking", alvorens een poging te doen om de kachel opnieuw in te schakelen. Controleer of de vuurpot schoon is en goed is geplaatst voor een nieuwe inschakeling;
- Het is verboden om de vuurpot handmatig met brandstof te vullen. Als deze waarschuwing niet in acht wordt genomen, kan dit leiden tot gevaarlijke situaties;
- Beoordeel de statische belasting van het oppervlak dat het product zal ondersteunen;
- Buitengewoon onderhoud mag alleen worden uitgevoerd door geautoriseerd en gekwalificeerd personeel;
- Sluit het product van de stroomvoorziening af voordat u onderhoud uitvoert;
- Bij de eerste inschakeling kan rook ontstaan omdat de lak opwarmt. De kamer dus goed verluchten.



**Schakel de verwarming nooit uit door de elektriciteit te verwijderen. Laat altijd de uitschakelcyclus doorlopen, anders kunt u de structuur beschadigen en in de toekomst problemen krijgen met de verlichting.**

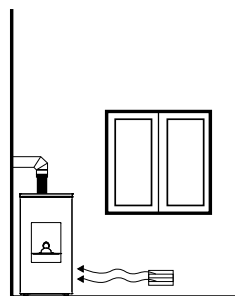


**De kachel is uitgerust met een veiligheidsvoorziening om te voorkomen dat er gevaarlijke onderdruk in de verbrandingskamer ontstaat, bijvoorbeeld door slechte weersomstandigheden of verstopping van de schoorsteen. Bij de tussenkomst van deze voorziening, er niet mee knoeien maar wachten tot de onderdruk in de schoorsteen of de klimatologische omstandigheden de goede werking van de kachel weer toestaan. Als de plaats waar de kachel is geïnstalleerd gedurende lange tijd bijzonder tochtig is, waardoor de kachel niet kan worden gebruikt, kunt u de snelheid van de rookafzuiging verhogen om een goede onderdruk in de verbrandingskamer te garanderen. Deze handeling moet door een geautoriseerde technicus worden uitgevoerd.**

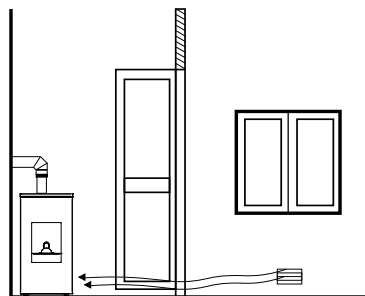
Voor een goede werking en een goede warmteverdeling moet de kachel op een plaats worden gezet waar voldoende lucht voor de verbranding van de pellets naar binnen kan (ongeveer 40 m<sup>3</sup>/h moet beschikbaar zijn), zoals bepaald in de richtlijn met betrekking tot de installatie en in overeenstemming met de plaatselijke nationale normen. Het volume van de kamer mag niet minder dan 20 m<sup>3</sup> zijn.

**Het is verplicht om voor een gepaste externe luchtinlaat te zorgen, die de verbrandingslucht toevoert, vereist voor een goede werking van het product.** De luchttoevoer tussen de buiten- en installatieruimte kan direct plaatsvinden, middels een opening op een buitenmuur van de kamer (voorkeursoplossing, zie afbeelding 1a); of indirect, middels de luchtaanzuiging van aangrenzende ruimten die zijn uitgerust met luchtinlaat en permanent communiceren met de installatieruimte (zie afbeelding 1b). Slaapkamers, badkamers, garages, gemeenschappelijke ruimtes van het gebouw en kamers waar brandgevaar heerst, zijn uit de aangrenzende ruimtes uitgesloten. Houd rekening met de aanwezigheid van deuren en ramen, die een juiste luchtstroom naar de kachel kunnen belemmeren. Ze moeten zich op 1,5 meter van de eventuele rookafvoer bevinden. De totale netto minimumoppervlakte van de luchtinlaat moet 100 cm<sup>2</sup> zijn.

De luchtinlaat moet door een buitenrooster worden beschermd, dat niet mag worden verstopt en/of afgesloten en dat periodiek moet worden gereinigd: Als er andere actieve generatoren in de kamer aanwezig zijn (bijvoorbeeld: elektrische ventilator voor het afzuigen van muffe lucht, afzuigkap, andere kachels enz.), die onderdruk kunnen veroorzaken in de omgeving, moet het bovengenoemde oppervlak dienovereenkomstig worden vergroot. Als alle apparatuur is ingeschakeld, moet u controleren of het drukverlies, tussen de kamer en buiten, de waarde van 4 Pa niet overschrijdt.



AFBEELDING 1a  
DIRECT VAN BUITEN

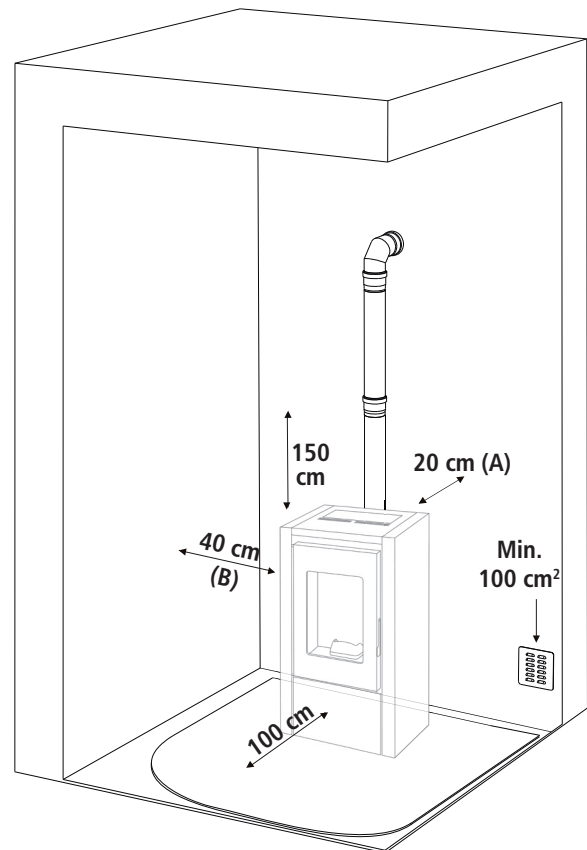


AFBEELDING 1b  
INDIRECT VANUIT DE AANGRENZENDE RUIMTE

De lucht vereist voor de verbranding kan direct op de externe luchtinlaat aangesloten worden met een buis van minstens 40 mm, met een maximale lengte van 2 strekkende meter; Elke bocht in de buis komt overeen met het verlies van één strekkende meter.



**De installatie in studio's, slaapkamers en badkamers is alleen toegestaan voor luchtdichte toestellen of apparaten met gesloten verbrandingskamer en voldoende afvoer van verbrandingslucht naar buiten.**



**De kachel mag niet in slaapkamers of badkamers geïnstalleerd worden of in kamers waar een ander verwarmingselement is geïnstalleerd (open haard, kachel enz.) dat niet over een eigen onafhankelijke luchtinlaat beschikt. Houd minstens een afstand (A) van 20 cm van de achterkant, 40 cm (B) van de zijkanten en 100 cm van de voorkant. Deze afstanden moeten in acht worden genomen zodat de technicus het buitengewoon onderhoud kan uitvoeren en de productveiligheid wordt gewaarborgd. Indien bijzonder gevoelige voorwerpen aanwezig zijn zoals meubels, gordijnen, banken, de afstand van de kachel aanzienlijk vergroten.**



**In aanwezigheid van een houten vloer moet een bescherming gelegd worden, in overeenstemming met de normen van het land van gebruik.**



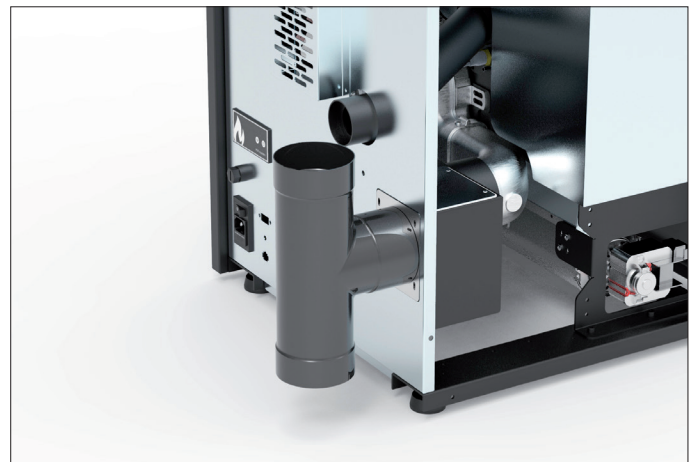
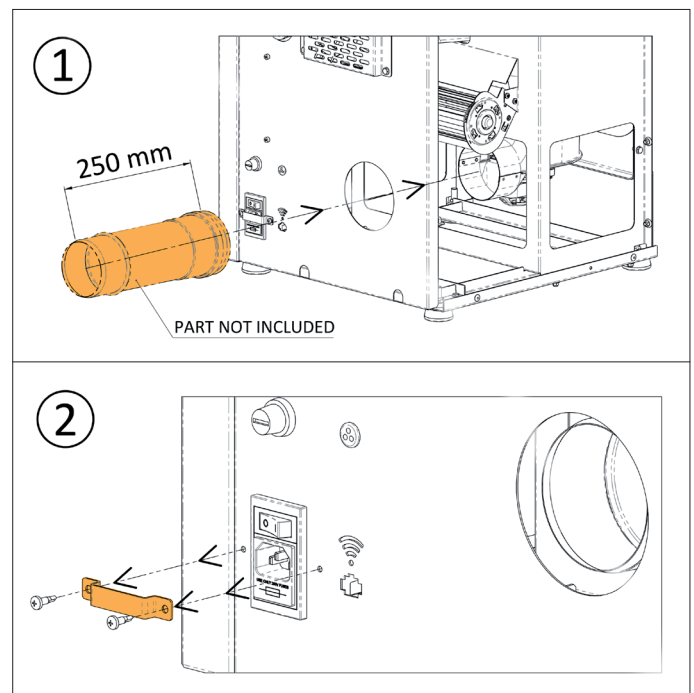
# Aansluiting rookkanaal

## HOUD ER REKENING MEE DAT:

- Het apparaat moet worden geïnstalleerd door een gekwalificeerde technicus die in het bezit is van de technisch-professionele vereisten onder zijn eigen verantwoordelijkheid, de naleving van de normen garandeert volgens de regels van goede praktijk;
- het is ook noodzakelijk om rekening te houden met alle nationale, regionale, provinciale en gemeentelijke wet- en regelgeving die van kracht is in het land waar het apparaat is geïnstalleerd;
- controleer of de vloer niet brandbaar is: gebruik eventueel een geschikt platform;
- in de ruimte waar de warmtegenerator zal worden geïnstalleerd, mogen geen afzuigkappen met afzuiging of collectieve ventilatiekanalen aanwezig zijn of geïnstalleerd zijn. als deze apparaten zich in aangrenzende kamers bevinden die in verbinding staan met de installatieruimte, is het gelijktijdig gebruik van de warmtegenerator verboden, omdat het risico bestaat dat een van de twee kamers onder druk komt te staan ten opzichte van de andere.

## Aansluiting rookkanaal achter

De kachel wordt standaard geleverd met een rookafvoer naar achteren. De pijp wordt niet standaard bij de kachel geleverd. Bij de uitlaat is het nodig om een T-pijp te voorzien met een opvangbeker (niet meegeleverd met de kachel).





Hierna worden indicaties verstrekt omtrent de verwezenlijking van een goed rookkanaal maar ze mogen niet worden beschouwd als een vervanging van de geldende normen, waarvan de gekwalificeerde technicus in het bezit moet zijn. De fabrikant van de kachel wijst elke burgerlijke of strafrechtelijke aansprakelijkheid af voor een slechte werking van de kachel, te wijten aan een rookkanaal met verkeerde afmetingen en/of dat niet voldoet aan de geldende voorschriften, die in acht moeten worden genomen. Het rookkanaal of de schoorsteen moet vakkundig worden gebouwd en met categorie  $\geq T200$ . Het rookkanaal moet verticaal lopen, zonder knelpunten, en bestand zijn tegen condensatie en roetbrand. Het rookkanaal moet aan de buitenkant worden geïsoleerd om afkoeling van de rookgassen te voorkomen en het moet met een condensafvoer zijn uitgerust. Als de schoorsteen een betonnen schacht is, moet u hem tuberen. Het rookkanaal moet voor de reiniging kunnen worden geïnspecteerd en moet op voldoende afstand staan van ontvlambare en/of brandbare materialen.

Hieronder melden we de in acht te nemen minimumafstanden van eventuele schoorstenen of terugstroomgebieden.

Controleer of de onderdruk tussen het rookkanaal en de omgeving overeenstemt met de technische kenmerken. De minimumhoogte van het rookkanaal is 3,5 meter en de binnendoorsnede moet voldoen aan de eisen en in ieder geval niet minder zijn dan 100 mm. Controleer de juiste configuraties volgens UNI EN 13384-1. Het rookkanaal moet altijd schoon zijn, eventuele roetresten verkleinen de doorsnede van de schoorsteen, waardoor het rookkanaal minder trekt en roetbrand kan ontstaan.

Laat het rookkanaal en de schoorsteenpot minstens één keer per jaar of na periodes van inactiviteit door een gespecialiseerde schoorsteenveger reinigen voordat u de kachel weer inschakelt. Verwaarlozing van de reiniging kan de goede werking van het toestel schaden.



**De installatie in een rookkanaal, dat wordt gedeeld met andere apparatuur, is niet toegestaan.**

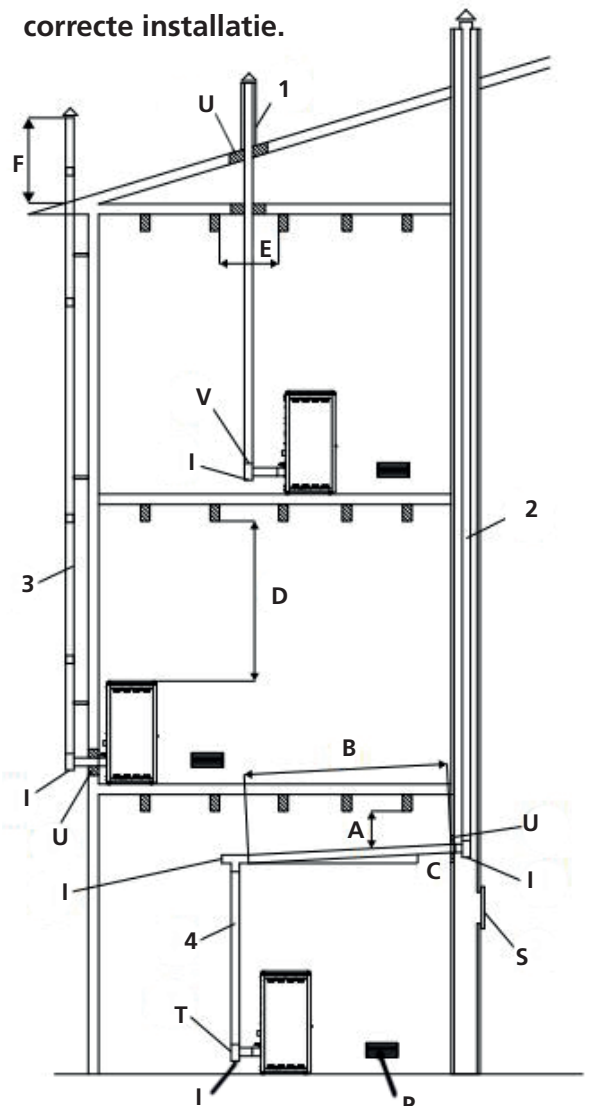
## Aansluiting met het rookkanaal

Voor de aansluiting van de kachel met het rookkanaal moeten geschikte leidingen (min. T200) worden gebruikt. Het gebruik van flexibele metalen buizen, vezelcement of aluminium is verboden. In de helling van het rookkanaal, die minstens 3% moet zijn, mogen geen horizontale delen aanwezig zijn, groter dan 2 meter. De eerste richtingsverandering mag slechts plaatsvinden na een verticaal stuk van minstens 1,5 meter. Aan de basis van het rookkanaal moet een opening voor inspectie zijn voorzien voor de periodieke controles. Het is verboden om meerdere toestellen op hetzelfde rookkanaal aan te sluiten. Houd het rookkanaal op voldoende afstand van brandbare of hittegevoelige elementen. Voor de in acht te nemen afstanden wordt verwezen naar de specificaties van de fabrikant.

## Aansluiting van de kanaliseringen (indien aanwezig)

Op de uitgang van de kanalisatie kan slechts één buis worden aangesloten voor elk kanaal met een diameter van 80 mm en een maximumlengte van 8 strekkende meter. Voor elke bocht van 45° moet u een verlies van één strekkende meter rekenen (bv. maximumafstand zonder bochten 8 meter; maximumafstand met een bocht van 45°  $8 - 1 = 7$  meter). Het is raadzaam om buizen met een diameter van 80 mm en met een glad binnoppervlak te gebruiken. De buizen moeten hittebestendig zijn (het gebruik van minstens één T200 is aanbevolen). Houd ze uit de buurt van ontvlambare en/of brandbare voorwerpen (minstens 50 cm) en van gordijnen of meubels.

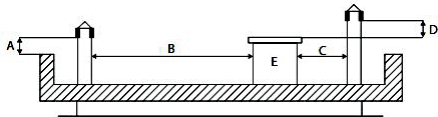
## Voorbeeld van een correcte installatie.



A = MINIMUM 40 mm	E = DIAMETER GAT	I = INSPECTIEDOP
B = MAXIMUM 4 m	F = ZIE AFB. 2-3-4-5-6	S = INSPECTIEDEUR
C = MINIMUM 3°	U = ISOLEREND	P = LUCHTOPENING
D = MINIMUM 400 mm	V = EVENTUELE MINDERING VAN 100 NAAR 80 mm	T = T-KOPPELING MET INSPECTIEDOP

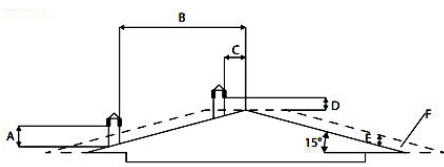
De opening voor de rookafvoer moet minstens het dubbel zijn van de doorsnede van het rookkanaal en binnendringen van sneeuw en dieren moet worden voorkomen. De rookuitlaat in de atmosfeer moet buiten het terugstroomgebied liggen, veroorzaakt door de vorm van het dak en/of obstakels die zich in de buurt bevinden. Schenk aandacht aan dakramen en mansardedaken.

## VLOERENDE ROOF



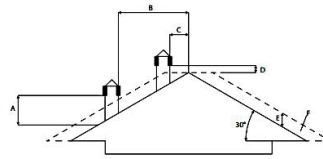
- A = MIN. 0,50 m
- B = AFSTAND > 2,00 m
- C = AFSTAND < 2,00 m
- D = 0,50 m
- E = TECHNISCH VOLUME

## 15° ROOF



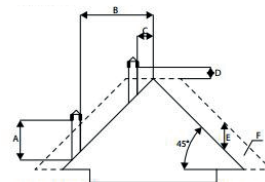
- A = MIN. 1,00 m
- B = AFSTAND > 1,85 m
- C = AFSTAND < 1,85 m
- D = 0,50 m OVER DE KOLMO
- E = 0,50 m
- F = REFLUX ZONE

## 30° ROOF



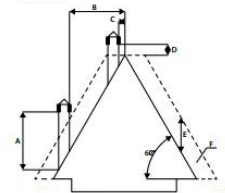
- A = MIN. 1,30 m
- B = AFSTAND > 1,50 m
- C = AFSTAND < 1,50 m
- D = 0,50 m OVER DE KOLMO
- E = 0,80 m
- F = REFLUX ZONE

## 45° ROOF



- A = MIN. 2,00 m
- B = AFSTAND > 1,30 m
- C = AFSTAND < 1,30 m
- D = 0,50 m OVER DE KOLMO
- E = 1,50 m
- F = REFLUX ZONE

## 60° ROOF



- A = MIN. 2,60 m
- B = AFSTAND > 1,20 m
- C = AFSTAND < 1,20 m
- D = 0,50 m OVER DE KOLMO
- E = 2,10 m
- F = REFLUX ZONE

## De poten van de kachel aanpassen



De kachel wordt geleverd met vastgeschroefde voetjes. Vóór de installatie moeten de voetjes worden losgeschroefd zodat er een ruimte van 2 cm is tussen de vloer en de kachel.

**DEZE HANDELING IS VERPLICHT OM DE GOEDE WERKING VAN DE KACHEL TE GARANDEREN.**



## Pellets laden

De brandstof wordt aan de bovenzijde van de kachel geladen door de deur te openen. Giet de pellets in het reservoir; Het gaat gemakkelijker indien u dit uitvoert in twee stappen:

- Giet de helft van de zak in het reservoir en wacht tot de brandstof op de bodem zakt.
- Giet er vervolgens de tweede helft in;
- Na het vullen met pellets, het deksel van het brandstofreservoir gesloten houden;
- Alvorens de deur te sluiten, ervoor zorgen dat geen pelletresten rond de afdichting aanwezig zijn.

Reinig zorgvuldig zodat de afdichting niet wordt beschadigd. De kachel is een verwarmingselement, de buitenkant kan dus zeer heet worden.

Daarom moet u uiterst voorzichtig handelen, in het bijzonder:

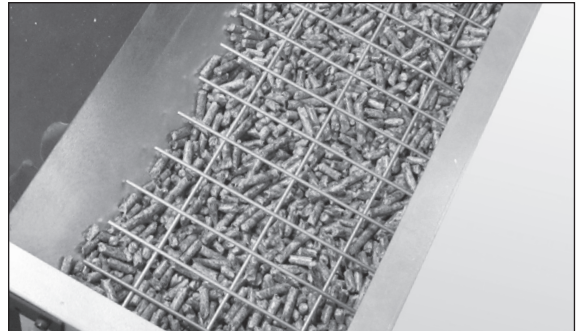
- Raak de behuizing, de onderdelen en de deur van de kachel niet aan om brandwonden te vermijden;
- Vermijd de rookgassen;
- Geen reinigingen uitvoeren;
- De as niet weggooien;
- De asla niet openen;
- Zorg ervoor dat kinderen uit de buurt blijven;

### ALLEEN VOOR HERMETISCH AFGESLOTEN KACHELS.

Om een luchtdichte afdichting te garanderen, moet de sponning van de deurpakking eerst worden gereinigd.



**Verwijder nooit het beschermrooster in het reservoir. Let bij het vullen op dat de zak met pellets de hete oppervlakken niet raakt.**



- **Gebruik enkel houtpellets;**
- **Sla de pellets op op een droge en koele plaats;**
- **Giet de pellets nooit rechtstreeks in het vuur;**

- **Voor de elektrische aansluiting van de kachel, moeten de rookbuizen met het rookkanaal aangesloten worden;**
- **Het beschermrooster in het pelletreservoir mag nooit verwijderd worden**
- **In de omgeving waarin de kachel wordt geïnstalleerd, moet een goede luchtverversing mogelijk zijn;**
- **Het is verboden om de kachel in werking te stellen als de deur open is of het glas is gebroken;**
- **De kachel niet als een verbrandingsoven gebruiken; de kachel mag uitsluitend gebruikt worden voor het doel waarvoor hij werd ontworpen;**
- **Elk ander gebruik wordt als oneigenlijk en gevaarlijk beschouwd. Giet niets anders dan houten pellets in de pellettank.**
- **Als de kachel aan is, worden de oppervlakken, het glas, de hendel en de buizen zeer heet: raak deze delen niet zonder enige bescherming aan;**
- **Houd de brandstof en ontvlambare materialen uit de buurt van de kachel.**


## Pellet

Pellets zijn cilinders van geperst hout van zaagsel uit de houtverwerking (chips en zaagsel), geproduceerd door zagerijen en timmerlieden. Het product wordt compact zonder dat additieven en chemische stoffen worden toegevoegd dankzij de lignine, een bindmiddel aanwezig in het hout, waardoor een natuurlijke brandstof met een hoog rendement wordt verkregen. Het gebruik van vervallen pellets of ander ongeschikt materiaal kan leiden tot beschadiging van kachelonderdelen en een slechte werking: de garantie zal in dit geval vervallen en de fabrikant zal niet meer aansprakelijk zijn. Na beoordeling van het vermogen van de vloer kan in de installatieruimte maximaal 1,5 mc brandstof worden gestort, wat overeenkomt met ongeveer 975 kg aan pellets.

**Gebruik voor onze producten pellets met een diameter van 6 mm, een lengte van 30 mm, maximale vochtigheid van 8% en een EN Plus A1-certificaat bij voorkeur SK002 in overeenstemming met de norm UNI EN ISO 17225-2. Bewaar de pellets uit de buurt van warmtebronnen en niet in een vochtige of explosieve omgeving.**

# Start kachel

## Eerste ontsteking van de kachel

- Alvorens de kachel in te schakelen, controleren of het rooster schoon is en geen resten aanwezig zijn van vorige verbrandingen. Anders legen en reinigen.
- Vul ongeveer 3/4 van het reservoir met de pellets, aanbevolen door de fabrikant.
- Sluit de kachel aan op een stopcontact met de meegeleverde kabel
- Druk op de lichtschaakelaar op de achterzijde van de kachel
- Op de bovenste display verschijnt "OFF"
- Druk 2 seconden op de toets . Na enkele ogenblikken zullen de rookafzuiger en ontstekingsweerstand starten en op het display verschijnt "FAN ACC"; De led van de ontstekingsweerstand gaat aan.
- Na 1 minuut zal op de display "LOAD WOOD" verschijnen, de kachel zal de pellets laden en de weerstand blijven ontsteken
- Zodra de geschikte temperatuur wordt bereikt, zal op de display "FIRE ON" verschijnen: dit betekent dat de kachel met de laatste fase van de inschakeling is begonnen, waarna hij volledig in bedrijf zal zijn; de led van de ontstekingsweerstand is uit
- Na enkele minuten zullen op de display afwisselend het woord "ON 1-2-3-4-5", de kamertemperatuur en het actuele bedrijfsvermogen verschijnen. De kachel is nu volledig aan.
- Wanneer de kachel de ingestelde temperatuur bereikt, zal op de display "ECO" verschijnen.
- De temperatuur-LED licht op wanneer de ingestelde temperatuur is bereikt.



**Verwijder al het verpakkingsmateriaal van de deur en uit de haard van de kachel. Het zou kunnen verbranden (gebruiksaanwijzing en verschillende labels).**



**Voor elke inschakeling moet de vuurpot gereinigd worden.**



**Voor het aansteken kan een kleine hoeveelheid rook de verbrandingskamer vullen.**




**VOOR DE SPECIALIST TECHNICUS: Aan het einde van de installatie moet u de gebruiker mondeling instrueren over het correcte gebruik en onderhoud van de kachel.**



**Wij adviseren u om contact op te nemen met ons erkend service center voor de installatie en de eerste ontsteking van het apparaat daar de bevoegde technici naast een perfecte installatie, het regelmatig bedrijf van de kachel zullen controleren. Bij de eerste inschakeling moet u ervoor zorgen dat de omgeving goed wordt geventileerd gedurende de eerste bedrijfsuren omdat zich onaangename geuren kunnen ontwikkelen door de fysieke stabilisatie van de verf en het vet in de pijpbundel.**

## Uitschakeling kachel :

Om de kachel uit te schakelen op het besturingspaneel op de toets  drukken tot de tekst " OFF" op de display verschijnt. Nadat de kachel werd uitgeschakeld, blijft de ventilator een ingestelde tijd werken om de rookgassen snel uit de verbrandingskamer te verwijderen.

Indien uw model een afstandsbediening heeft, hoeft u deze enkel uit te schakelen door de toets 2 seconden ingedrukt te houden en dit te bevestigen door op de toets SEND te drukken.

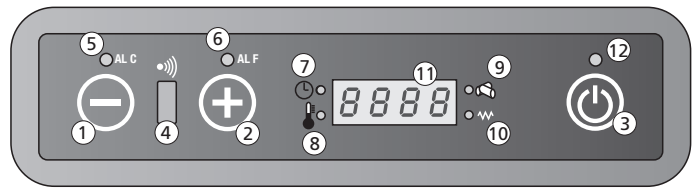
Als u tijdens deze fase de kachel probeert in te schakelen, zal op de display "ATTE" verschijnen (hetgeen koeling afwachten betekent) om u te informeren dat een uitschakelingsfase in uitvoering is. Wacht tot de koelfase is afgerond en op de display "OFF" verschijnt alvorens een nieuwe inschakeling te starten.

## OPMERKINGEN :

- De kachel niet voortdurend in- en uitschakelen daar dit vonken kan veroorzaken die de levensduur van de elektrische componenten kunnen beperken.
- Raak de kachel niet aan met vochtige handen: de kachel bezit elektrische onderdelen die vonken kunnen veroorzaken indien ze niet juist worden behandeld. Uitsluitend erkende technici kunnen de stringen oplossen.
- Geen schroeven uit de verbrandingskamer verwijderen zonder ze eerst goed te smeren.
- Open nooit de glazen deur van de pelletkachel terwijl de kachel werkt.
- Controleer of de korf van de vuurpot correct is geplaatst.
- Het rookafvoersysteem moet kunnen geïnspecteerd worden. Indien het niet kan verwijderd worden, moeten openingen aanwezig zijn voor de inspectie en reiniging.

## Display toetsen en functies

1. Temperatuur- of stroomafname
2. Temperatuur- of stroomtoename
3. On/Off knop
4. Ontvanger
5. Led ALC alarm
6. Led ALF alarm
7. Led chrono-thermostaat
8. Led temperatuur ok
9. Led pellets laden
10. Led weerstand
11. Display LED 7 segmenten
12. Led On/Off



### 1. Temperatuur- of stroomafname

Via de toets in het menu Temperatuurinstelling kunt u de temperatuur doen afnemen van een maximumwaarde van 40 ° C tot een minimumwaarde van 7 ° C.

Via de toets in het menu Vermogeninstelling, kunt u het bedrijfsvermogen doen afnemen van een maximumwaarde van 5 tot een minimumwaarde van 1.

### 2. Temperatuur- of stroomtoename

Via de toets in het menu Temperatuurinstelling kunt u de temperatuur doen toenemen van een minimumwaarde van 7 ° C tot een maximumwaarde van 40 ° C.

Via de toets in het menu Vermogeninstelling, kunt u het bedrijfsvermogen doen toenemen van een minimumwaarde van 1 tot een maximumwaarde van 5.

### 3. On/Off knop

Om de kachel in of uit te schakelen de drukknop 2 seconden ingedrukt houden.

### 4. Ontvanger

Sensor die de instellingen van de afstandsbediening ontvangt.

### 5. Led ALC alarm

De led knippert in geval van een een storing of een alarm.

### 6. Led ALF alarm

De led knippert in geval van een een storing of een alarm.

### 7. Led chrono-thermostaat

Dit betekent dat de automatische enkelvoudige of dagelijkse programmering van de in- of uitschakeling van de kachel op on staat.

De automatische programmering kan enkel met de afstandsbediening ingesteld worden (optie).

### 8. Led temperatuur ok

Gaat aan wanneer de kachel de ingestelde temperatuur bereikt. In dit geval verschijnt het woord "Eco" en de ingestelde temperatuur op de display.

### 9. Led pellets laden

Deze led knippert telkens de kachel pellets laadt.

### 10. Led weerstand

Deze led brandt enkel wanneer de kachel wordt ingeschakeld om aan te duiden dat de weerstand de lucht aan het opwarmen is die de pellets zal ontsteken.

### 11. Display LED 7 segmenten

Op de display kunt u de verschillende bedrijfsfuncties van de kachel aflezen, de kamertemperatuur en het ingestelde bedrijfsvermogen. Bij storingen toont de display de relatieve foutcodes (zie paragraaf m.b.t. de alarmcodes).

### 12. Led On/Off

Deze led toont de verschillende fases van de kachel:

- hij brandt als de kachel is ingeschakeld en werkt
- hij brandt niet als de kachel is uitgeschakeld
- hij knippert als de kachel is uitgeschakeld

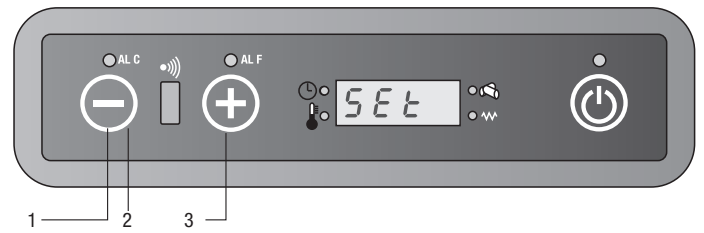


## Kachelinstellingen

### Hoe de gewenste kamertemperatuur bereiken

Volg de onderstaande procedures om de temperatuur te wijzigen: druk een keer op de toets  $\ominus$  (1) om het menu te openen en stel de temperatuur in. Het woord "Set" en de gewenste temperatuur verschijnen op de display. Gebruik de toetsen  $\ominus$  (2) en  $\oplus$  (3) voor de toename of afname van de waarde.

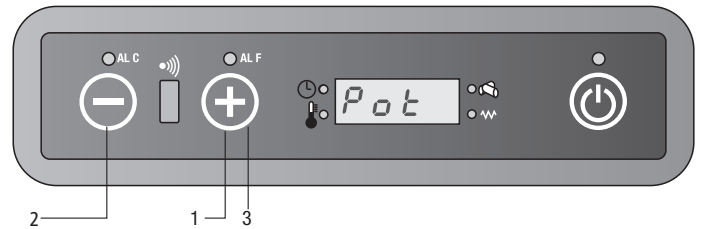
Het instellingsmenu zal automatisch afgesloten worden als het een paar seconden niet meer wordt gebruikt.



### Hoe het bedrijfsvermogen wijzigen

Volg de onderstaande procedure om het bedrijfsvermogen te wijzigen: druk een (1) keer op de toets  $\oplus$  om het menu te openen en stel het bedrijfsvermogen in. Het woord "Pot" zal verschijnen en een reeks van 5 mogelijke vermogens. Gebruik de toetsen  $\ominus$  (2) en  $\oplus$  (3) voor de toename of afname van de waarde.

Het menu voor de instelling van het bedrijfsvermogen zal automatisch afgesloten worden als het een paar seconden niet meer wordt gebruikt.



# NL Afstandsbediening (optioneel)

## Toetsen en hoofdfuncties

De afstandsbediening kan gebruikt worden om de kachel te controleren. De afstandsbediening verstrekt bepaalde functies die niet beschikbaar zijn op het toetsenbord, zoals de automatische programmering van de in- en uitschakeling van de kachel.

Hoe de afstandsbediening gebruiken:

1. Richt de afstandsbediening op het besturingspaneel van de kachel.
2. Controleer of geen obstakels aanwezig zijn tussen de afstandsbediening en de ontvanger op de kachel.
3. Elke functie die wordt ingesteld via de afstandsbediening moet bevestigd worden via de SEND toets.

**Nadat de gewenste functie werd geselecteerd, zal een geluidsignaal uw keuze bevestigen.**



### On/Off

Deze functie wordt gebruikt om de kachel en de afstandsbediening in of uit te schakelen. Houd de toets minstens twee seconden ingedrukt om het systeem in of uit te schakelen. Druk vervolgens op de toets SEND.



De twee toetsen kunnen gebruikt worden om de temperatuur tussen de min. waarde van 7°C en de max. waarde van 40°C in te stellen.



Volg onderstaande procedure om de werkwijze in te stellen:

- Automatische werking
- vermogen 1 (aan1)
- vermogen 2 (aan2)
- vermogen 3 (aan3)
- vermogen 4 (aan4)
- vermogen 5 (aan5)



### SEND

Gebruik deze toets om de gekozen informatie naar de printkaart over te dragen.



### ECONO

Deze toets activeert of deactiveert de ECONO functie. Houd de toets minstens twee seconden ingedrukt om deze functie te activeren of deactiveren.



### TURBO

Deze toets activeert of deactiveert de TURBO functie. Houd de toets minstens twee seconden ingedrukt om deze functie te activeren of deactiveren.



**KLOK FUNCTIE**

Volg onderstaande procedure om de klok functie op de afstandsbediening in te stellen:

- druk op het symbool en de tijd zal knipperen.
- gebruik de toetsen en om de uren en minuten in te stellen.
- druk opnieuw om te bevestigen en SEND om de functie naar de printkaart over te dragen.

**ON1**

Met behulp van deze toets kunt u een afzonderlijk tijdschema voor de automatische inschakeling van de kachel instellen (programma 1).

**OFF1**

Met behulp van deze toets kunt u een afzonderlijk tijdschema voor de automatische uitschakeling van de kachel instellen (programma 1).

**ON2**

Met behulp van deze toets kunt u een afzonderlijk tijdschema voor de automatische inschakeling van de kachel instellen (programma 2).

**OFF2**

Met behulp van deze toets kunt u een afzonderlijk tijdschema voor de automatische uitschakeling van de kachel instellen (programma 2).

**AUTO**

Via deze toets kunt u de geprogrammeerde in- en uitschakeling elke dag herhalen (programma 1 en 2). De AUTO toets activeert deze functie.

Houd de toets minstens twee seconden ingedrukt om deze functie te activeren of deactiveren.

**WISSEN**

Gebruik de CANCEL toets indien u een geprogrammeerde in- of uitschakeling van de kachel wilt wissen.

**VERGRENDEL / ONTGRENDEL KNOP**

Houd de toets minstens 2 seconden ingedrukt om deze functie te activeren / deactiveren.  
(Niet beschikbaar op LCD 2)

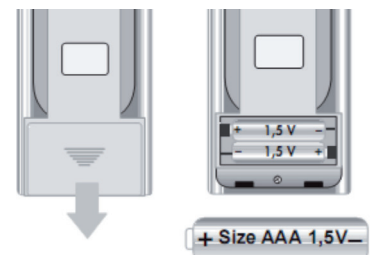
**SLEEP**

Activeert de SLEEP-functie. Met deze functie kan het temperatuurinstelpunt een uur na het verzenden van het commando automatisch met 1 °C worden verlaagd. (Niet beschikbaar op LCD 2)


**Vervang de batterijen van de afstandsbediening**


Als de batterijen van de afstandsbediening moeten vervangen worden, het deksel verwijderen zoals aangeduid op de afbeelding. Vervang de oude batterijen door nieuwe en neem de polariteit + en - in acht.

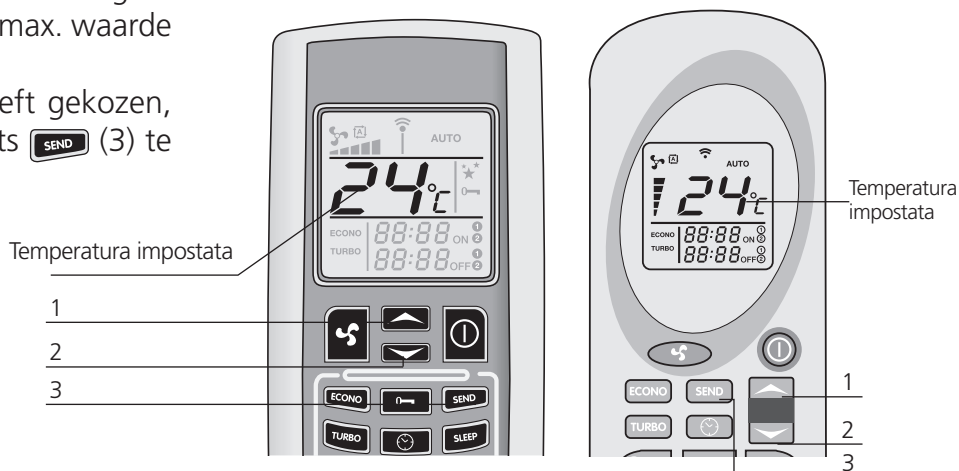
De vereiste batterijen zijn AAA, 1,5 V.




## De temperatuur wijzigen

De temperatuur kan via de toetsen  (1) en  (2) gewijzigd worden. Het temperatuurbereik gaat van een min. waarde van 7°C tot een max. waarde van 40°C.

Eens u de gewenste temperatuur heeft gekozen, uw keuze bevestigen door op de toets  (3) te drukken.



## Vermogen veranderen

Druk op de toets  (1) om het vermogen van de kachel te kiezen. De markeringen (2) op het scherm van de afstandsbediening geven de vijf mogelijke vermogens aan. Druk op de toets SEND (3) om uw keuze te bevestigen. Op het besturingspaneel van de kachel verschijnen de woorden on1-on2-on3-on4-on5 en de kamertemperatuur, in overeenstemming met het gekozen vermogen.

U kunt ook de automatische functie kiezen. Raadpleeg de paragraaf m.b.t. de Automatische Power Functie om na te gaan hoe de kachel in deze modus werkt.

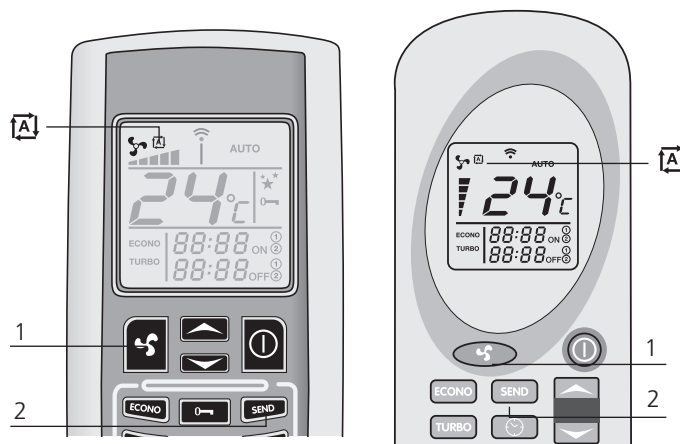


## Automatische power functie

Voor deze functie op de toets  (1) drukken tot het symbool  op de display verschijnt. Druk op SEND (2) om uw keuze over te dragen. Het woord "Auto" en de kamertemperatuur zullen op het besturingspaneel van de kachel verschijnen.

Als deze modus wordt gekozen, zal de printplaat het bedrijfsvermogen automatisch regelen, in overeenstemming met het verschil tussen de ingestelde temperatuur en de temperatuur, gevoeld door de sensor, aanwezig op de achterzijde van de kachel.

Druk nogmaals op , kies het gewenste vermogen en druk op SEND om terug te gaan naar de normale werking.



## TURBO functie

Deze functie werd ontwikkeld voor het geval de kamer snel moet opgewarmd worden, bv. wanneer u de kachel juist hebt ingeschakeld. Als deze functie wordt gekozen, zal de kachel gedurende dertig minuten op het max. vermogen werken en de temperatuur zal automatisch op 30°C ingesteld worden. Na dertig minuten (of eerder indien u andere keuzes uitvoert op de afstandsbediening) zal de kachel opnieuw zoals voordien werken, voor de inschakeling van de turbofunctie. Houd de TURBO (1) toets minstens twee seconden ingedrukt om deze functie te activeren. Het woord "TURBO" (2) zal op de display van de afstandsbediening verschijnen. De temperatuurinstelling en het bedrijfsvermogen zullen verdwijnen. Druk op SEND (3) om de keuze aan de printkaart over te dragen. Het woord "Turb" zal op het besturingspaneel bovenaan de kachel verschijnen. Dit woord zal samen met de kamertemperatuur en het bedrijfsvermogen verschijnen, ingesteld voor de activering van de TURBO functie. Indien u deze functie wilt deactiveren voor dat dertig minuten zijn verstreken, opnieuw minstens twee seconden op de TURBO toets (1) drukken. Het woord TURBO zal van de display van de afstandsbediening verdwijnen en de ingestelde temperatuur en het bedrijfsvermogen zullen opnieuw weergegeven worden. Druk op de toets SEND (3) om uw keuze te bevestigen.



## ECONO functie

De ECONO functie werd ontwikkeld om geld uit te sparen en wordt gebruikt wanneer de temperatuur in de kamer constant moet blijven. Via deze functie neemt het bedrijfsvermogen van de kachel om de 10 minuten af tot het vermogen 1 wordt bereikt. Houd de ECONO (1) toets minstens twee seconden ingedrukt om deze functie te activeren. Het woord "ECONO" (2) zal op de display van de afstandsbediening verschijnen. De temperatuurinstelling en het bedrijfsvermogen zullen verdwijnen. Druk op SEND (3) om de keuze aan de printkaart over te dragen. Het woord "Econ" zal op het besturingspaneel bovenaan de kachel verschijnen. Dit woord zal samen met de kamertemperatuur en het bedrijfsvermogen verschijnen, ingesteld voor de activering van de ECONO functie. Om terug te keren naar de standaardfunctie, minstens twee seconden opnieuw op de ECONO toets (1) drukken. Het woord ECONO zal van de display van de afstandsbediening verdwijnen en de ingestelde temperatuur en het bedrijfsvermogen zullen opnieuw weergegeven worden. Druk op de toets SEND (3) om uw keuze te bevestigen.




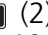

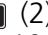




- De tijd van de automatische in- en uitschakeling moet ingesteld worden als de afstandsbediening uit is ;
- In geval van een kort stroomgebrek zult u de ingestelde tijd voor de automatische in- of uitschakeling verliezen. Zodra weer stroom aanwezig is, de kachel opnieuw via de afstandsbediening programmeren;
- Bij de inschakeling op het geplande tijdstip behoudt de kachel dezelfde temperatuur en hetzelfde vermogen als ingesteld voor de laatste uitschakeling;
- Een interval van 20 minuten is vereist tussen een uitschakeling en een daaropvolgende inschakeling van de kachel. Op deze wijze heeft de kachel de tijd om een volledige koelfase uit te voeren; als geen rekening wordt gehouden met dit interval zal de kachel niet zoals gepland ingeschakeld worden.

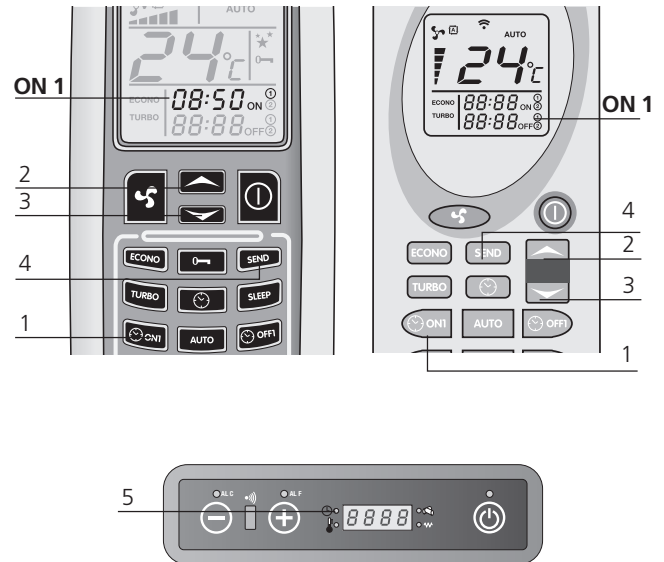
## Programma 1 (ON1 en OFF1)

### Automatische inschakeling ON1


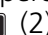

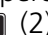

Volg de onderstaande procedure om de tijd voor de automatische inschakeling in te stellen, in overeenstemming met het programma 1:


Druk op de toets  (1). U zult de uren, minuten en het symbool ON1 zien knipperen op de afstandsbediening. Gebruik de toetsen  (2) en  (3) om de tijd te wijzigen (intervallen van 10 minuten). Om de tijd sneller te rollen, de toetsen  (2) en  (3) ingedrukt houden. Bevestig uw keuze door opnieuw op de toets  (1) te drukken.

U zult nu de ingestelde inschakelingstijd kunnen aflezen op de afstandsbediening. Druk op SEND (4) om uw keuze over te dragen naar de printkaart van de kachel. De LED chrono-thermostaat op het besturingspaneel zal aangaan om aan te geven dat de programmering actief is (5).



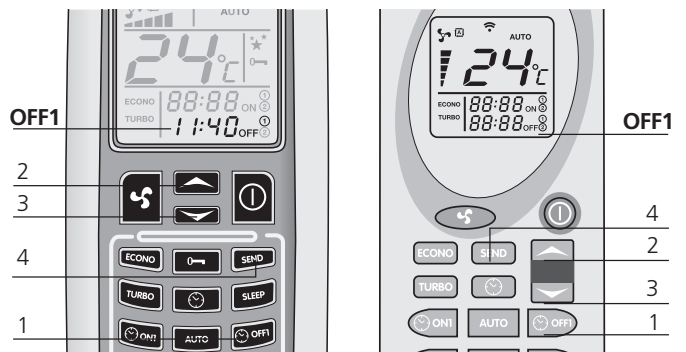
### Automatische uitschakeling OFF1

Druk op de toets  (1). U zult de uren, minuten en het symbool OFF1 zien knipperen op de afstandsbediening. Gebruik de toetsen  (2) en  (3) om de tijd te wijzigen (intervallen van 10 minuten). Om de tijd sneller te rollen, de toetsen  (2) en  (3) ingedrukt houden.

Bevestig uw keuze door opnieuw op de toets  (1) te drukken. U zult nu de ingestelde uitschakelingstijd kunnen aflezen op de afstandsbediening. Druk op SEND (4) om uw keuze over te dragen naar de printkaart van de kachel. De LED chrono-thermostaat op het besturingspaneel zal aangaan om aan te geven dat de programmering actief is (5).

De LED chrono-thermostaat zal uitgaan zodra de automatische in- en uitschakeling afgerond is.

De afstandsbediening geeft het eerder ingestelde tijdschema niet meer weer.



## Programma 2 (ON2 en OFF2)

Zoals boven maar met de toetsen ON2 en OFF2

Wis eventueel reeds ingestelde tijdschema's.

Volg onderstaande procedure om reeds ingestelde tijdschema's te wissen. Dit voorbeeld verwijst naar de automatische uitschakeling van het programma 1 (Off1). Dezelfde procedure geldt voor alle schema's.

Druk op de toets die overeenstemt met de in- of uitschakelingstijd die u wilt wissen. Met referentie naar het voorbeeld: druk op de toets **OFF1** (1). U zult de uren, minuten en het symbool OFF1 zien knipperen op de display van de afstandsbediening. Druk nu op de toets "CANCEL" (2) om de tijdschema's voor automatische in- en uitschakeling van de display te wissen. Druk op de toets SEND (3) om uw keuze te bevestigen en over te dragen naar de printkaart van de kachel.

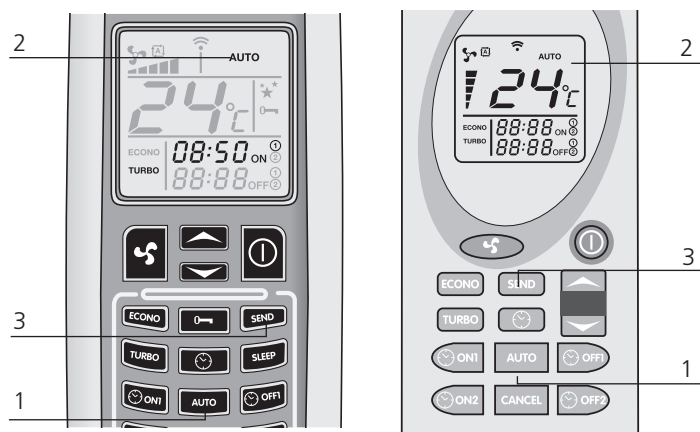


## AUTO dagelijks herhalen


Door het gebruik van de functie AUTO kunt u de afzonderlijke automatische in- en uitschakelingen herhalen, die u elke dag hebt gekozen.

U hoeft enkel twee seconden op de AUTO toets (1) te drukken om de functie te activeren. Het woord "AUTO" (2) zal op de display van de afstandsbediening verschijnen. Druk op SEND (3) om uw keuze te bevestigen en over te dragen naar de printkaart van de kachel.

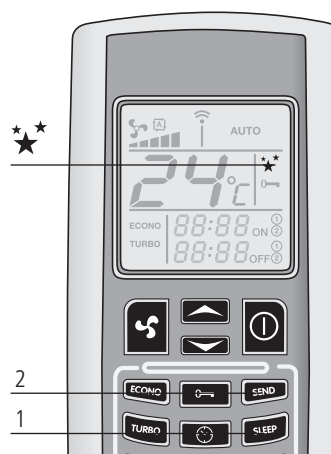
De LED chrono-thermostaat op het besturingspaneel zal aangaan om aan te geven dat de programmering actief is. U kunt de automatische herhaling op elk ogenblik deactiveren door minstens twee seconden opnieuw op de AUTO toets te drukken. Het woord AUTO zal van de display verdwijnen. Druk op SEND (3) om uw keuze te bevestigen en over te dragen naar de printkaart van de kachel.



## SLEEP functie (Niet beschikbaar op LCD 2)

De SLEEP modus is een andere besparende functie, aangezien het systeem één uur na activering automatisch de ingestelde temperatuur met 1 °C verlaagt. Om de SLEEP modus te selecteren drukt u op de SLEEP toets (1) van de afstandsbediening. Op het display van de afstandsbediening verschijnt het symbool . Druk nu op de toets SEND (2) om de instelling door te geven aan de kachel. Het bedieningspaneel zal de nieuwe situatie weergeven, waarbij het woord "SLEE" wordt afgewisseld met het werkingsvermogen van de kachel. U kunt de SLEEP-modus op elk moment deactiveren door opnieuw op de SLEEP-toets te drukken en vervolgens op de SEND-toets om opdrachten te verzenden.

**Opmerking: Indien de kachel op "Auto"-vermogen werkt, kan de slaapstand niet worden geactiveerd.**



Reinig steeds de vuurpot voor met een automatische inschakeling te beginnen. Vermijd aldus mislukte startpogingen om schade aan de kachel en de omgeving te voorkomen.



# Alarmsignalen

Bij een storing zal het systeem de gebruiker informeren over het type opgetreden fout. De volgende tabel geeft een overzicht van de alarmen, het type storing en de mogelijke oplossing:

## No acc

dit alarm verschijnt wanneer de tijd voorzien voor een ontsteking (ong. 15 minuten) verstreken en de rooktemperatuur is nog te laag is. Dit kan ook optreden wanneer er niet genoeg pellets toestromen voor de ontsteking van de kachel. Druk op de toets On/Off op het besturingspaneel om het alarm te resetten. Wacht tot de koelfase is afgerond, reinig de vuurpot en start een nieuwe inschakeling.

## No fire

dit alarm treedt op indien de kachel tijdens de bedrijfsfase uitgaat (bv. als er geen pellets meer in de pellettank zijn). Het bericht "Alarm No fire" verschijnt op het display. Druk op de toets On/Off op het besturingspaneel om het alarm te resetten. Wacht tot de koelfase is afgerond, reinig de vuurpot en start een nieuwe inschakeling.

## Cool fire

in geval van een kort stroomgebrek gaat de kachel uit. Zodra weer stroom wordt toegevoerd, zal de kachel een koelcyclus starten en op de display zal de tekst "Cool fire" verschijnen. Nadat de koelcyclus is afgerond, zal de kachel opnieuw starten.

**OPMERKINGEN:** Indien uw kachel een afstandsbediening heeft en een stroomonderbreking optreedt, mag u niet vergeten dat u de eventuele in- en uitschakelingstijden opnieuw moet programmeren. Bij stroomgebrek zullen alle vorige tijdstellingen verloren gaan.

**Als de stroomtoevoer is hersteld, op de SEND toets van de afstandsbediening drukken om de automatische programmering, die u eerder instelde, naar de kachel te zenden.**

## Fan fail

dit alarm treedt op als de rookuitstoter stuk is of als de printplaat de snelheid van de rookventilator niet kan detecteren.

In dit geval op de toets On/Off drukken om het alarm te resetten en contact opnemen met de technische ondersteuning.

## Dep Sic fail

dit alarm wordt gesignaleerd door de leds **ALF** en **ALC** die op het besturingspaneel knipperen.

Dit geeft twee mogelijkheden aan: een verstopping van het rookkanaal of een oververhitting van de kachel. In beide gevallen stopt de reductiemotor van de eindeloze schroef en wordt de kachel uitgeschakeld. Druk op de toets On/Off om het alarm te resetten. Controleer of de thermostaat, op de achterzijde van de kachel, handmatig werd gereset (3). Schroef de veiligheidsdop los en druk op de toets.

Als de storing meermaals optreedt, contact opnemen met de technische ondersteuning.

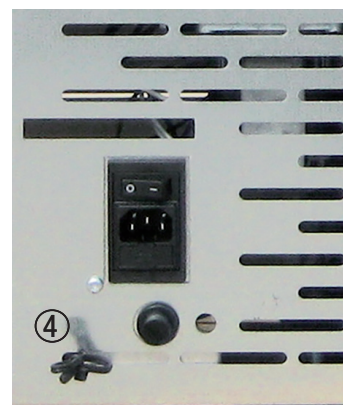
## Sond fumi

dit alarm treedt op als de sensor van de rooktemperatuur stuk of niet aangesloten is. De tekst **Alarm Son fumi** zal op de display verschijnen. In dit geval op de toets On/Off drukken om het alarm te resetten en contact opnemen met de technische ondersteuning.

## Serv

het signaal "Serv" op de display betekent dat de kachel 1200 bedrijfsuren heeft bereikt. Neem contact op met een erkend service center om een extra reinigingsbeurt te bespreken.

1. Toets brandt
2. Zekering F4AL250V
3. Resettoets thermostaat
4. Omgevingsensor



Die Kontrolloperationen müssen vom Benutzer durchgeführt werden. Führen diese nicht zu einer Lösung, kontaktieren Sie den technischen Kundendienst.

# Onderhouden reiniging van de kachel

Neem de volgende voorzorgsmaatregelen voordat u onderhoud aan de kachel uitvoert:

- Zorg ervoor dat alle delen van de kachel koud zijn;
- Zorg ervoor dat de as volledig is gedoofd;
- zorg ervoor dat de hoofdschakelaar in de uit-stand staat;
- haal de stekker uit het stopcontact en vermijd zo onbedoelde contacten;
- controleer zodra de onderhoudsfase is voltooid of alles in orde is zoals voor de interventie (de brander correct geplaatst).



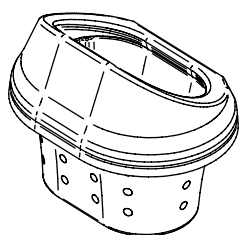
**Volg de volgende reinigingsinstructies zorgvuldig op. Niet-naleving kan leiden tot problemen bij de werking van de kachel.**

## Reinigen van vuurkorf en vuurkorfsteun

Wanneer de vlam rode tinten aanneemt of zwak is, vergezeld van zwarte rook, betekent dit dat er asafzettingen of incrustaties zijn die de juiste werking van de kachel niet mogelijk maken en die moeten worden verwijderd.

Verwijder elke dag het rooster door het eenvoudigweg van zijn plaats te tillen; verwijder vervolgens as en eventuele korstvorming, en let er vooral op dat u de verstopte gaten vrijmaakt met een puntig gereedschap (niet meegeleverd met de kachel). Deze handeling is vooral de eerste paar keer bij elke ontsteking noodzakelijk, vooral als andere dan de door de fabrikant aanbevolen pellets worden gebruikt. De frequentie van deze bewerking wordt bepaald door de gebruiksfrequentie en de keuze van de pellet.

Het is ook goed om de brandersteun te controleren door alle aanwezige as op te zuigen met een stofzuiger.



Rooster



Rooster steun

## Asla

Open de deur en verwijder alle as die zich in het asverzamelcompartiment bevindt met een stofzuiger. Deze bewerking kan meer of minder vaak worden uitgevoerd, afhankelijk van de kwaliteit van de gebruikte pellets.

## Reinigen van het glas

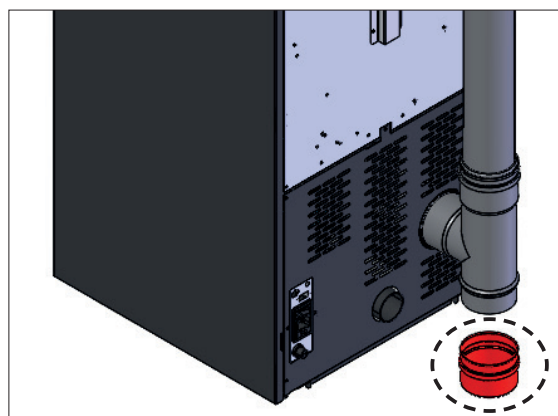
Het glas is zelfreinigend, daarom, terwijl de kachel in bedrijf is, stroomt er een sluier van lucht langs het oppervlak van dezelfde as en vuil weg; binnen een paar uur zal zich echter een grijsachtig patina vormen, dat bij de eerste sluiting van de kachel moet worden gereinigd. Het zwart worden van het glas hangt ook af van de kwaliteit en kwantiteit van de gebruikte pellets. Het glas moet worden gereinigd in een koude kachel met producten aanbevolen en getest door ons bedrijf. Let bij deze bewerking altijd op of de grijze pakking rond het glas in goede staat is; het niet controleren van de efficiëntie van deze pakking kan de werking van de kachel in gevaar brengen. Pellets van slechte kwaliteit kunnen er echter voor zorgen dat het glas zwart wordt.



**In het geval van gebroken glas, probeer niet om het fornuis aan te zetten.**

## Reinigingsaansluiting T

Elke 45 dagen is het noodzakelijk om de T-koppeling te controleren en eventueel schoon te maken.





## Oppervlakte reiniging

Gebruik voor het reinigen van oppervlakken een doek die nat is met water of hoogstens neutrale zeep en water.



**Het gebruik van agressieve reinigingsmiddelen of verdunningsmiddelen leidt tot beschadiging van de oppervlakken van de kachel. Voordat u een reinigingsmiddel gebruikt, is het raadzaam om het te proberen op een punt dat niet in zicht is of contact op te nemen met het geautoriseerde servicecentrum voor alle advies hierover.**

## Reiniging van metalen onderdelen

Om de metalen delen van de kachel schoon te maken, gebruikt u een zachte doek, bevochtigd met water. Reinig metalen onderdelen nooit met alcohol, verdunners, benzine, acetons of andere ontvettingsstoffen. In geval van gebruik van deze stoffen wijst ons bedrijf alle verantwoordelijkheid af. Eventuele veranderingen in de tinten van de metalen onderdelen kunnen te wijten zijn aan onjuist gebruik van de kachel.



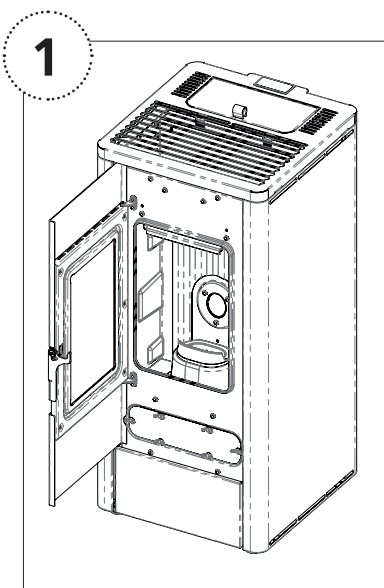
**Het is noodzakelijk om de dagelijkse reiniging van het rooster en periodieke reiniging van de aslade uit te voeren. De verminderde of gebrekkige reiniging kan er in sommige gevallen toe leiden dat de kachel niet wordt ingeschakeld met als gevolg schade aan de kachel en het milieu (mogelijke emissies van onbrandbaar en roet). Plaats de pellet die mogelijk in de vuurpijl aanwezig is vanwege niet-ontsteking niet opnieuw in de vuurpijl.**

## Buitengewoon onderhoud en reiniging van de kachel

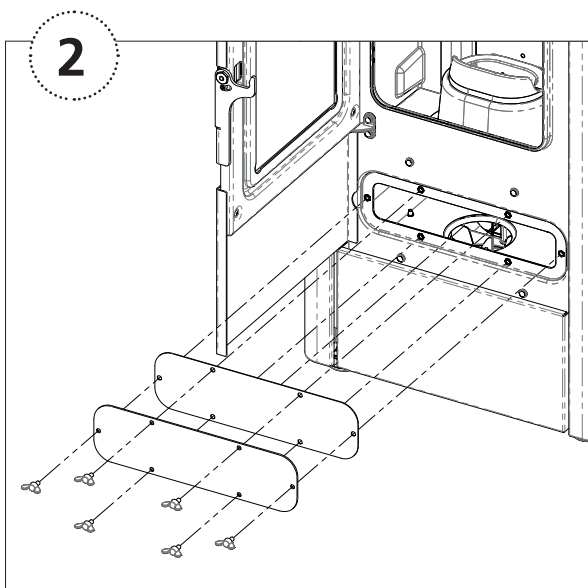
### DOOR DE GESPECIALISEERDE TECHNICUS

Jaarlijkse controle

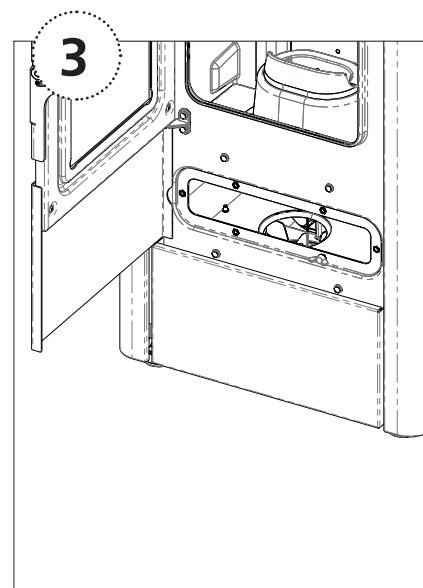
### Schoonmaken van de buizen van de warmtewisselaar



1  
Open de deur van de kachel.

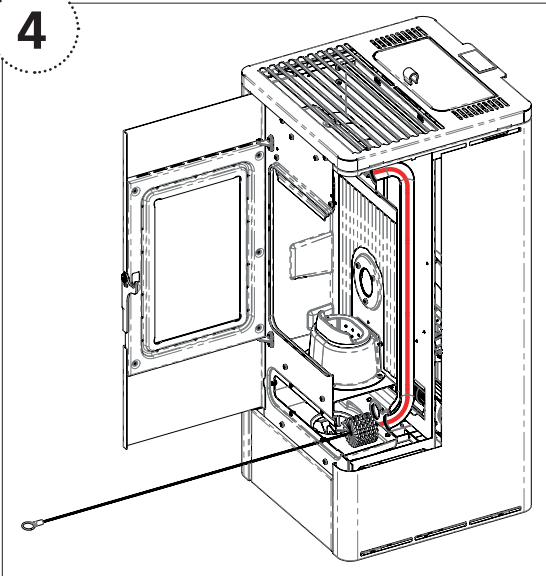


2  
Verwijder de schroeven en verwijder de inspectieklep.



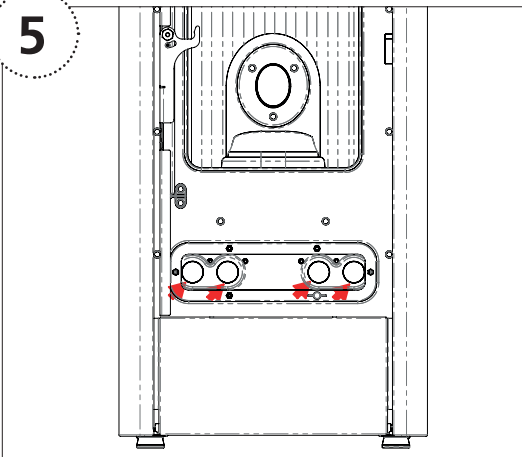
3  
Reinig het inspectiecompartiment.

4



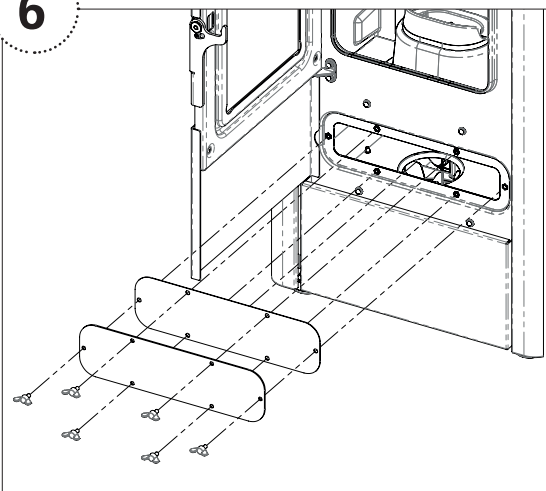
Reinig de wisselpijpen met de borstel. Om het inbrengen te vergemakkelijken, wordt aanbevolen om de punt van de borstel te buigen.

5



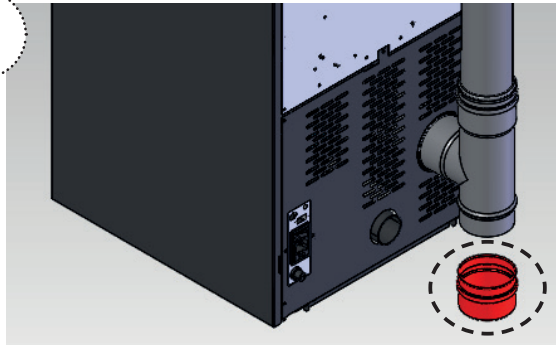
Reinig elk van de 4 gaten aangegeven door de pijlen.

6



Plaats het deksel en de pakking van de rookgasinspectie terug door de schroeven vast te draaien.

7



Verwijder de dop en reinig het T-stuk achter de kachel.

### Reiniging van het uitlaatsysteem

Totdat redelijke ervaring met bedrijfsomstandigheden is opgedaan, wordt aanbevolen dit onderhoud ten minste maandelijks uit te voeren.

- ontkoppel de voedingskabel;
- verwijder de dop van het T-stuk en ga verder met het reinigen van het kanaal; neem indien nodig, althans de eerste paar keer, contact op met gekwalificeerd personeel;
- reinig het rookafvoersysteem grondig: neem hiervoor contact op met een professionele schoorsteenveger;
- maak het gebied achter de binnenbekledingspanelen één keer per jaar schoon van stof, spinnenwebben, enz., vooral de ventilatoren.

### Reinigen van de ventilatoren

De kachel is uitgerust met ventilatoren (kamers en dampen) die zich in het onderste deel van de kachel zelf bevinden. Eventuele stof- of asafzettingen op de ventilatorbladen leiden tot een onbalans die geluid veroorzaakt tijdens het gebruik. Het is daarom noodzakelijk om de ventilatoren minstens jaarlijks schoon te maken. Aangezien deze bewerking inhoudt dat sommige delen van de kachel moeten worden gedemonteerd, moet de ventilator alleen worden gereinigd door ons geautoriseerde servicecentrum.

### Schoonmaak einde seizoen

Aan het einde van het seizoen, wanneer de kachel niet meer wordt gebruikt, wordt een nauwkeurigere en algemene reiniging aanbevolen:

- verwijder alle pellets uit de tank en de vijzel;
- reinig de vuurpot, vuurvatsteun, verbrandingskamer en aslade grondig.

Indien bovenstaande punten in acht zijn genomen, betreft dit slechts een controle van de staat van de kachel.

Het is noodzakelijk om de uitlaatpijp of het rookkanaal grondiger te reinigen en de toestand van de mand te controleren: bestel deze indien nodig bij het geautoriseerde servicecentrum. Indien nodig de deur en scharnieren smeren. Controleer ook de keramische vezelkabel in de buurt van het glas, op de binnenwand van de deur: als deze versleten of te droog is, bestel deze dan bij het geautoriseerde servicecentrum.



Alle reiniging van alle onderdelen moet worden uitgevoerd wanneer de kachel volledig koud is en wanneer de stroomstekker is losgekoppeld, om brandwonden en thermische schokken te voorkomen. De kachel vereist weinig onderhoud bij gebruik met gecertificeerde kwaliteit pellets. Het vereiste onderhoud varieert in functie van de gebruiksomstandigheden (herhaaldelijk in- en uitschakelen) en in functie van de gevraagde prestaties.

Delen	Dagelijks	Om de 2-3 dagen	Wekelijks	Om de 15 dagen	Om de 45 dagen	Jaarlijks / 1200 uren
Vuurpot	◇					
Askamer reinigen		◇				
Reiniging deur en glas		◇				
Reiniging binnenkant warmtewisselaar / kamer rookventilator						•
Volledige reiniging wisselaar						•
Reiniging "T" afvoer					◇	
Schoorsteenpijp					◇	•
Deurpakking as						•
Interne delen						•
Schoorsteenpijp						•
Elektromechanische onderdelen						•

◇ = door de gebruiker

• = door een erkend technisch servicecentrum



Om de 1200 bedrijfsuren stuurt de elektronische kaart een waarschuwingssignaal en op de display verschijnt "SERVICE". Dit betekent dat een grondige reiniging van de kachel is vereist aan de hand van een CAT. Als deze reiniging niet wordt uitgevoerd, kan dit leiden tot het falen van de kachel, een slechte verbranding en dus een lager rendement.

## Beveiliging

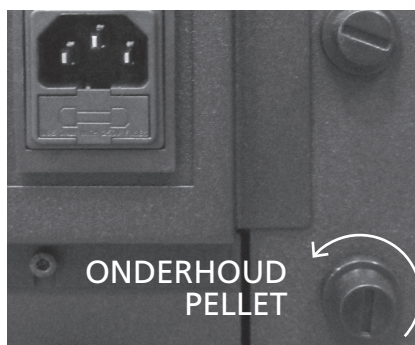


Knoeien met de veiligheidsvoorzieningen is verboden. Enkel nadat de oorzaak van de tussenkomst van het veiligheidssysteem werd geëlimineerd, kan de kachel weer ontstoken worden en kan de automatische werking van de sensor gereset worden. Om te begrijpen welke storing is opgetreden, in de handleiding de paragraaf m.b.t. de alarmen raadplegen.



### Drukschakelaar:

bewaakt depressie in het rookkanaal. Hij is ontworpen om de toevoerschroef uit te schakelen als het rookkanaal is verstopt of als aanzienlijke tegendruk door wind aanwezig is. Op het tijdstip van tussenkomst van de drukschakelaar zal **"ALAR-DEP-FAIL"** verschijnen.



### Pellets temperatuur veiligheid:

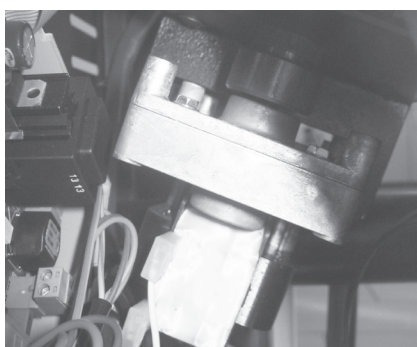
in het zeer zeldzame geval dat er een te hoge temperatuur optreedt in de kachel, zal de thermostaat met manuele reset een alarm veroorzaken **"ALAR-SIC-FAIL"** en de pelletkachel stoppen. U moet de werking van het systeem resetten via het apparaat op de achterzijde van de thermokachel.



### Elektrische veiligheid:

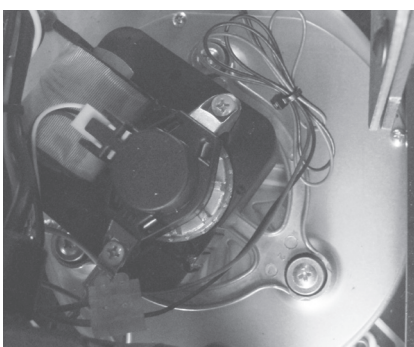
de kachel is beveiligd tegen plotse stroompieken (bv. bliksem) door middel van de hoofdzekering 4 A die zich op het besturingspaneel bevindt, op de achterzijde van de kachel. De andere zekeringen voor de bescherming van de elektronische kaarten bevinden zich op de kaarten zelf.

## Andere componenten



### Reductiemotor:

als de motor stopt, blijft de kachel werken tot de vlam uitgaat omdat brandstof ontbreekt en tot hij is afgekoeld tot op het minimumniveau.



### Sensor rookgastemperatuur:

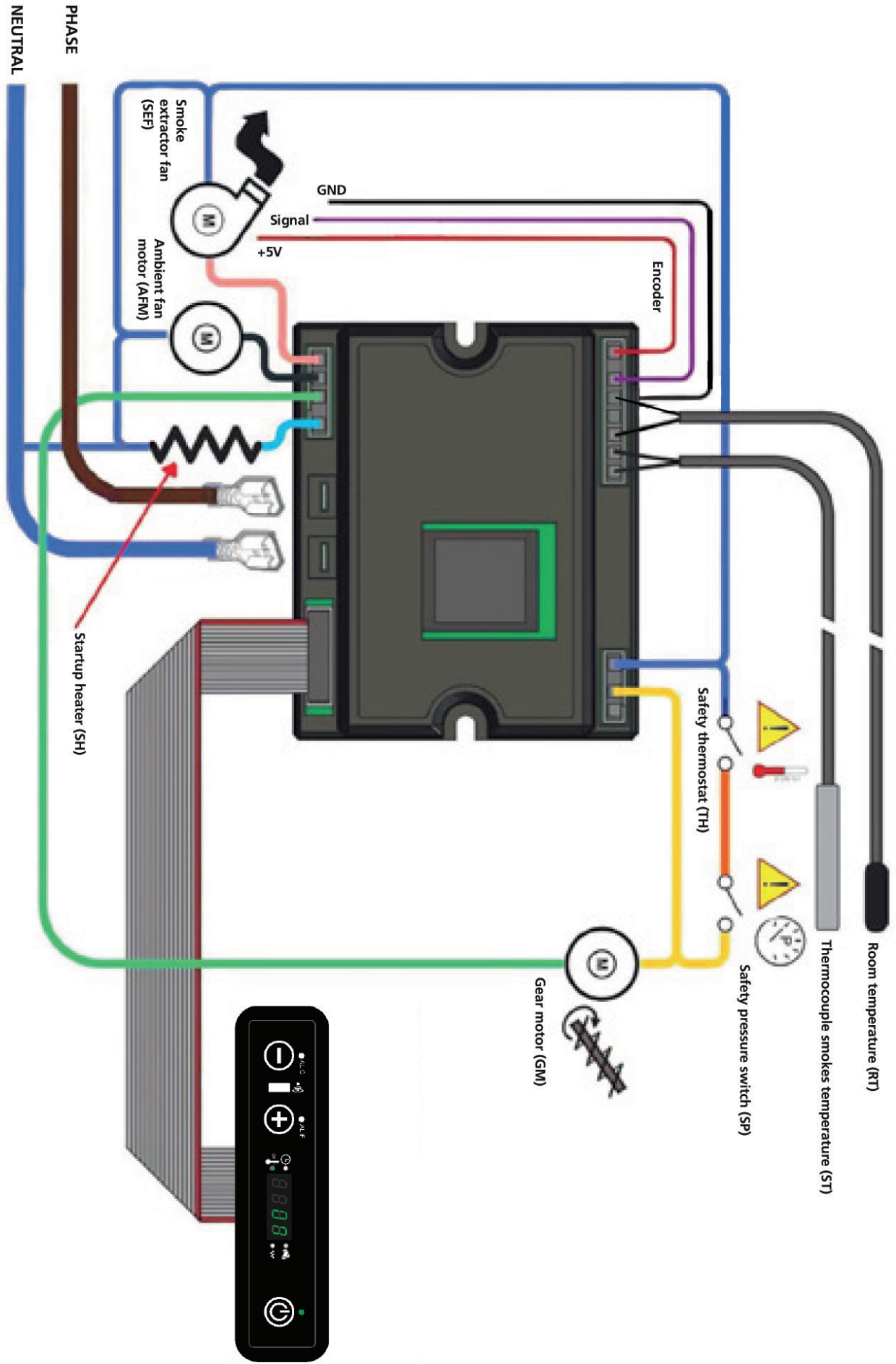
thermokoppel dat de temperatuur van de rookgassen meet tijdens de werking of de kachel uitschakelt wanneer de rookgastemperatuur onder de ingestelde waarde daalt.



### Kamerthermostaat:

de kamerthermostaat neemt de temperatuur waar, aanwezig in de kamer. Als hij waarneemt dat de kachel de ingestelde temperatuur op de display heeft bereikt, wordt de **ECO** werking ingeschakeld om brandstof te besparen. De kamerthermostaat moet zodanig geplaatst worden dat hij niet door de kacheltemperatuur kan worden beïnvloed.

# Elektrisch aansluitschema





# Storingen en oplossingen



Reparaties mogen uitsluitend door een gespecialiseerde technicus uitgevoerd worden als de kachel volkomen koud is en de stroom van de kachel werd afgesloten. Het is verboden om zonder toestemming wijzigingen aan de kachel aan te brengen en niet originele vervangingsonderdelen te gebruiken. De vetgedrukte tekst verwijst naar handelingen die door gespecialiseerd personeel moeten uitgevoerd worden.

## Storingen en oplossingen

Daar zowel de werking als de onderdelen van de kachels worden getest, betekent dit dat ze in perfecte staat worden geleverd. Vergeet niet dat het transport, het afladen, de verplaatsingen het incorrect gebruik of gebrek aan onderhoud de oorzaak kunnen zijn van schade. De algemene storingen kunnen opgelost worden via onderstaande tabel. Indien u het beschreven probleem zodoende niet heeft opgelost, moet u contact opnemen met het erkend service center.

STORING	MOGELIJKE OORZAAK	OPLOSSING
<b>Display uit en toetsen werken niet</b>	<ol style="list-style-type: none"> <li>1. Stroomstoring in het netwerk</li> <li>2. Terugschakeling uit</li> <li>3. Display defect</li> <li>4. Fout in de communicatie tussen de display en de kaart</li> <li>5. Zekering kaart onderbroken</li> <li>6. Kaart defect</li> </ol>	<ol style="list-style-type: none"> <li>1. Controleer of de kabel is aangesloten</li> <li>2. Gebruik de terugschakeling</li> <li>3. Haal de stekker uit het stopcontact en wacht een ongeveer een minuut, schakel weer in. Als het probleem blijft, contact opnemen met een erkend service center.</li> <li><b>4. Controleer of de display en de kaart goed zijn aangesloten. Contact opnemen met het erkend service center</b></li> <li><b>5. Neem contact op met een erkend service center</b></li> <li><b>6. Neem contact op met een erkend service center</b></li> </ol>
<b>Afstandsbediening niet efficiënt</b>	<ol style="list-style-type: none"> <li>1. Te ver van de kachel</li> <li>2. Geen batterij in de afstandsbediening</li> <li>3. De afstandsbediening is stuk</li> </ol>	<ol style="list-style-type: none"> <li>1. Dichter bij de kachel plaatsen</li> <li>2. Controleer en verander de batterijen</li> <li>3. Herplaats de afstandsbediening</li> </ol>
<b>Mislukte ontsteking van de kachel</b>	<ol style="list-style-type: none"> <li>1. Te veel as op rooster</li> <li>2. Verkeerde inschakelingsprocedure</li> </ol>	<ol style="list-style-type: none"> <li>1. Het rooster reinigen</li> <li>2. Herhaal de inschakelingsprocedure. <b>Als het probleem blijft, contact opnemen met het erkend service center.</b></li> </ol>
<b>Rook komt uit het rooster</b>	<ol style="list-style-type: none"> <li>1. Stroomuitval</li> </ol>	<ol style="list-style-type: none"> <li>1. Als de inschakelingsfase en de werking van de ventilator wordt onderbroken kan een kleine hoeveelheid rook ontstaan.</li> </ol>
<b>De hete lucht ventilator werkt niet</b>	<ol style="list-style-type: none"> <li>1. De kachel is nog niet opgewarmd</li> </ol>	<ol style="list-style-type: none"> <li>1. Wacht tot de ontstekingscyclus is voltooid. Als de juiste temperatuur wordt bereikt, zal de ventilator automatisch starten. <b>Als het probleem blijft, contact opnemen met het erkend service center.</b></li> </ol>



<p><b>De kachel gaat niet automatisch aan</b></p>	<ol style="list-style-type: none"> <li>1. De tank is leeg.</li> <li>2. De weerstand bereikt de temperatuur niet</li> <li>3. Weerstand beschadigd</li> <li>4. Weinig pellets vallen</li> <li>5. Storing van de motor van de schroef</li> <li>6. Het rooster staat niet op zijn plaats of is vuil</li> <li>7. Verstopping door nesten of vreemde voorwerpen in de schoorsteen of kachel</li> <li>8. Controleer de werking van de gloeibougie</li> <li>9. De aslade is niet goed gesloten</li> <li>10. Rookkanaal en schoorsteen verstopt</li> <li>11. Rookafzuiger werkt niet</li> <li>12. Storing temperatuursensor</li> <li>13. Pellets vochtig</li> </ol>	<ol style="list-style-type: none"> <li>1. Vul de tank met pellets</li> <li>2. Controleer de elektrische draden en zekeringen, vervang indien de weerstand is gebroken.</li> <li>3. Vervang de weerstand</li> <li>4. Het is aangeraden om de voeding los te koppelen voor u controleert: <ul style="list-style-type: none"> <li>- of de pellets niet in de tank verstrikken</li> <li>- of de vijzel niet door vuil is vastgelopen</li> <li>- in welke staat de afdichting van de pelletdeur verkeert</li> </ul> </li> <li><b>5. Neem contact op met een erkend service center</b></li> <li>6. Controleer of het gat in de vuurpot overeenkomt met de gloeibougie, reinig de vuurpot</li> <li>7. Verwijder vreemde voorwerpen uit de schoorsteen of het rookgaskanaal</li> <li>8. Controleer of er stroom is. Vervang de bougie indien verbrand</li> <li>9. Sluit de aslade</li> <li>10. Voer een periodieke reiniging uit</li> <li><b>11. Controleer de werking van de rookafzuiger</b></li> <li><b>12. Neem contact op met een erkend service center</b></li> <li>13. Zorg voor een droge opbergplaats van de pellets en vervang door droge pellets</li> </ol>
<p><b>Sluit de kachel. Geen toevoer van pellets naar de verbrandingskamer</b></p>	<ol style="list-style-type: none"> <li>1. De tank is leeg</li> <li>2. Geen pellets in de vijzel</li> <li>3. Technische storing van de vijzel</li> <li>4. Defect reductiemotor</li> <li>5. Fout elektronische kaart</li> </ol>	<ol style="list-style-type: none"> <li>1. Laad pellets in de tank.</li> <li>2. Vul de tank en vervolg zoals aangeduid voor de ontsteking van de kachel.</li> <li>3. HET IS AANGERADEN om de voeding los te koppelen voor u: <ul style="list-style-type: none"> <li>- de tank leegt en handmatig de vijzel van zaagsel ontdoet</li> <li>- verstoppingen uit de koker verwijdert</li> <li>- stof en pellets van de bodem van de tank verwijderd</li> </ul> </li> <li><b>4. Vervang de reductiemotor</b></li> <li><b>5. Vervang de elektronische kaart</b></li> </ol>
<p><b>De kachel werkt een paar minuten en gaat dan uit</b></p>	<ol style="list-style-type: none"> <li>1. De ontstekingscyclus is niet voltooid</li> <li>2. Tijdelijk stroomgebrek</li> <li>3. Rooksonde defect, gebroken of niet ingevoerd</li> </ol>	<ol style="list-style-type: none"> <li>1. Opnieuw inschakelen</li> <li>2. Opnieuw inschakelen</li> <li><b>3. Controleren en sensors vervangen</b></li> </ol>
<p><b>Ventilator rookafzuiger stopt niet</b></p>	<ol style="list-style-type: none"> <li>1. De kachel is nog niet afgekoeld</li> </ol>	<ol style="list-style-type: none"> <li>1. Laat de kachel afkoelen. De ventilator zal na de afkoeling stoppen. <b>Als het probleem blijft, contact opnemen met het erkend service center.</b></li> </ol>

<p><b>De kachel is in het begin van de vuurpot verstopt, brandt onregelmatig, deurglas wordt vuil, de vlam is langwerpig, rood en zwak.</b></p>	<ol style="list-style-type: none"> <li>1. Rookkanaal met te lange of verstopte delen</li> <li>2. Te veel pellets</li> <li>3. Te veel pellets of as in de vuurpot</li> <li>4. Vuurpot niet gevonden in de houder</li> <li>5. Wind tegengesteld aan de rookgasstroom</li> <li>6. Onvoldoende verbrandingslucht</li> <li>7. Verander het type pellets</li> <li>8. Motor van rookafzuiger beschadigd</li> <li>9. Deur niet goed gesloten</li> </ol>	<ol style="list-style-type: none"> <li>1. Voer een periodieke reiniging uit. Zie paragraaf kachelinstallatie in handleiding. Controleer of de schoorsteen schoon is</li> <li>2. In de parameters het laadniveau van de pellets verminderen</li> <li>3. Reinig de vuurpot nadat de kachel volledig is uitgeschakeld. <b>Als de storing aanhoudt, contact opnemen met het erkend service center</b></li> <li>4. Controleer of het gat in de vuurpot overeenkomt met de gloeibougje</li> <li>5. Controleer of monteer een windvrije schoorsteenkap</li> <li>6. Controleer de correcte positie van de vuurpot, check of hij schoon is en of de luchtinlaat vrij is, controleer de staat van de deurafdichting, verhoog in de parameter het niveau van de ventilatorsnelheid voor de rookafzuiging. <b>Contact opnemen met het erkend service center</b></li> <li>7. Controleer de kwaliteit van de pellets. <b>Contact opnemen met het erkend service center</b></li> <li>8. Verhoog in de parameters het niveau van de ventilatorsnelheid voor de rookafzuiging. <b>Controleer en vervang eventueel de motor</b></li> <li>9. Controleer de pakking en goede afdichting van het glas</li> </ol>
<p><b>Geur van rook in het milieuDe kachel uitschakelen</b></p>	<ol style="list-style-type: none"> <li>1. Arme verbranding</li> <li>2. Slechte werking van de rookventilator</li> <li>3. Verkeerde installatie van het rookgaskanaal</li> <li>4. Verstopte schoorsteen</li> </ol>	<ol style="list-style-type: none"> <li><b>1. Contact opnemen met het erkend service center</b></li> <li><b>2. Contact opnemen met het erkend service center</b></li> <li><b>3. Contact opnemen met het erkend service center</b></li> <li><b>4. Contact opnemen met het erkend service center</b></li> </ol>
<p><b>In automatisch werkt de kachel steeds op volle toeren</b></p>	<ol style="list-style-type: none"> <li>1. Kamerthermostaat op maximum ingesteld</li> <li>2. Storing van de temperatuursensor</li> <li>3. Besturingspaneel defect of beschadigd</li> </ol>	<ol style="list-style-type: none"> <li>1. Reset de thermostaattemperatuur</li> <li>2. Controleer de werking van de sensor en vervang hem indien nodig</li> <li>3. Controleer het besturingspaneel en vervang het indien nodig</li> </ol>
<p><b>De motor van de rookafzuiging werkt niet.</b></p>	<ol style="list-style-type: none"> <li>1. Geen spanning op de kachel</li> <li>2. De motor is beschadigd</li> <li>3. De printplaat is beschadigd</li> <li>4. Het besturingspaneel faalt</li> </ol>	<ol style="list-style-type: none"> <li>1. Controleer de voedingsspanning en de zekering.</li> <li>2. Controleer de motor en de capacitor en vervang indien nodig.</li> <li>3. Vervang de printplaat.</li> <li>4. Vervang het besturingspaneel.</li> </ol>

<p><b>Het vuur gaat uit of de kachel stopt automatisch</b></p>	<ol style="list-style-type: none"> <li>1. De pellettank is leeg</li> <li>2. Geen stroom</li> <li>3. Geen pellettoevoer</li> <li>4. Te veel as op het rooster</li> <li>5. Interventie temperatuursonde veiligheid pellets</li> <li>6. Vijzel geblokkeerd door vuil</li> <li>7. De deur is niet goed gesloten of de pakkingen zijn versleten</li> <li>8. Ongeschikte pellets</li> <li>9. Pellets laag</li> <li>10. Schoorsteen of rookkanaal verstopt door nesten of vreemde voorwerpen</li> <li>11. Drukschakelaar afgesloten</li> <li>12. Storing motor rookafzuiging</li> <li>13. Alarm actief</li> </ol>	<ol style="list-style-type: none"> <li>1. Vul de tank met pellets</li> <li>2. Controleer plug en stroomaanwezigheid</li> <li>3. Vul de tank met pellets</li> <li>4. Reinig de vuurpot</li> <li>5. Laat de kachel volledig afkoelen, reset de handmatige reset en start de kachel opnieuw. <b>Als het probleem blijft, contact opnemen met een erkend service center.</b></li> <li>6. Trek de stekker uit, leeg de tank, verwijder vreemde voorwerpen.</li> <li>7. Sluit de deur of vervang de pakkingen door originele</li> <li>8. Gebruik een ander type pellets, aangeraden door de fabrikant. <b>Soms moet in de parameters het laadniveau van de pellets gewijzigd worden, naargelang het type.</b></li> <li>9. Via de parameter het laadniveau doen toenemen. <b>De brandstoftoevoer moet door een erkend technicus gecontroleerd worden.</b></li> <li>10. Verwijder vreemde voorwerpen uit de schoorsteen. Reinig het rookgaskanaal. Voer een periodieke reiniging uit.</li> <li>11. <b>Controleer of het rookgaskanaal is verstopt en of de drukschakelaar goed werkt.</b></li> <li>12. <b>Controleer de motor en vervang hem indien nodig.</b></li> <li>13. Zie paragraaf alarmen</li> </ol>
<p><b>De luchtventilator (omgevingslucht) stopt nooit</b></p>	<ol style="list-style-type: none"> <li>1. Temperatuursensor temperatuurcontrole defect of beschadigd</li> <li>2. Storing rooksonde</li> </ol>	<ol style="list-style-type: none"> <li>1. Controleer de werking van de sensor en vervang hem indien nodig</li> <li>2. Vervang de rooksonde</li> </ol>
<p><b>De kachel gaat niet aan.</b></p>	<ol style="list-style-type: none"> <li>1. Stroomgebrek</li> <li>2. Pelletsonde geblokkeerd</li> <li>3. Zekering gesmolten</li> <li>4. Drukschakelaar beschadigd (blokkering aangeduid)</li> <li>5. Rookafvoer of buis verstopt</li> </ol>	<ol style="list-style-type: none"> <li>1. Controleer of het elektrisch stopcontact is aangesloten en of de hoofdschakelaar op "I" staat.</li> <li>2. De thermostaat achteraan de kachel resetten, <b>vervang de thermostaat indien het opnieuw voorvalt.</b></li> <li>3. De zekering vervangen</li> <li>4. <b>De drukschakelaar vervangen</b></li> <li>5. Reinig de rookafvoerbuï en/of het rookgaskanaal</li> </ol>

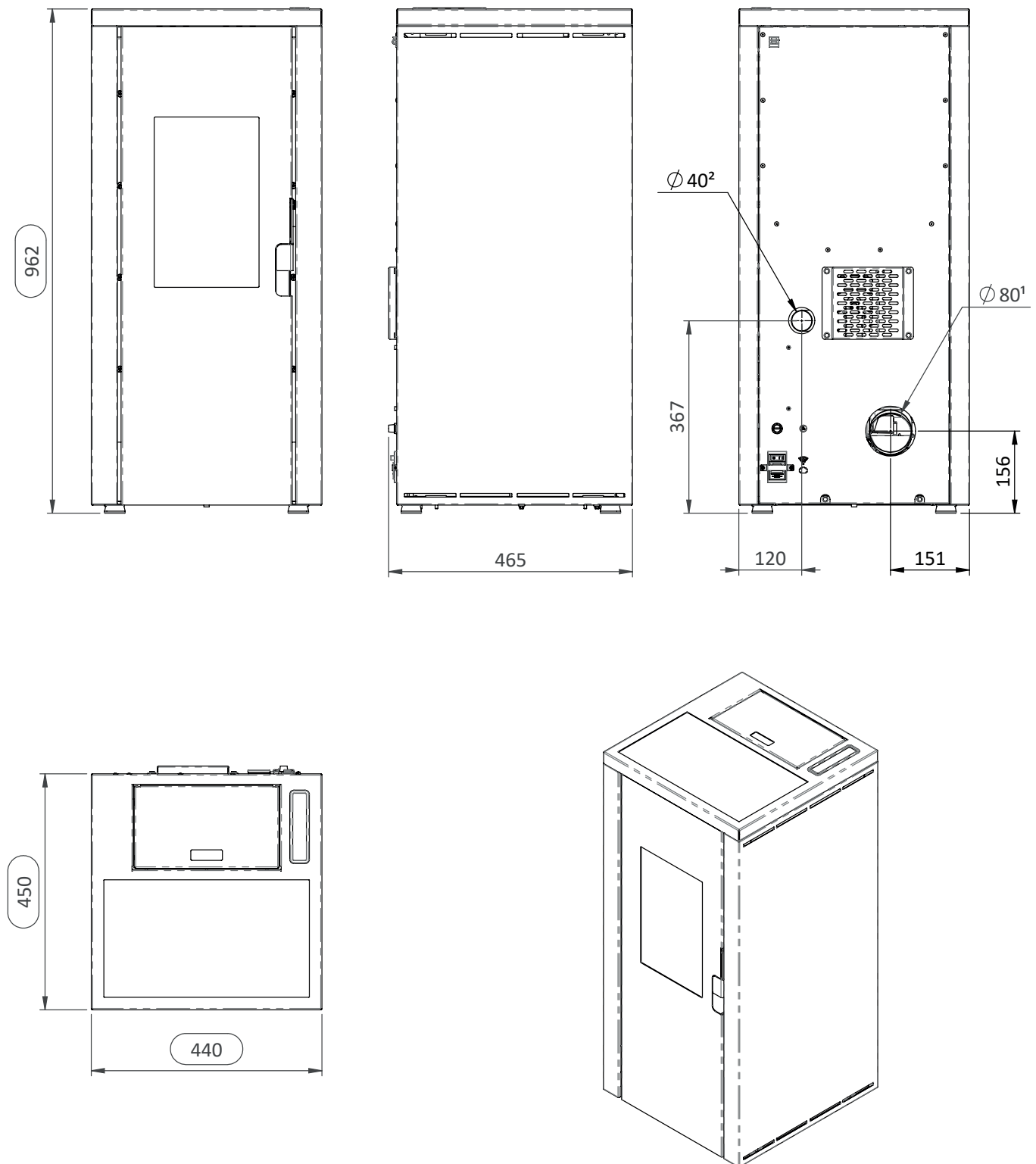


**Als storingen optreden, voortvloeiend uit het niet naleven van bovenstaande normen, wijst de fabrikant iedere verantwoordelijkheid af en zal de garantie vervallen. Als de instructies niet worden in acht genomen zal de tussenkomst van het service center voor rekening van de klant vallen.**

PARAMETER	EENHEDEN VAN METING	SSI7	SSI75	SSI8
Totale warmteafgifte (min-max)	kW	7,7	8,5	9,2
Nominale warmteafgifte	kW	7,0	7,7	8,3
Verminderde warmteafgifte	kW	3,4	3,4	3,4
Nominale CO-concentratie bij referentie 13% O <sub>2</sub>	mg/m <sup>3</sup>	178	198	198
CO-concentratie verminderd bij referentie 13% O <sub>2</sub>	mg/m <sup>3</sup>	280	280	280
Nominaal effect	%	90,8	90,3	90,3
Verminderd effect	%	91,6	91,6	91,6
Gemiddeld verbruik (min-max)	kg/h	0,8 - 1,6	0,8 - 1,7	0,8 - 1,9
Verwarmbaar volume op nominaal vermogen	mc	180	200	215
Rookstroom (min-max)	g/s	3,3 - 4,7	3,3 - 4,8	3,3 - 4,8
Aanbevolen schoorsteentrek (min-max)	Pa	10 - 10	10 - 12	10 - 12
Rooktemperatuur (min-max)	°C	110 - 166	110 - 195	110 - 195
Capaciteit van de pellettrecther	Kg	16	16	16
Aangeraden brandstof	(ø x H) mm	pellet 6x30	pellet 6x30	pellet 6x30
Rookuitlaat diameter	mm	80	80	80
Luchtinlaat diameter	mm	40	40	40
Nominale spanning	V	230	230	230
Nominale frequentie	Hz	50	50	50
Max. elektrisch verbruik	W	330	330	330
Gewicht	Kg	55	55	55
Energie-efficiëntie-index		127	127	127
Testrapport nr.	SSCS22-0084030-01			
Energieklasse		A+	A+	A+
Poeders bij 13% O <sub>2</sub> met betrekking tot nominaal thermisch ingangsvermogen	mg/m <sup>3</sup>	14	14,7	14,7

Het is aanbevolen om na de installatie een controle op de uitstoot uit te voeren.

Om de resultaten van het testrapport te verkrijgen, uploadt u de prestatieparameters die in het bezit zijn van de fabrikant en de gekwalificeerde technicus die ze pas kunnen gebruiken nadat is gecontroleerd of de installatie in staat is de laboratoriumomstandigheden te reproduceren. Deze prestaties kunnen alleen worden bereikt na 15/20 werkuur op nominaal vermogen.

**OPMERKINGEN :**

- de afmetingen zijn bij benadering en kunnen variëren naargelang de vormgeving van de kachel
- de posities van de buizen op het achteraanzicht zijn indicatief en met een tolerantie van +/- 10 mm
- afmetingen met een tolerantie van ongeveer 10 mm

1. Rookuitlaat
2. Luchtinlaat

## Ingebruikstelling Livn pelletkachels

Gefeliciteerd met de aanschaf van uw Livn pelletkachel. Voor de garantie en evt. een subsidieaanvraag is het noodzakelijk dat de ingebruikstelling van de pelletkachel door de specialist wordt uitgevoerd.

### Afspraak maken voor de ingebruikstelling?

Voor Nederland kunt u zich aanmelden via de website: [https://doitforme.services/nl\\_be/nl/livn/search](https://doitforme.services/nl_be/nl/livn/search)

Voor België kunt u zich aanmelden via de website: <https://livn.doitforme.services>

### Stap 1

U heeft een Livn pelletkachel gekocht bij een van onze verkooppunten.

#### Stap 2A

U installeert de pelletkachel zelf volgens de handleiding en de geldende normen. Neem vervolgens contact op met de specialist voor een afspraak voor de controle en ingebruikname van de pelletkachel (t.w.v. €200,- inbegrepen in de prijs).

#### Stap 2B

U laat de pelletkachel volledig installeren door onze specialist. Zij kunnen voor u een offerte op maat maken. Ingebruikname t.w.v. €200,- is reeds inbegrepen in de prijs van de pelletkachel.

### Stap 3

De plaatsing zal worden gecontroleerd door de specialist.

#### Stap 4A

Als de specialist geconstateerd heeft dat de kachel niet juist is geïnstalleerd, ga dan naar stap 2B.

#### Stap 4B

Zodra de pelletkachel juist is geïnstalleerd, stelt de specialist de pelletkachel in met de juiste parameters.

### Stap 5

De specialist controleert de installatie en werking van de pelletkachel en vult het ingebruikstellingsformulier in welke ondertekend wordt, dit neemt ongeveer 30 minuten in beslag. Tevens zal de garantie worden geactiveerd onder de geldende voorwaarden. Voor de juiste werking van de pelletkachel dient u de handleiding uitgebreid door te nemen, bij vragen over de werking van het product kunt u contact opnemen met het verkooppunt.

Veel plezier met uw Livn pelletkachel

**Nog overige vragen of storingen?**

Neem contact op met [service@gimeg.nl](mailto:service@gimeg.nl)





A series of horizontal lines for writing, starting from the top of the page and extending to the bottom. The lines are evenly spaced and cover the width of the page.

## ALGEMENE GARANTIE

Alle producten worden grondig getest en hebben een garantie van 24 maanden vanaf de aankoopdatum, gedocumenteerd door een factuur of aankoopbewijs, voor te leggen aan het bevoegd technisch personeel.

Het niet voorleggen van het document maakt het recht op garantie ongeldig. Garantie betekent de kosteloze vervanging of reparatie van onderdelen van het apparaat die als gevolg van fabricagefouten defect zijn.

1. De garantie voor fabricage- en materiaalfouten vervalt:

- bij ingrepen van niet-geautoriseerd personeel.
- bij transportschade of oorzaken niet toewijsbaar aan de fabrikant
- bij een onjuiste installatie;
- bij een verkeerde elektrische aansluiting;

- als het periodiek onderhoud niet is uitgevoerd;
- bij overmacht en natuurrampen (blikseminslag, overstroming, enz.);
- bij onjuist gebruik en onderhoud;
- wegens gebruik met buitensporige brandstoflading;
- door aantasting van bepaalde onderdelen en het product

2. De volledige vervanging van de machine mag alleen plaatsvinden in bijzondere gevallen, na een onbetwistbare beslissing van de fabrikant.

3. Het bedrijf is niet aansprakelijk voor directe of indirecte schade, veroorzaakt aan personen, dieren of zaken, te wijten aan niet-inachtneming van de voorschriften in de handleiding en met name de waarschuwingen m.b.t. de installatie, het gebruik en het onderhoud aan het apparaat.

## BEPERKINGEN VAN DE GARANTIE

De beperkte garantie dekt fabricagefouten, op voorwaarde dat het product niet is beschadigd door onjuist gebruik, nalatigheid, onjuiste aansluiting, sabotage of installatiefouten.

Voor de volgende onderdelen geldt een garantie van 12 maanden:

- Verbrandingspot;
- De weerstand (indien aanwezig)

Niet gedekt door de garantie:

- het deurglas;
- alle pakkingen en vezelpakking van de deur;
- het schilderwerk;
- de majolica tegels (indien aanwezig);
- de afstandsbediening (indien aanwezig);
- de interne schotten;
- de haardroosters;
- de vlamverspreider (indien aanwezig);
- het vuurvast materiaal (indien aanwezig);
- de handgrepen en/of knoppen;
- alle verwijderbare delen;
- eventuele schade veroorzaakt door ongeschikte installatie en/of nalatigheid van de klant;
- eventuele schade door plotselinge veranderingen/overspanningen in de netspanning, inductieve/elektrostatische ontladingen of blikseminslag;

Alle storingen en/of beschadigingen aan het apparaat die te wijten zijn aan de volgende oorzaken zijn van deze garantie uitgesloten:

- Schade veroorzaakt door transport en/of verplaatsingen
- alle onderdelen die defecten kunnen vertonen door nalatigheid of verwaarlozing bij het gebruik, verkeerd onderhoud, installatie die niet voldoet aan de specificaties van de fabrikant (raadpleeg altijd de installatie- en gebruikshandleiding die bij het apparaat is geleverd).
- onjuiste maatvoering, ontoereikende installatie of gebrek aan maatregelen, vereist om een vakkundige installatie te garanderen
- oververhitting van het apparaat, m.a.w. het gebruik van brandstoffen die niet overeenstemmen met de soorten en hoeveelheden die in de bijgeleverde handleiding zijn aangegeven
- verdere schade veroorzaakt door onjuiste interventies van de gebruiker in een poging om de aanvankelijke storing te verhelpen
- extra schade veroorzaakt door verder gebruik van het apparaat nadat het defect is ontstaan
- in aanwezigheid van een ketel, elke corrosie, korstvorming of breuk veroorzaakt door zwerfstromen, condensatie, zuurgraad van het water, onjuiste behandelingen om aanslag te verwijderen, gebrek aan water, slibophoping of kalkaanslag
- inefficiëntie van schouwen, schoorstenen, of delen van het systeem waarvan het apparaat afhankelijk is
- schade veroorzaakt door knoeien met het toestel, weersomstandigheden, natuurrampen, vandalisme, elektrische ontladingen, brand, storingen in het elektrisch en/of hydraulisch systeem.
- Het verzuim van het jaarlijks onderhoud van de kachel, uit te voeren door een geautoriseerde technicus of gekwalificeerd personeel, leidt tot het verlies van de garantie.

De afbeeldingen in dit instructieboekje zijn louter indicatief en komen mogelijk niet overeen met de realiteit van het product. Ze dienen als voorbeeld, om te begrijpen hoe het product werkt

Nous vous remercions d'avoir choisi l'un des nos produits, fruit de nos expériences pluriannuel et de la recherche continue, visant à atteindre une qualité supérieure en termes de sécurité, de fiabilité et de performances. Dans ce manuel, vous trouverez des informations et des conseils utiles qui vous permettront d'utiliser votre produit en toute sécurité et efficacité.



**Nous vous recommandons vivement de faire effectuer à notre Centre de Service Autorisé l'installation et le premier allumage de l'appareil car non seulement il réalise l'installation parfaitement, mais vérifie également le fonctionnement régulier de celui-ci.**

- Les installations et les entretiens non effectués correctement ainsi qu'une utilisation impropre du produit exonèrent la Société de toute responsabilité civile et pénale.
- Ne pas utiliser l'appareil comme incinérateur, ni employer des combustibles autres que le pellet.
- Ce manuel a été rédigé par le fabricant et fait partie intégrante du produit, il doit l'accompagner pendant toute sa durée de vie. En cas de vente ou transfert du produit, s'assurer toujours de la présence du manuel, car les informations qu'il contient s'adressent à l'acheteur et à toute autre personne participant à titres divers à l'installation, à l'utilisation et à l'entretien.
- Lisez attentivement les instructions et les informations techniques contenues dans ce manuel avant de procéder à l'installation, à l'utilisation et à toute intervention sur le produit.
- Le respect des indications contenues dans ce manuel garantit la sécurité des personnes et du produit, l'économie de fonctionnement et une plus longue durée de vie.
- Le dessin soigné et l'analyse des risques, réalisés par notre société ont permis de réaliser un produit sûr.
- Toutefois, avant d'effectuer une quelconque opération, il est recommandé de lire avec attention les instructions indiquées dans ce document, qui doit être toujours disponible.
- Faire très attention lors de la manipulation des pièces en céramique (si elles existent).
- S'assurer que le sol où sera installé le produit est bien plat.
- Le mur où sera placé le produit ne doit pas être en bois ou autres matériaux inflammables. Il est également nécessaire de garder les distances de sécurité.
- Durant le fonctionnement, certaines parties de le poêle (porte, poignée, côtés) peuvent atteindre des températures élevées. Faites donc très attention et observez les précautions d'utilisation, surtout s'il y a des enfants, de personnes âgées, des handicapés et des animaux domestiques.
- Le montage doit être effectué par des personnes autorisées (Centre d'Assistance Agréé).
- Les schémas et les dessins sont fournis à titre d'exemple. Le fabricant, dans le cadre d'une politique de développement et de renouvellement continu du produit, pourra apporter, sans aucun préavis, les modifications qu'il jugera opportunes.
- À la puissance maximum de fonctionnement, utiliser des gants pour manipuler la porte du chargement des granulés de bois ainsi que la poignée d'ouverture.
- Il est interdit d'installer dans les chambres ou dans des environnements explosifs.
- N'utiliser que des pièces de rechange recommandées par le fournisseur. L'utilisation de pièces non d'origine peuvent rendre le produit dangereux et exonère la Société de toute responsabilité civile et pénale.



**Ne jamais couvrir le corps de le poêle ou fermer les ouvertures situées sur la partie latérale supérieure lorsque l'appareil est en fonctionnement. L'allumage de tous nos poêles est essayé sur la ligne de production.**

**En cas d'incendie, débrancher l'alimentation électrique, utiliser un extincteur à la norme et éventuellement appeler les pompiers. Contacter ensuite le Service d'Assistance autorisé.**

La présente notice fait partie intégrante du produit: s'assurer qu'elle est fournie avec l'appareil, même en cas de cession à un autre propriétaire ou utilisateur, ou en cas de transfert de le poêle dans un autre lieu. En cas de perte, demander un autre exemplaire dans le service technique de zone.

## LES SYMBOLES SUIVANTS SIGNALENT DES MESSAGES SPÉCIFIQUES QUE VOUS RENCONTREZ DANS CE LIVRET D'INSTRUCTIONS:



**ATTENTION:** ce symbole d'avertissement qui apparaîtra maintes fois dans ce livret souligne la nécessité de lire attentivement le passage auquel il se rapporte et l'importance de bien le comprendre car la non observation des indications prescrites risque d'entraîner de sérieux dommages au le poêle et de compromettre la sécurité l'utilisateur.



**INFORMATIONS:** Ce symbole met en évidence des informations importantes pour le bon fonctionnement de votre poêle. La non observation de ces indications compromettra la bonne utilisation du poêle et les résultats ne seront pas satisfaisants.

## Normes et déclaration de conformité

Notre société déclare que le poêle est conforme aux directives européennes suivantes, requises pour l'obtention du marquage CE:

- 2015/1185 UE
- 2014/30 CE (instruction EMCD) et amendements suivants;
- 2014/35 UE (directive basse tension) et amendements suivants;
- 2011/65 UE (directive RoHS 2);
- 2015/863 UE (directive déléguée, modification récente de l'annexe II de la Directive 2011/65 UE);
- Directive Ecodesign 2009/125/CE;
- Les règles de Produits de Construction (CPR-Construction Products Regulation) n°305/2011 en ce qui concerne le monde de le constructions;
- Pour l'installation en Italie, se référer à la norme UNI 10683/98 ou ses modifications suivantes.
- Toutes les lois locales et nationales et les normatives européennes doivent être appliquées pendant l'installation de l'appareil;
- EN 55014-1; EN 55014-2; EN 61000-3-2; EN 61000-3-3; EN 60335-1; EN 60335-2-102; EN 62233, EN 50581.

### Informations sur la sécurité

**Veillez lire attentivement ce manuel d'utilisation et d'entretien avant d'installer le poêle et du mettre en marche. Pour obtenir des informations supplémentaires, s'adresser au revendeur ou au Centre d'Assistance Agréé.**

- Le poêle à granulés de bois a été conçu pour des locaux d'habitation. Étant commandé par une carte électronique, ce poêle permet d'obtenir une combustion complètement automatique et contrôlée. En effet, la centrale règle la phase d'allumage, les 5 niveaux de

puissance et la phase d'extinction, garantissant ainsi un fonctionnement sûr de le poêle;

- Le panier utilisé pour la combustion fait tomber dans le récipient de ramassage la plupart des cendres produites par la combustion des granulés de bois. Contrôler tous les jours le panier car tous les granulés de bois n'ont pas un haut standard de qualité (utiliser exclusivement un granulé de bois de qualité conseillé para le fabricant);

### Responsabilité

Avec la remise du présent manuel, nous déclinons toute responsabilité, aussi bien civile que pénale, pour tout accident découlant de la non-exécution partielle ou totale des instructions de ce dernier. Nous déclinons toute responsabilité découlant d'une mauvaise utilisation de le poêle par l'utilisateur, de modifications et/ou réparations effectuées sans autorisation, de l'utilisation de pièces de rechange non originales pour ce modèle. Le fabricant décline toute responsabilité civile ou pénale directe ou indirecte due à:

- Un entretien insuffisant;
- La non-exécution des instructions contenues dans le manuel;
- Une utilisation non-conforme aux directives de sécurité;
- Une installation non-conforme aux normes locales en vigueur;
- L'installation par du personnel non qualifié et non formé;
- Des modifications et des réparations non autorisées par le fabricant;
- L'utilisation de pièces de rechange autres que les originales;
- Des événements exceptionnels.

# Instructions pour une utilisation sûre et efficace

- L'appareil peut être utilisé par des enfants de minimale de 8 ans d'âge et les personnes physiques réduite, les capacités sensorielles ou mentales, ou le manque d'expérience ou de connaissances, à condition que sous surveillance ou après le même a reçu des instructions relatives à la 'utilisation en toute sécurité et de la compréhension des dangers qui lui sont inhérents. Les enfants ne devraient pas jouer avec l'appareil. Nettoyage et entretien destinés à être effectuée par l'utilisateur ne doit pas être fait par les enfants sans surveillance;
- Ne pas utiliser le poêle comme une échelle ou un échafaudage;
- Ne pas mettre de linge à sécher sur le poêle. Pour le séchage des vêtements, etc., doivent être maintenus à une distance convenable de la poêle. - Risque d'incendie;
- Expliquer soigneusement que le poêle est fabriqué à partir de matériau soumis à des températures élevées pour les personnes âgées, les personnes handicapées, et en particulier à tous les enfants, en les gardant loin de la cuisinière pendant le fonctionnement;
- Ne pas toucher le poêle avec les mains mouillées, car cela est un appareil électrique. Toujours débrancher l'alimentation avant de travailler sur l'unité;
- La porte doit toujours être fermée pendant le fonctionnement;
- Le poêle doit être raccordé à un système électrique équipé d'un conducteur de mise à la terre conformément aux directives CEE 73/23 et 93/98 CEE;
- Le système doit être de puissance électrique suffisante déclaré de la poêle;
- Ne pas laver l'intérieur de le poêle avec de l'eau.
- L'eau pourrait endommager l'isolation électrique, provoquant un choc électrique;
- Ne pas exposer votre corps à l'air chaud pendant une longue période. Ne pas surchauffer la pièce où vous êtes et où le poêle est installé. Cela peut endommager les conditions physiques et causer des problèmes de santé;
- Ne pas exposer à diriger le flux d'air chaud de plantes ou d'animaux;
- Le poêle à granulés de bois est pas un élément de la peinture;
- Les surfaces extérieures pendant le fonctionnement peut devenir chaud. Ne les touchez pas, sauf avec la protection adéquate
- La fiche du câble d'alimentation de l'appareil ne doit être branchée qu'après l'installation et le montage de l'appareil et doit rester accessible après l'installation, si l'appareil n'est pas équipé d'un commutateur bipolaire approprié et accessible.
- Veillez à ce que le cordon d'alimentation (et tout autre câble externe à l'appareil) ne touche pas les parties chaudes.
- Ne posez pas d'objets, de verres, de diffuseurs ou de parfums d'ambiance sur le poêle, ils pourraient endommager ou endommager le poêle (dans ce cas, la garantie ne répond pas).
- Ne pas forcer le système d'allumage s'il est en panne;
- Dans le cas de "non allumage", enlever toute accumulation de pellet imbrûlé du brûleur avant de procéder à une nouvelle tentative. Avant tout rallumage, assurez-vous que le creuset de combustion est propre et bien positionné;
- Interdiction de charger manuellement le combustible dans le creuset de combustion. Le non-respect de cette consigne peut générer des situations de danger;
- Évaluer les conditions statiques du plan sur lequel le poids du produit devra graver;
- Les opérations d'entretien extraordinaire ne doivent être effectuées que par du personnel autorisé et qualifié;
- Débrancher le produit de l'alimentation électrique avant d'effectuer toute opération d'entretien;
- De la fumée pourrait se générer lors du premier allumage due au réchauffement de la peinture. Pour cette raison, veillez à maintenir le local bien aéré.



**Ne jamais éteindre le poêle en supprimant l'alimentation. Laissez toujours compléter le cycle d'arrêt, sinon vous risquez d'endommager la structure et ayant des problèmes d'éclairage dans l'avenir.**



**Le poêle est équipée d'un dispositif de sécurité interdisant le fonctionnement dans le cas de dépressions dangereuses dans la chambre de combustion, à imputer, par exemple, à des situations climatiques défavorables ou à l'obstruction du conduit de cheminée. S'il intervient, ne pas solliciter ce dispositif et attendre que la situation climatique permette au conduit de cheminée de retrouver une dépression qui permettra au poêle de fonctionner correctement. Si le lieu où la poêle est installée est souvent et particulièrement venteux tel à empêcher l'usage quotidien du poêle, il est possible d'augmenter la vitesse de l'extracteur fumées afin de garantir une dépression correcte en chambre de combustion. Cette opération doit être effectuée par un technicien agréé.**

## FR Emplacement pour l'installation

Pour un correct fonctionnement de le poêle et pour une bonne distribution de la chaleur, l'unité doit être installée dans un endroit où l'air nécessaire à la combustion des granulés de bois (disponibilité d'environ 40 m<sup>3</sup>/h conformément à la norme pour l'installation, ainsi qu'aux normes nationales en vigueur). Le volume du local ne doit pas être inférieur à 20 m<sup>3</sup>.

**Il est obligatoire de prévoir une prise d'air extérieure adaptée permettant l'apport de l'air comburant nécessaire au fonctionnement correct du produit.** L'afflux de l'air entre l'extérieur et le local d'installation peut s'effectuer par voie directe au moyen d'une ouverture sur une paroi extérieure du local (solution préférable, voir Fig. 1a) ou bien par voie indirecte, en prélevant l'air de locaux contigus, équipés de prise d'air et en communication constante avec le local d'installation (voir Fig. 1b). Les chambres, les salles de bain, les garages, les locaux de l'immeuble communs et, en général, tout local à risque d'incendie ne peuvent pas servir de locaux contigus.

Attention à la présence de portes et de fenêtres pouvant interférer avec l'afflux correct de l'air vers le poêle et se maintenir à 1,5 mètre de toute éventuelle sortie de fumées. La surface totale de la prise d'air doit être de 100 cm<sup>2</sup> minimum et devra être protégée par une grille externe, à nettoyer périodiquement pour empêcher toute obstruction et/ou occlusion: cette surface devra être plus importante si d'autres générateurs actifs se trouvent dans le local (par ex., ventilateur électrique pour l'extraction de l'air vicié, hotte de cuisine, autres poêles, etc.) qui peuvent placer l'environnement en condition de dépression.

Lorsque tous les appareils sont allumés, il faudra vérifier que la chute de pression entre la pièce et l'extérieur ne dépasse pas la valeur de 4 Pa.

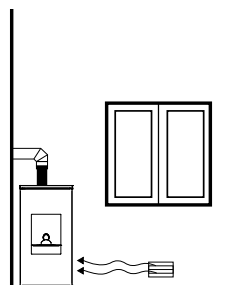


FIG. 1a: DIRECTEMENT DE L'EXTÉRIEUR

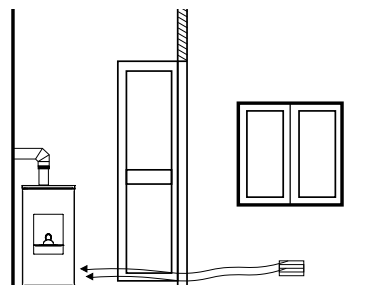


FIG. 1b: PAR VOIE INDIRECTE, DEPUIS LE LOCAL ADJACENT

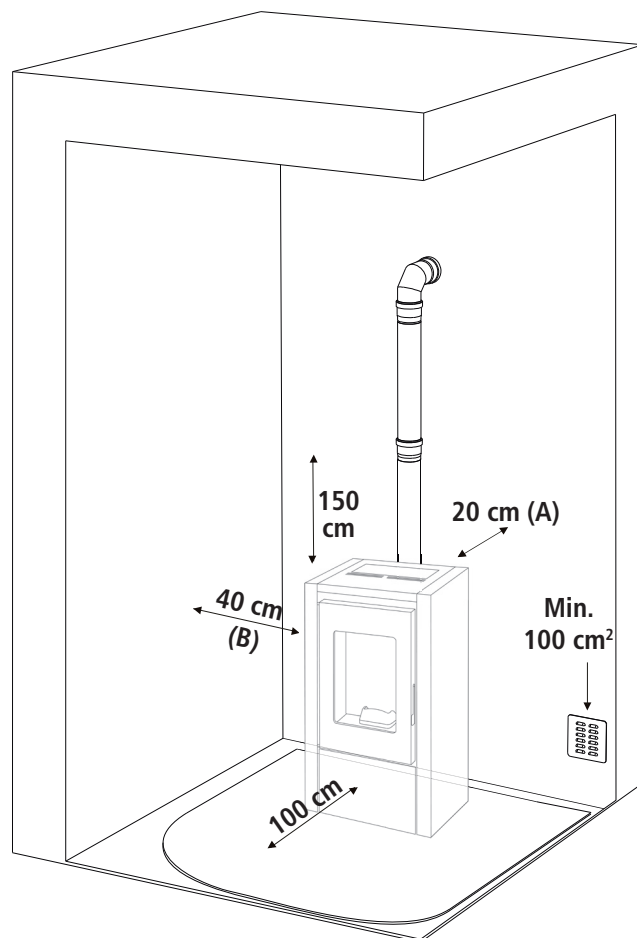
Il est possible de brancher l'air nécessaire à la combustion directement à la prise d'air extérieure à l'aide d'un tuyau de 40mm min. de diamètre et de 2 mètres linéaire de longueur maximum; chaque coude du tuyau équivaut à une perte d'un mètre linéaire.



**L'installation dans des studios, des chambres et des salles de bain n'est permise que dans le cas d'appareils étanches ou à chambre fermée pourvus d'une bonne canalisation de l'air comburant provenant de l'extérieur.**



**Il est interdit d'installer le poêle dans un local dont l'atmosphère est explosive. Le sol de la pièce où sera placé le poêle doit être aménagé de façon adéquate pour pouvoir supporter la charge au sol de l'appareil. Maintenir une distance minimum arrière (A) de 20 cm, latérale (B) de 40 cm et avant de 100 cm. Il faut respecter ces distances afin que le technicien puisse effectuer l'entretien extraordinaire mais également pour la sécurité intrinsèque du produit. Maintenir le poêle à bonne distance si des objets particulièrement délicats tels que meubles, tentures et divans sont présents.**



**En cas de sol en bois (parquet) prévoir une plaque de sol conforme aux normes en vigueur pour le protéger.**



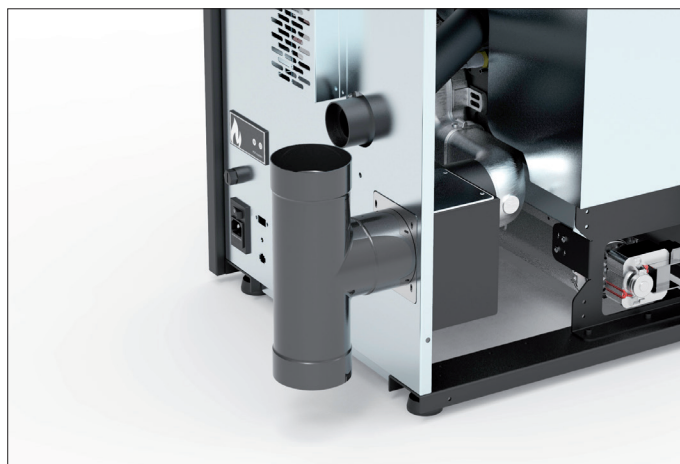
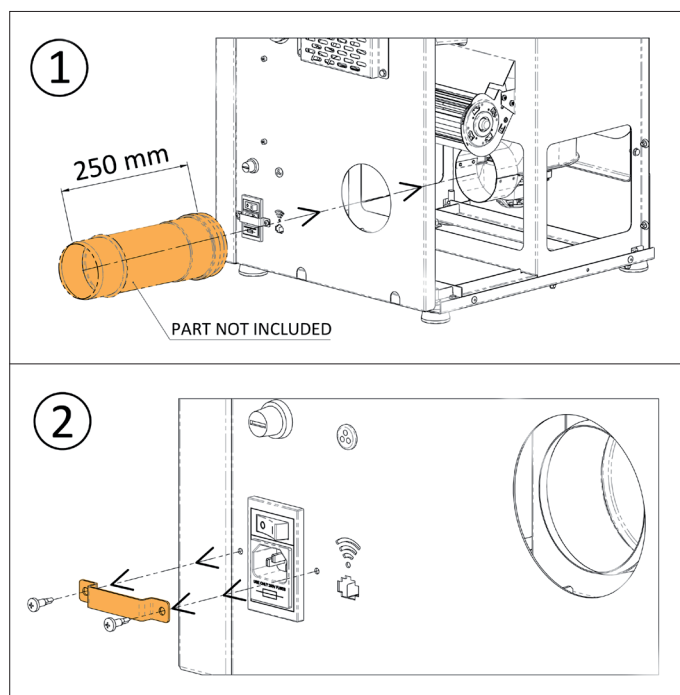
# Flue connection

## REMARKS:

- The appliance must be installed by a qualified technician in possession of the technical and professional requirements, under its responsibility, to ensure compliance with the rules of good technique.
- You need to keep in mind all laws and national, regional, provincial and municipal laws of the country in which you installed the device
- Check that the floor is not flammable: if necessary use a suitable platform
- In the room where the generator must be installed to heat must not pre-exist or be installed with an extractor hood or ventilation ducts of the collective type. Should these devices be located in adjacent rooms communicating with the installation, and 'prohibited the simultaneous use of the heat generator, where there is a risk that one of the two rooms being placed in depression than the other.

## REAR flue connection

The stove is supplied by default with a back smoke outlet. The pipe is not supplied as standard with the stove. At the outlet is necessary to provide a T-pipe with a collection cup (not supplied with the stove).



## Conduit de cheminée

Le but des indications reportées ci-après est de réaliser un bon conduit de cheminée mais elles ne peuvent en aucun cas se substituer aux normes en vigueur dont le constructeur qualifié devra être à connaissance. Le producteur du poêle décline toute responsabilité civile ou pénale dans le cas de mauvais fonctionnement du poêle à imputer à un conduit de cheminée mal dimensionné et/ou ne satisfaisant pas les réglementations en vigueur à respecter. Le conduit de cheminée doit être de catégorie  $\geq$  T200 ou supérieur, construit selon les règles de l'art, avec une orientation verticale, sans étranglement et résister à la condensation ainsi qu'au feu de suie. Il faut l'isoler extérieurement pour éviter le refroidissement des fumées et l'équiper de vidange de la condensation. Si le conduit de cheminée est une pièce en ciment, il faudra la garnir de tuyaux. Le conduit de cheminée devra prévoir une trappe de nettoyage et se trouver à distance de matériaux inflammables et/ou combustibles.

Voici les distances minimum à respecter des autres cheminées ou zones de rejet.

Vérifiez que la dépression entre le conduit de cheminée et le lieu d'installation est bien conforme aux caractéristiques techniques. La hauteur minimum du conduit de cheminée est de 3,5 mètres et sa section interne doit permettre de respecter ces exigences minimales. Pour les configurations correctes, se référer à la UNI EN 13384-1.

Le conduit de cheminée doit toujours être nettoyé, les résidus de suie réduisent sa section, compromettent le tirage et peuvent générer un feu de cheminée. Une fois par an minimum, confiez le nettoyage du conduit de cheminée à un ramoneur spécialisé mais aussi avant d'allumer le générateur après une certaine période d'inactivité. Le manque de nettoyage compromet le bon fonctionnement de l'appareil.



**Interdiction d'installer d'autres appareils dans le même conduit de cheminée.**

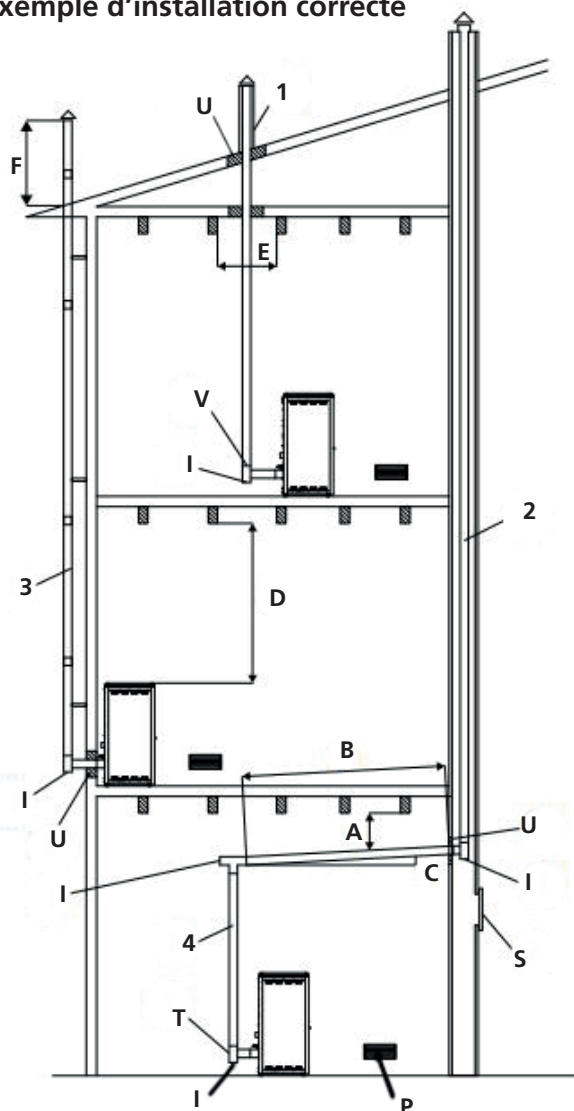
### Branchement au conduit de cheminée

Le raccord entre le poêle et le conduit de cheminée doit être effectué au moyen de tuyaux adaptés (min. T200). Interdiction d'utiliser des tuyaux métalliques flexibles, en fibre de ciment ou en aluminium. La déclivité de la sortie de fumée ne doit pas présenter de sections horizontales supérieures à 2 mètres et son inclinaison doit être de 3% minimum. Le premier changement de direction doit se faire après un minimum de 1,5 mètre de section verticale. Prévoir un moyen d'inspection à la base du canal de fumée pour les contrôles périodiques. Interdiction de brancher plusieurs appareils au même canal de fumée. Maintenir le canal de fumée à bonne distance de tout élément inflammable ou sensible à la chaleur. Pour les distances à respecter, se référer aux indications du fumiste.

### Comment brancher la canalisation (si présente)

À la sortie de la canalisation, il n'est possible de brancher qu'un seul tuyau de 80mm de diamètre et de 8 mètres linéaires maximum. Pour chaque coude de 45°, il faudra considérer une perte équivalente à un mètre de section linéaire (ex. distance maximale sans coudes = 8 mètres; distance maximale avec un coude de 45°  $8 - 1 = 7$  mètres). Il est conseillé d'utiliser des tuyaux de 80mm de diamètre avec une surface interne lisse. Ils doivent être résistants à la chaleur (il convient d'employer un T200 au minimum). Se maintenir à distance de tout objet inflammable et/ou combustible (au moins 50 cm) et des tentures ou meubles.

### Exemple d'installation correcte



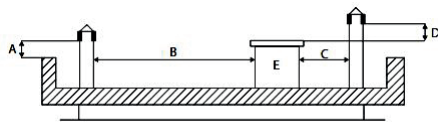
A= 40 MM MINIMUM  
B= 4 M MAXIMUM  
C= 3° MINIMUM  
D= 400 MM MINIMUM

E= DIAMÈTRE TROU  
F= VOIR FIG. 2-3-4-5-6  
U= ISOLANT  
V= ÉVENTUELLE RÉDUCTION  
de 100 à 80 mm

I= BOUCHON D'INSPECTION  
S= PETITE PORTE D'INSPECTION  
P= PRISE D'AIR  
T= RACCORD EN T AVEC BOUCHON  
D'INSPECTION

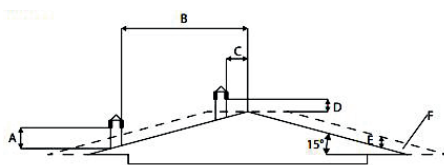
L'espace d'ouverture pour l'évacuation des fumées doit correspondre au moins au double de la section du conduit de cheminée et interdire l'entrée de neige et d'animaux. La hauteur du débouché dans l'atmosphère doit se trouver au-delà de la zone de reflux provoquée par la conformation du toit et/ou autres éventuels obstacles se trouvant à proximité. Veillez à la présence de fenêtres et de lucarnes.

## TOIT DE SOL



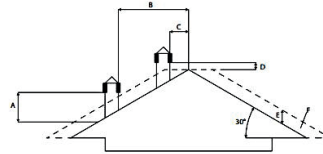
- A = MIN. 0,50 m
- B = DISTANCE > 2,00 m
- C = DISTANCE < 2,00 m
- D = 0,50 m
- E = VOLUME TECHNIQUE

## 15° TOIT



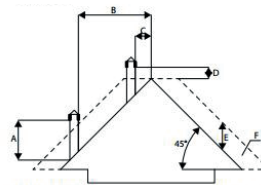
- A = MIN. 1,00 m
- B = DISTANCE > 1,85 m
- C = DISTANCE < 1,85 m
- D = 0,50 m SUR LE COLMO
- E = 0,50 m
- F = ZONE DE REFLUX

## 30° TOIT



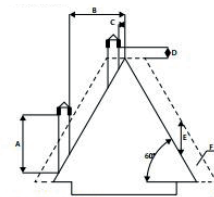
- A = MIN. 1,30 m
- B = DISTANCE > 1,50 m
- C = DISTANCE < 1,50 m
- D = 0,50 m SUR LE COLMO
- E = 0,80 m
- F = ZONE DE REFLUX

## 45° TOIT



- A = MIN. 2,00 m
- B = DISTANCE > 1,30 m
- C = DISTANCE < 1,30 m
- D = 0,50 m SUR LE COLMO
- E = 1,50 m
- F = ZONE DE REFLUX

## 60° TOIT



- A = MIN. 2,60 m
- B = DISTANCE > 1,20 m
- C = DISTANCE < 1,20 m
- D = 0,50 m SUR LE COLMO
- E = 2,10 m
- F = ZONE DE REFLUX

## Réglage des pieds du poêle



Le poêle est livré avec les pieds vissés. Avant l'installation, dévisser les pieds de manière à obtenir un espace de 2 cm entre le sol et le poêle.

**CETTE OPÉRATION EST OBLIGATOIRE POUR LE BON FONCTIONNEMENT DU POÊLE.**



## Chargement de réservoir des granulés de bois

Le chargement des granulés est effectué à travers la porte-couvercle dans la partie supérieure de la poêle. Verser les granulés de bois dans le réservoir. Afin de faciliter la procédure d'exécution de l'opération en deux étapes:

- Verser la moitié du contenu dans le réservoir et attendre que le combustible se dépose sur le fond;
- Versez ensuite dans le reste;
- Gardez le couvercle fermé, après le chargement des granulés de bois, le couvercle du réservoir de carburant;
- Avant de fermer la porte vous assurer qu'il n'y a pas de résidus de granulés autour du joint. Si soigneusement nettoyé pour éviter de compromettre les poques.

Le poêle, étant un produit de chauffage, a les surfaces extérieures particulièrement chauds. Pour cette raison, nous recommandons la plus grande prudence lors de l'utilisation en particulier:

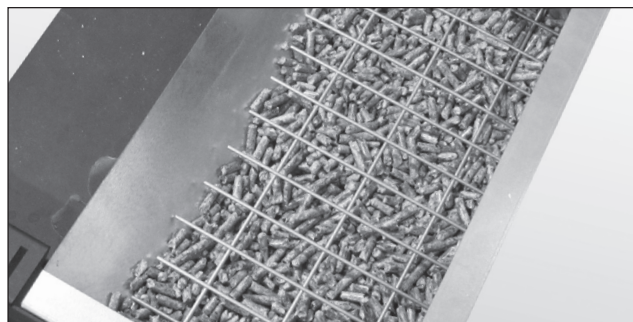
- Ne touchez pas le corps de la poêle et les différentes composantes, ne vous approchez pas de la porte, vous pourriez vous brûler;
- Ne touchez pas les gaz d'échappement;
- Ne procédez à aucun type de nettoyage;
- Ne pas déverser les cendres;
- Ne pas ouvrir le tiroir à cendres;
- Assurez-vous que les enfants ne s'approchent pas.

### SEULEMENT POUR POELE ÉTANCHE.

Pour garantir une étanchéité à l'air, la feuilure du joint de la porte doit d'abord être nettoyée.



**Ne retirez pas la grille de protection dans le réservoir; chargement empêcher le sac de granulés de bois en contact avec des surfaces chaudes.**




- **Utilisez uniquement des granulés de bois;**
- **Tenir/conserver les granulés de bois dans des locaux secs et sans humidité;**
- **Ne versez jamais des granulés de bois directement sur le foyer;**
- **Avant de brancher électriquement la poêle, les tubes d'évacuation doivent être raccordés au conduit de fumée.**
- **Dans le local d'installation de la poêle, il doit y avoir un renouvellement d'air suffisant;**
- **Ne jamais ouvrir la porte de la poêle pendant le fonctionnement.**
- **Ne pas utiliser la poêle comme incinérateur; l'appareil de chauffage doit être utilisé uniquement pour son usage prévu. Toute autre utilisation est considérée comme impropre et donc dangereuse.**
- **Ne pas mettre dans la trémie autres que des granulés de bois;**
- **Lorsque la poêle fonctionne, les surfaces, la vitre, les poignées et les conduites sont brûlantes: durant le fonctionnement, ne pas toucher ces parties sans protections adaptées;**

## Granulés de bois

Les granulés de bois sont des cylindres de bois comprimé, fabriqués à partir de sciure de bois et transformation du bois (copeaux et la sciure), généralement produits par les scieries et les charpentiers. La capacité de liaison de la lignine contenue dans le bois, permet d'obtenir un produit compact sans ajout d'additifs et de produits chimiques étrangers au bois, un combustible naturel est obtenu avec un rendement élevé. L'utilisation des granulés de bois ou de tout autre matériau inadapté expiré peut endommager des pièces de la poêle et peut affecter le fonctionnement: cela peut conduire à la cessation de la garantie, et sa responsabilité de producteur. En termes d'évaluation de portée du plancher, il est possible de déposer au maximum 1,5m<sup>3</sup> de combustible, ce qui correspond à environ 975kg de pellet. **Pour nos produits, doivent être utilisées a granulés de bois avec un diamètre de 6 mm, longueur de 30 mm et un maximum de 8% d'humidité et certifiés A1 conformément à la norme UNI EN ISO 17225-2. Conserver les granulés de bois loin des sources de chaleur et non pas dans des environnements humides ou avec des atmosphères explosives.**

# Allumage de le poêle

## Premier allumage du poêle

- Avant de l'allumage, vérifier que le brasier soit vidé de toute la granulé et de tous les résiduels des précédents combustions. En cas contraire, vider et nettoyer le brasier même.
- Remplir au 3/4 le réservoir avec le pellet conseillé par le fabricant
- Brancher le poêle à une prise de courant avec le cordon spécifique fourni
- Appuyer sur l'interrupteur d'allumage placé à la partie arrière du poêle
- Le message **"OFF"** s'affichera sur l'écran
- Appuyer sur le bouton  pendant 2 secondes. Au bout de quelques instants, l'extracteur de fumées et la résistance d'allumage s'allument, et s'affiche le message **"FAN ACC"**; le bougie s'allume
- Après 1 minute environ le message **"LOAD WOOD"**, le poêle charge alors les granulés de bois et continue l'allumage de la résistance
- Une fois atteinte la température adéquate le message **"FIRE ON"**: s'affiche à l'écran: cela signifie que le poêle est passé à la dernière phase d'allumage à la fin de laquelle sera complètement opérationnel; le témoin petite résistance chauffante s'éteint
- Après quelque minute, sur l'écran s'affiche l'écriture **"ON 1-2-3-4-5"** et à côté de la température de l'ambiance, il s'affiche la puissance du travail actuel. Le poêle est maintenant complètement opératif
- Dans le cas du rejoignement de la température mise en place dans l'écran, il apparaîtra l'écriture **"ECO"**
- La LED de température s'allume lorsque la température définie est atteinte.



**Retirer de la chambre de combustion et le porte tous les composants de l'emballage. Ils peuvent brûler (manuels et diverses étiquettes adhésives).**



**Le brasier doit être nettoyé avant chaque allumage.**



**Avant l'allumage, il est possible qu'un peu de fumée remplisse la chambre de combustion.**





**POUR LE TECHNICIEN SPÉCIALISÉ : à la fin de l'installation, instruire verbalement l'utilisateur sur l'utilisation et l'entretien corrects du poêle.**



**Nous vous recommandons vivement de faire effectuer à notre Centre de Service Autorisé l'installation et le premier allumage de l'appareil car non seulement il réalise l'installation parfaitement, mais vérifie également le fonctionnement régulier de celui-ci. Lors du premier allumage, il faut ventiler soigneusement le local: des odeurs désagréables pourraient se dégager de la peinture et de la graisse dans le faisceau tubulaire.**

## Extinction du poêle

Pour éteindre le poêle, appuyer sur le bouton , qui se trouve sur le tableau de commande, jusqu'à ce que l'écran affiche le message **"OFF"**. Après l'extinction du poêle, l'extraction de fumée continue à fonctionner pour un moment préétabli pour garantir une expulsion rapide des fumées dans la chambre de combustion.

Pour les modèles équipés de la télécommande, il suffit d'éteindre en maintenant le bouton  pendant 2 secondes et puis successivement confirmer le choix en poussant sur le bouton SEND.

Si vous essayez de passer le chauffe-eau à ce stade de l'écran affichera le message **"ATTE"** pour prévenir l'utilisateur que le poêle commence son cycle d'extinction.

Attendre le complètement du cycle même et que sur l'écran s'affiche le message **"OFF"** pour avancer avec un nouveau allumage.

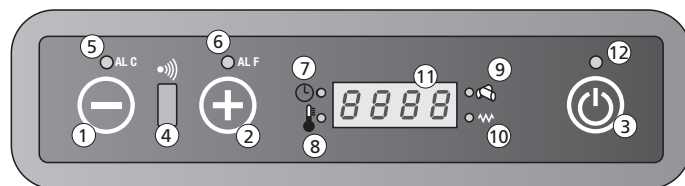
## REMARQUE:

- ne pas allumer le poêle par intermittence. Cela peut provoquer des étincelles qui peuvent réduire la durée de vie des composants électriques;
- ne pas toucher le poêle avec les mains mouillées. Le poêle intégrant des composants électriques, il y a un risque d'électrocution en cas de mauvaise manipulation. Seuls les techniciens agréés peuvent résoudre les éventuels problèmes;
- n'enlever aucune vis de la chambre de combustion sans l'avoir bien lubrifiée préalablement;
- ne jamais ouvrir la porte du poêle à granulés de bois lorsqu'il fonctionne;
- s'assurer que le panier du brasier est correctement placé;
- on rappelle que tous les parties de tube expulsion fumes doivent être inspectées. Dans le cas qu'il soit fix il doit avoir des ouvertures pour le nettoyage.



## Fonctions du display

1. Diminution température et puissance
2. Augmentation température et puissance
3. Bouton On/Off (Marche/Arrêt)
4. Boîtier télécommande
5. Témoin ALC
6. Témoin ALF
7. Témoin Chrono Thermostat
8. Témoin température OK
9. Témoin chargement pellet
10. Témoin (petite résistance chauffante)
11. Display lumineux 7 segments
12. Témoin On/Off (Marche/Arrêt)



### 1. Diminution température et puissance

Le bouton à l'intérieur du Menu Set Température, diminue la température d'une valeur maximum de 40° à une valeur minimum de 7°. Le bouton à l'intérieur du Menu Set Puissance, diminue la puissance de travail du poêle à un maximum de 5 à un minimum de 1.

### 2. Augmentation température et puissance

Le bouton à l'intérieur du Menu Set Température, augmente la température d'une valeur minimum de 7° à une valeur maximum de 40°. A l'intérieur du Menu Set Puissance, augmente la puissance de travail du poêle à un minimum de 1 à un maximum de 5.

### 3. Bouton On/Off

Tenir enfoncé le bouton au moins 2 secondes pour allumer ou éteindre le poêle.

### 4. Boîtier télécommande

Touches fonction télécommande.

### 5. Témoin ALC

Le témoin clignote en cas d'une anomalie de fonctionnement ou d'une alarme.

### 6. Témoin ALF

Le témoin clignote en cas d'une anomalie de fonctionnement ou d'une alarme.

### 7. Témoin Chrono Thermostat

Le témoin indique que la programmation automatique des ascensions et des extinctions singulières ou journalières est active. La programmation automatique peut être effectuée seulement avec la télécommande.

### 8. Témoin température OK

Le témoin s'allume quand la température désirée est atteinte. Dans ce cas, il sera écrit sur le display "Eco", en fonction de la température ambiante.

### 9. Témoin chargement pellet

Le témoin clignote temps en temps au cours du chargement des pellets à l'intérieur du poêle.

### 10. Témoin petite résistance

Elle s'active seule en phase d'ascension pour indiquer le réchauffement de l'air nécessaire pour réchauffer le granulés de bois.

### 11. Display lumineux 7 segments

Sur le tableau lumineux, on peut visualiser 7 témoins du poêle. La température et la puissance du travail introduites par l'utilisateur. Dans le cas d'un mauvais fonctionnement du poêle, voir la source de l'erreur sur le tableau lumineux (voir paragraphe signalisation alarme).

### 12. Témoin On/Off

Le témoin indique les diverses étapes du poêle:

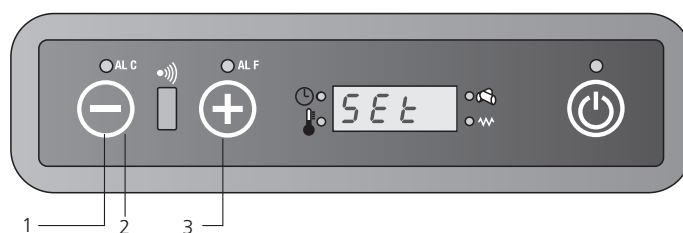
- s'allume lorsque le poêle fonctionne
- est éteint quand le poêle est éteint, en position Off
- clignote quand le poêle est en cours de cycle d'extinction.



## Régulation du poêle

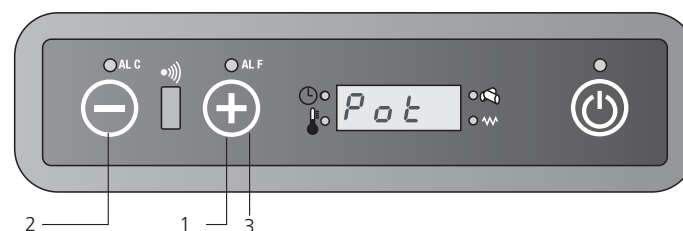
### Modification de la température ambiante désirée.

Pour varier la température désirée, procéder comme suit: presser une fois le bouton  $\ominus$  (1) pour rentrer dans le menu de la température. A ce moment, sur le tableau s'affichera le mot "Set" qui précise la température ambiante. Les boutons  $\ominus$  (2) et  $\oplus$  (3) permettent de diminuer ou d'augmenter la température désirée. Pour sortir du menu "SET", les valeurs changent automatiquement après quelques secondes d'inactivité à l'intérieur du menu lui-même.



### Modification de la puissance de travail

Pour varier la puissance de travail voulue, procéder comme suit: pousser une fois sur le bouton  $\oplus$  (1) pour entrer dans le menu de la puissance de travail. Sur le tableau va s'afficher le mot "Pot" qui indique la puissance que l'on peut sélectionner entre 5 disponibilités. Les boutons  $\ominus$  (2) et  $\oplus$  (3) permettent de diminuer ou d'augmenter la température désirée. Pour sortir du menu Set puissance, les valeurs changent automatiquement après quelques secondes d'inactivités à l'intérieur du menu lui-même.



# Télécommande (en option)

## Boutons et fonctions principales

La télécommande permet de contrôler le poêle entre autre la programmation automatique de la variation de température ou de l'extinction.

REMARQUE : Le réglage de l'heure n'est possible qu'avec la télécommande.

Utilisation de la télécommande:

1. Diriger la télécommande vers le panneau de commande du poêle.
2. Vérifier qu'il n'y a pas d'objet interposé entre la télécommande et le tableau de réception du poêle.
3. Toute manœuvre effectuée sur la télécommande sera transmise vers le poêle en pressant sur le bouton "SEND".

Dès l'envoi de l'ordre, on entendra un signal sonore de confirmation.



### On/Off

La fonction On/Off est utilisée pour allumer ou éteindre le poêle et la télécommande. Tenir le bouton enfoncé 2 secondes pour allumer ou éteindre le système après avoir poussé sur le bouton SEND.



Les 2 boutons permettent de régler la température voulue entre un minimum de 7 °C et un maximum de 40 °C.



Ordre de séquence du fonctionnement automatique:

 Fonctionnement automatique

- puissance 1 (on1)
- puissance 2 (on2)
- puissance 3 (on3)
- puissance 4 (on4)
- puissance 5 (on5)



### SEND

Est utilisé quand on veut envoyer les informations de la télécommande vers le tableau du poêle.



### ECONO

Pour activer ou désactiver la fonction ECONO, maintenir le bouton enfoncé pendant 2 secondes.







### TURBO

Activer ou désactiver la fonction TURBO.

Appuyez et maintenez enfoncé le bouton pendant 2 secondes pour régler la fonction ou non.

**FONCTION HORLOGE**

Pour régler l'horloge sur la télécommande, procéder comme suit:

- pousser  et l'heure commence à clignoter.
- avec les boutons  et  régler l'heure et les minutes.
- repousser de nouveau  pour confirmer et Appuyer sur "SEND" pour envoyer l'information.

**ON1**

Avec cette fonction, on peut programmer un horaire simple d'ascension automatique (programme 1).

**OFF1**

Cette fonction permet la sélection d'un horaire simple d'extinction automatique du système (programme 1).

**ON2**

Avec cette fonction, on peut programmer un horaire simple d'ascension automatique (programme 2).

**OFF2**

Cette fonction permet la sélection d'un horaire simple d'extinction automatique du système (programme 2).

**AUTO**

Cette fonction consent à habilitier la répétition journalière des éventuelles ascensions/extinctions automatiques avec les programmes 1 et 2.

Tenir enfoncé pour au moins 2 secondes ce bouton pour activer ou désactiver cette fonction.

**CANCEL**

Cette fonction est utilisée si l'on désire effacer d'éventuels programmes horaires encodés.

**BOUTON DE VERROUILLAGE / DÉVERROUILLAGE**

Maintenez le bouton enfoncée au moins 2 secondes pour activer / désactiver cette fonction. (Non disponible sur l'écran LCD 2)

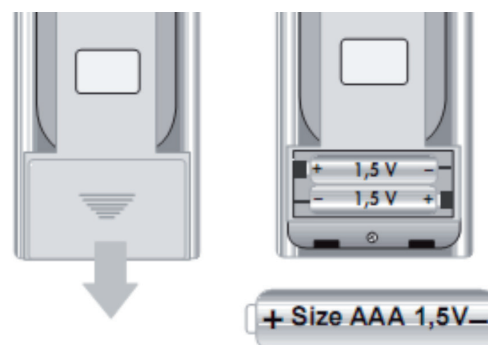
**SLEEP**

Activez la fonction SLEEP.



Cette fonction permet, une heure après l'envoi de la commande, d'abaisser automatiquement la température réglée de 1 ° C. (Non disponible sur LCD 2)

**Remplacement des piles de la télécommande**

En cas de remplacement des piles de la télécommande, enlever le couvercle postérieur comme indiqué sur le schéma. Remplacer les anciennes piles par les nouvelles en respectant la polarité + et -. Les piles à utiliser sont de type AAA de 1.5V.



## Modification de la température

La valeur de la température peut être variée avec les touches  (1) et  (2) à partir d'un minimum de 7° C et un maximum de 40° C.

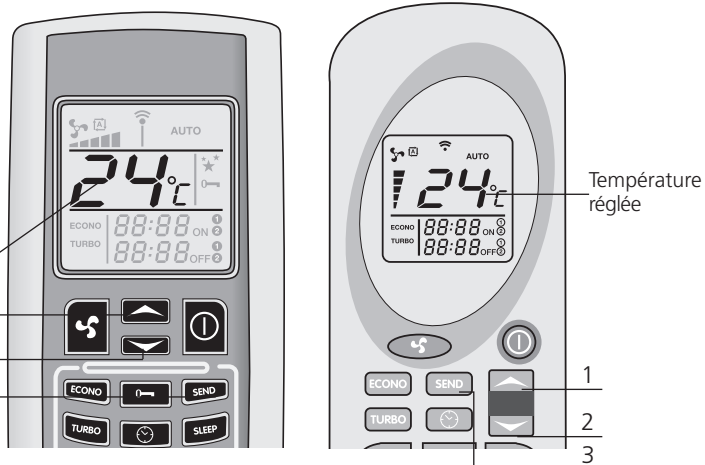
Enfoncer la fonction  (3) pour envoyer une fois choisies les fonctions horaires journalières.

Température réglée


1

2

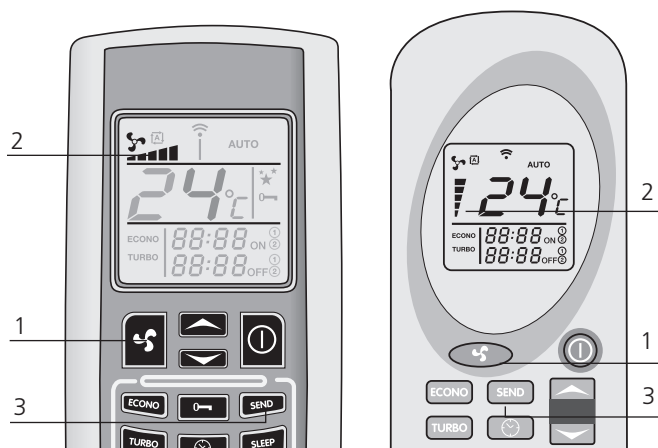
3






## Modification de la puissance

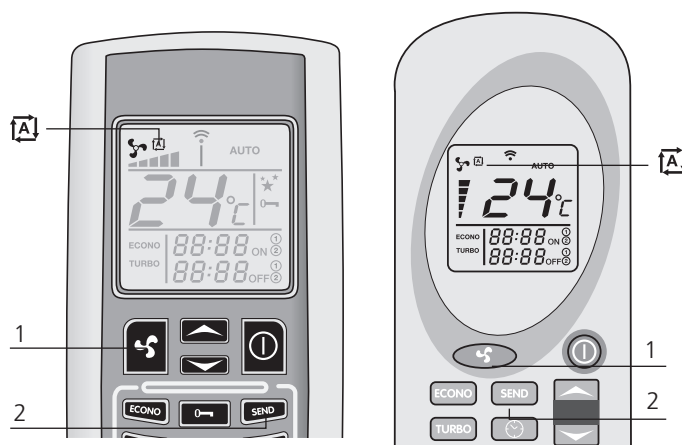
La puissance de travail du poêle peut être sélectionnée au moyen de la touche  (1). L'affichage (2) présent sur le tableau de la télécommande indique les cinq puissances de travail disponibles. Pousser sur la fonction SEND (3) pour confirmer le choix. Sur le panneau commande du poêle, apparaîtra l'écriture on1-on2-on3-on4-on5.

Il est possible de choisir aussi la fonction automatique. Pour cette fonction, se référer au paragraphe Fonction Puissance automatique (pour la description du fonctionnement du poêle).



## Fonctionnement puissance automatique

On accède à cette fonction en appuyant sur le bouton  (1), jusqu'au moment où apparaît sur le tableau le symbole . Enfoncer le bouton SEND (2) pour envoyer les données. Sur le panneau commande du poêle s'inscrira "Auto", et on verra apparaître aussi la température ambiante. En effectuant cette manœuvre, le tableau électronique sélectionne automatiquement la puissance de travail en fonction des degrés de différence entre la température désirée et la température ambiante relevée par la sonde présente sur l'arrière du poêle. Appuyer de nouveau , sélectionner la puissance voulue en appuyant sur la fonction SEND pour revenir au fonctionnement traditionnel.

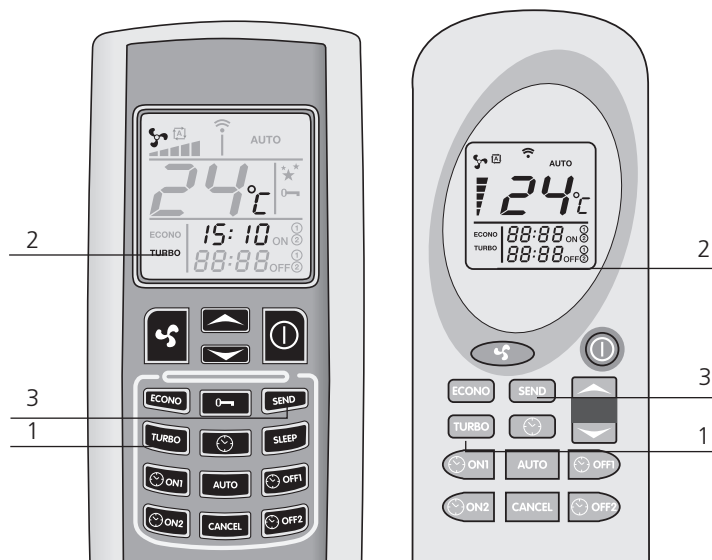


## Fonction TURBO

La fonction TURBO a été étudiée pour satisfaire la nécessité de réchauffement d'une ambiance rapidement; par exemple, quand le poêle vient d'être allumé. De telle manière que le poêle travaille au maximum de la puissance pour une période maximum de 30 minutes élevant la température automatiquement à 30° C. Au terme des 30 minutes prévues (ou avant si entre-temps le poêle reçoit d'autres instructions de la télécommande). Si il n'y a aucune intervention de la télécommande, le poêle continue son cycle normalement. Pour activer cette fonction, il est nécessaire de maintenir enfoncé minimum 2 secondes le bouton TURBO (1). Sur le tableau de la télécommande, il sera inscrit TURBO (2) tandis que la température imposée de travail disparaîtra.

Pousser sur le bouton SEND (3) pour envoyer la modification au tableau du poêle.

Le panneau de commande présent sur le top supérieur du poêle, il sera inscrit Turb. Pour désactiver cette fonction avant les 30 minutes prévues, repousser sur le bouton TURBO (1) pour au moins 2 secondes sur le tableau de la télécommande. Le mot TURBO disparaîtra. Tandis que seront à nouveau disponibles la sélection puissance et température. Pousser sur le bouton SEND pour confirmer les modifications.



## Fonction ECONO

La fonction ECONO est une fonction d'épargne à utiliser pour maintenir et stabiliser la température ambiante. De cette façon, le poêle abaisse toutes les dix minutes la puissance de travail, de manière à arriver à la puissance 1. Pour activer cette fonction, il est nécessaire de tenir enfoncé 2 secondes au moins le bouton en gras imprimé ECONO (1). Sur le tableau de la télécommande apparaîtra l'écriture ECONO (2), ainsi la température imposée et la puissance de travail disparaîtront. Pousser sur SEND (3) pour confirmer la commande. Le tableau de commande se trouvant sur le top supérieur du poêle indiquera ECON, précisant la température ambiante et la puissance de travail avant d'avoir activé la fonction ECONO.

Pour revenir au fonctionnement normal, pousser de nouveau le bouton ECONO (1) au moins 2 secondes.

Sur le tableau de la télécommande, disparaîtra le mot ECONO, seront de nouveau disponible les sélections puissance et température. Pousser le bouton SEND (3) pour confirmer la modification.









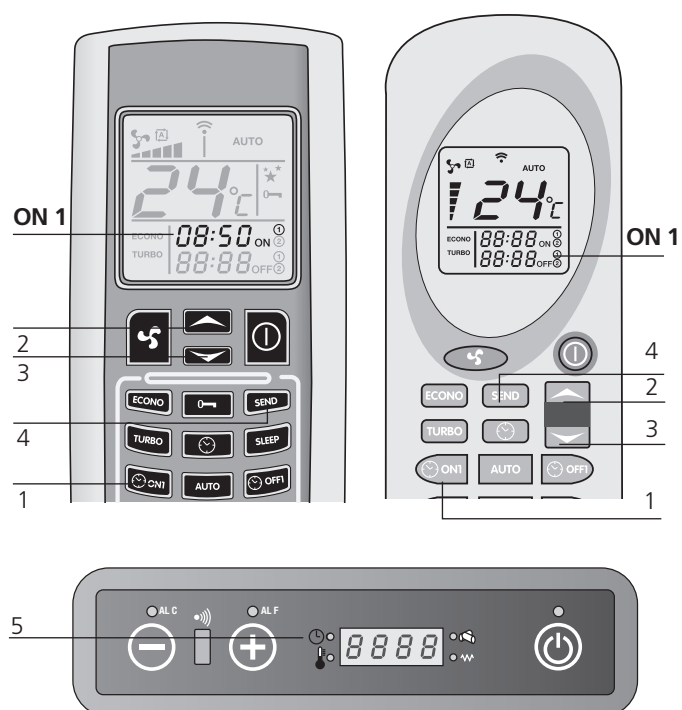


- Les heures d'allumage et d'extinction automatiques doivent être programmée à l'aide de la télécommande sur Off;
- Une éventuelle coupure de courant, même pour un court instant entraînera la perte des dates, des heures éventuelles des allumages et extinctions automatiques programmés. Au retour du courant, il est nécessaire d'effectuer une nouvelle programmation de la télécommande;
- La température et la puissance du fonctionnement du poêle seront celles de la programmation avant la coupure de courant;
- Entre une extinction et un nouvel allumage, prévoir au moins un temps minimum de 20 minutes, de manière à permettre au poêle un cycle complet de refroidissement. Dans le cas où ces consignes ne seraient pas respectées, un allumage éventuel ne s'effectuera pas.







## Programme 1 (ON1 et OFF1)

### Allumage automatique ON1

Pour programmer l'heure d'allumage automatique du programme 1, procéder de la manière suivante: Pousser le bouton  (1). L'heure et les minutes sur la télécommande commenceront à clignoter, comme le symbole ON1. Les boutons  (2) et  (3) servent à varier l'heure d'allumage désiré endéans les 10 minutes. Pour un défilement plus rapide de l'heure, il suffit de tenir enfoncé les boutons  (2) et  (3). Confirmer le choix en poussant de nouveau le bouton  (1). A ce moment sur la télécommande, on pourra lire de manière stable l'heure d'allumage sélectionné. Appuyer sur SEND (4) pour envoyer le changement de commande au poêle. Sur le panneau de commande s'allumera le symbole chronothermost, qui indique que la programmation est activée (5).



### Extinction automatique OFF1

Appuyer sur le bouton  (1). L'heure et les minutes de la télécommande commenceront à clignoter comme le symbole OFF1. Les boutons  (2) et  (3) servent à varier l'heure d'extinction désiré endéans les 10 minutes. Pour un défilement plus rapide de l'heure, il suffit de tenir enfoncé les boutons  (2) et  (3). Confirmer le choix en poussant de nouveau le bouton  (1). A ce moment sur la télécommande, on pourra lire de manière stable l'heure d'extinction sélectionné. Appuyer sur SEND (4) pour envoyer le changement de commande au poêle. Sur le panneau de commande s'allumera le symbole chronothermostat, qui indique que la programmation est activée. Après l'allumage et l'extinction automatique, le témoin chronothermostat s'éteint et la télécommande n'affiche plus les horaires réglés précédemment.






## Programme 2 (ON2 et OFF2)

Comme au-dessus, seulement avec bouton ON2 et OFF2

### Suppression des heures programmées

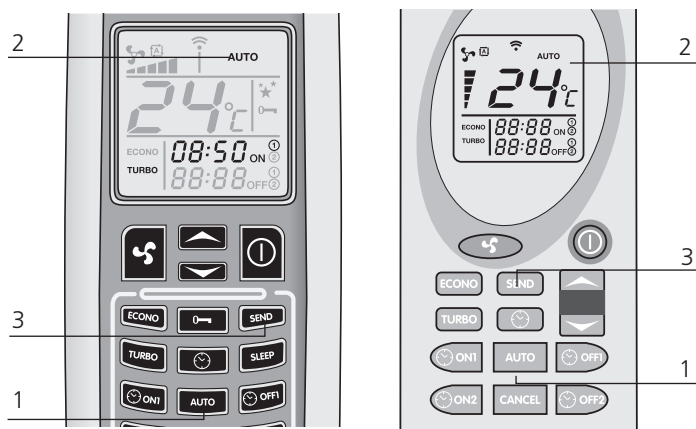
Pour effacer les heures programmées, procéder de la manière suivante. L'exemple fait référence à extinction automatique du programme 1 (OFF1), la procédure est identique pour tous les horaires. Pousser le bouton correspondant à l'heure d'allumage ou d'extinction que l'on veut effacer. Faisant référence à l'exemple, pousser le bouton  (1). L'heure et les minutes sur la télécommande commenceront à clignoter, ainsi que le symbole OFF1. Enfoncer la touche CANCEL (2) pour effacer de la télécommande le ou les horaire(s) d'allumage ou d'extinction automatique que l'on désire éliminer. Pousser le bouton SEND (3) pour envoyer la programmation au poêle.




### Répétition journalière AUTO

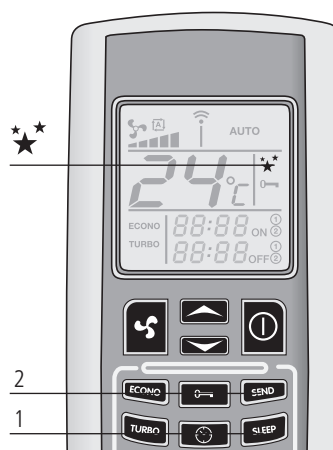
La fonction AUTO consiste à répéter quotidiennement les allumages et les extinctions automatiques programmés.

Pour activer cette fonction, tenir enfoncé le bouton AUTO (1) pendant au moins 2 secondes. Sur la télécommande apparaît le mot AUTO (2). Pousser sur SEND (3) pour confirmer et transmettre la commande au poêle. Sur le panneau de commande s'allumera le symbole chronothermostat qui indique que la programmation est active. A tout moment, il est possible de supprimer la programmation journalière automatique, pousser de nouveau sur le bouton AUTO pour au moins 2 secondes. Sur le tableau disparaîtra la fonction AUTO. Pousser sur SEND pour confirmer l'ordre.



### Fonction SLEEP (pas disponible en LCD2)

La fonction SLEEP est une fonction économique également, de telle manière qu'après une heure de son activation, le système prévoit d'abaisser automatiquement la température de 1 d°. Pour sélectionner la fonction SLEEP, il est nécessaire d'appuyer sur le bouton SLEEP (1) sur la télécommande. Sur le présentoir de la télécommande s'inscrira le symbole . Appuyer sur le bouton SEND (2) pour transmettre l'ordre au poêle. Le panneau de commande indiquera le nouveau changement et s'inscrira le mot « SLEE » indiquant la puissance de travail du poêle. Il est possible de désactiver la fonction SLEEP à n'importe quel moment, poussant de nouveau le bouton SLEEP et successivement le bouton SEND pour confirmer la modification.



**N.B.:** Si le poêle travaille en puissance « AUTO » il est impossible d'activer la fonction SLEEP.



**Nettoyer le brasier avant de chaque allumage automatique afin d'éviter des erreurs d'allumage qui peuvent endommager le poêle et l'environnement.**

## Signaux d'alarme

En cas d'une anomalie de fonctionnement de le poêle, le système informe à l'utilisateur le type de panne vérifié. Dans le tableau suivant sont résumées les alarmes, le type de problème et la solution possible:

### No acc

Se vérifie quand la période prévue pour l'allumage dure plus ou moins 15 minutes, la température des fumées est encore insuffisante. Cette alarme peut être vérifiée aussi en cas de surcharge de combustible (granules de bois) à l'allumage. Pousser sur le bouton On/Off sur le panneau de commande pour effacer l'alarme. Attendre que le cycle de refroidissement soit complètement terminé, nettoyer le creuset et procéder à un nouvel allumage.

### No fire

Se présente en cas d'extinction du poêle durant la phase de travail (exemple: manque des granules de bois dans le réservoir). Le message **Alarm No Fire** s'affiche à l'écran. Pousser sur le bouton On/Off sur le panneau de commande pour effacer l'alarme. Attendre que le cycle de refroidissement soit complètement terminé, vider le creuset et procéder à un nouvel allumage.

### Cool fire

En cas de panne de courant, même pour une durée de quelques secondes, le poêle s'éteint. Lorsque le courant revient, le poêle effectue un cycle d'extinction et sur le tableau du poêle apparaît le signal **COOL FIRE**. Le cycle de refroidissement terminé, le poêle redémarre automatiquement.

**REMARQUE: pour les modèles équipés de télécommande**, pour vérification de l'alarme, se rappeler de procéder de nouveau à la programmation des horaires d'allumage et d'extinction automatique éventuellement encodés. Le manque de courant comporte en effet la perte des horaires encodés précédemment. **Une fois le courant rétabli, appuyez sur la touche SEND de la télécommande pour retransmettre la programmation automatique que vous avez préalablement définie sur le poêle.**

1. Bouton d'allumage
2. Fusible F4AL250V
3. Bouton réenclenchement thermostat
4. Sonde ambiant

### Fan fail

Se vérifie dans le cas où l'extracteur des fumées est défectueux ou dans le cas où sur le tableau la vitesse du ventilateur des expulsions des fumées n'est pas relevée. Dans ce cas, effacer l'alarme en poussant sur le bouton On/Off et contacter le Centre d'Assistance autorisée.

### Dep Sic fail

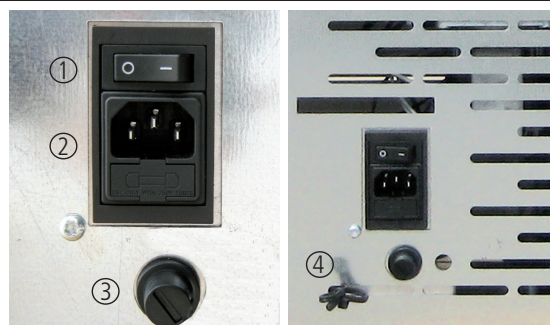
Cette alarme est accompagnée du témoin lumineux ALF et ALC sur le panneau de commande. Indiquant 2 possibilités : une obstruction de l'échappement des fumées ou une surchauffe du poêle. Dans ce cas, la réduction de moteur pour le chargement se bloque et le poêle se met en mode d'extinction. Effacer l'alarme en appuyant sur le bouton On/Off. Vérifier l'intervention du thermostat à réenclenchement manuel au derrière du poêle (3). Dévisser le bouchon de protection et appuyer sur le bouton en bas. En cas de blocage répétitif de ce problème, contacter le Centre d'Assistance technique.

### Sond fumi

Se présente dans le cas où la sonde est défectueuse concernant le relevé de la température des fumées. Sur l'écran apparaît les mots **Alarm Sond fumi**. Dans ce cas, effacer l'alarme en poussant sur le bouton On/Off et contacter le Centre d'Assistance.

### Serv

Lorsque "Serv" apparaît sur l'écran, cela signifie que le poêle a atteint 1200 heures de fonctionnement. Nous vous recommandons de contacter le centre de service agréé pour l'entretien saisonnier.



Les opérations de contrôle doivent être réalisées par l'utilisateur, contacter le Centre d'assistance technique seulement en cas de ne pas trouver de solution.

# Entretien et nettoyage du poêle

Avant d'effectuer tout entretien sur le poêle, prenez les précautions suivantes :

- s'assurer que toutes les parties du poêle sont froides ;
- s'assurer que les cendres sont complètement éteintes ;
- s'assurer que l'interrupteur principal est en position OFF ;
- débrancher la fiche de la prise, évitant ainsi tout contact accidentel ;
- une fois la phase de maintenance terminée, vérifier que tout est en ordre comme avant l'intervention (le brasier correctement positionné).



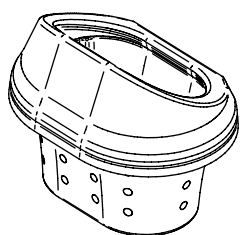
**Veillez suivre attentivement les instructions suivantes pour le nettoyage.  
La non-conformité peut entraîner des problèmes dans le fonctionnement du poêle.**

## Nettoyage et support du brasier

Lorsque la flamme prend des tons rouges ou est faible, accompagnée de fumée noire, cela signifie qu'il y a des dépôts de cendres ou d'incrustations qui ne permettent pas le bon fonctionnement du poêle et qui doivent être enlevés.

Chaque jour, retirez le brasier en le soulevant simplement de son siège ; puis nettoyez-le des cendres et des incrustations qui pourraient se former, en accordant une attention particulière à la libération des trous bouchés à l'aide d'un outil pointu (non fourni avec le poêle). Cette opération est nécessaire en particulier les premières fois à chaque allumage, surtout si des pellets autres que ceux recommandés par le fabricant sont utilisés. La fréquence de cette opération est déterminée par la fréquence d'utilisation et le choix du pellet.

Il est également bon de vérifier le support du brasier en aspirant les cendres présentes avec un aspirateur.



Brasier



Support brasier

## Tiroir à cendres

Ouvrez la porte et retirez avec un aspirateur toutes les cendres déposées à l'intérieur du compartiment de collecte de cendres. Cette opération peut être effectuée plus ou moins fréquemment en fonction de la qualité des pellets utilisés.

## Nettoyage de la vitre

La vitre est autonettoyante, de sorte que, pendant que le poêle est en fonctionnement, un voile d'air s'écoule le long de la surface de la même en éloignant les cendres et la saleté ; cependant, au bout de quelques heures, une patine grisâtre se formera, pour être nettoyée lorsque le poêle est éteint pour la première fois. Le noircissement du verre dépend également de la qualité et de la quantité de pellets utilisés.

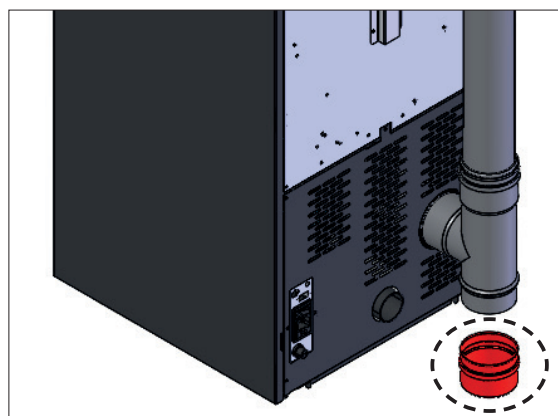
La vitre doit être nettoyée lorsque le poêle est froid avec des produits recommandés et testés par notre entreprise. Lorsque cette opération est effectuée, toujours observer si le joint gris autour de la vitre est en bon état ; l'absence de contrôle de l'efficacité de ce joint peut compromettre le fonctionnement du poêle. Cependant, des pellets de mauvaise qualité peuvent provoquer le noircissement du verre.



**En cas de bris de vitre, n'essayez pas d'allumer le poêle.**

## Nettoyage raccord en T

Tous les 45 jours, il est nécessaire de vérifier et, le cas échéant, de nettoyer le raccord en T.



## Nettoyage des surfaces

Pour nettoyer les surfaces, utilisez un chiffon imbibé d'eau ou tout au plus d'eau et de savon neutre.



**L'utilisation de détergents ou de diluants agressifs endommage les surfaces du poêle. Avant d'utiliser un détergent, il est conseillé de l'essayer sur un point non visible ou de contacter le centre d'aide autorisé pour obtenir des conseils à ce sujet.**

## Nettoyage des pièces métalliques

Pour nettoyer les parties métalliques du poêle, utilisez un chiffon doux, humidifié avec de l'eau. Ne nettoyez jamais les pièces métalliques avec de l'alcool, des diluants, de l'essence, des acétones ou d'autres dégraissants. En cas d'utilisation de ces substances, notre entreprise décline toute responsabilité. Toute variation des nuances des pièces métalliques peut être imputable à une mauvaise utilisation du poêle.

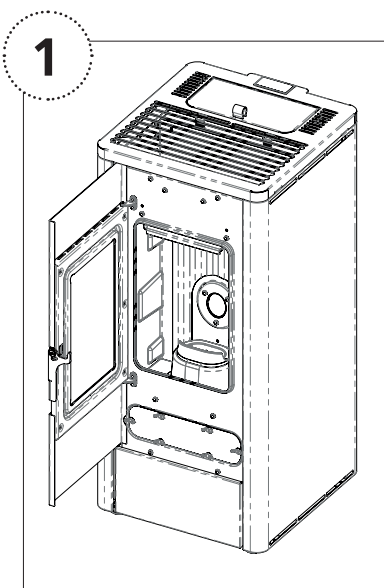


**Il est nécessaire d'effectuer le nettoyage quotidien du brasier et périodique du tiroir à cendres. Un nettoyage réduit ou insuffisant peut dans certains cas empêcher le poêle de s'allumer avec des dommages conséquents pour le poêle et l'environnement (émissions possibles d'imbrûlés et de suie). Ne réintroduisez pas le pellet qui peut être présent dans le brasier en raison de la non-inflammation.**

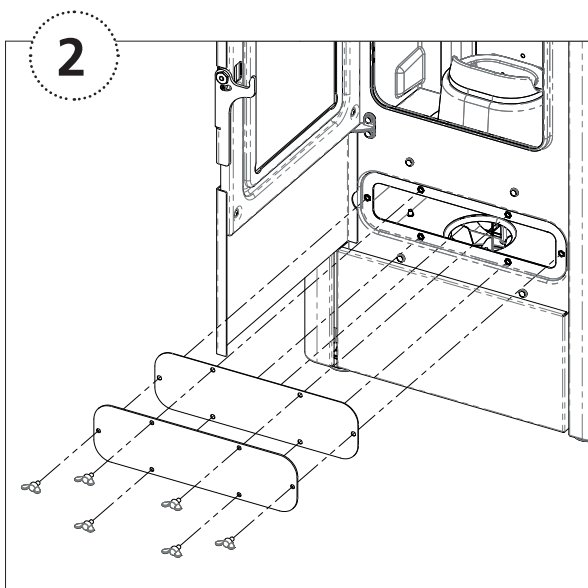
## Entretien et nettoyage poêle Extraordinaire

**PAR LE TECHNICIEN SPÉCIALISÉ**  
Contrôle annuel

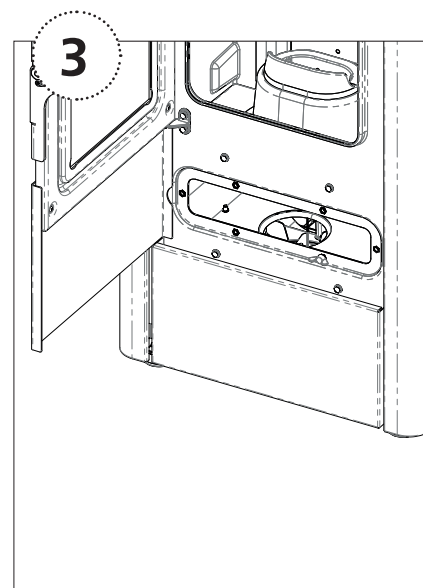
### Nettoyage des tubes d'échangeurs



**1**  
Ouvrez la porte de votre poêle.

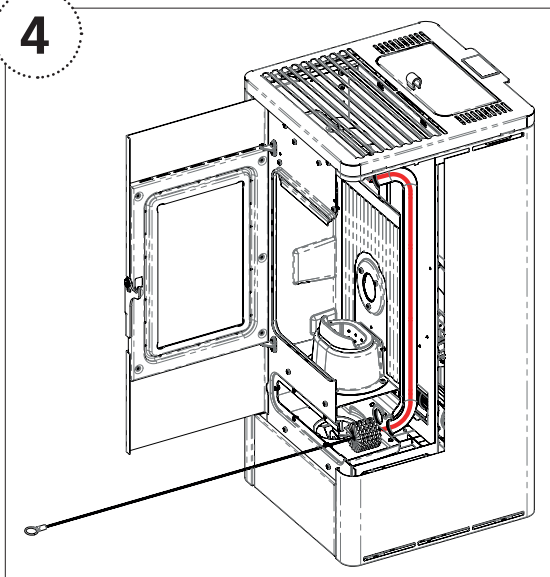


**2**  
Retirer les vis et retirer le couvercle d'inspection.



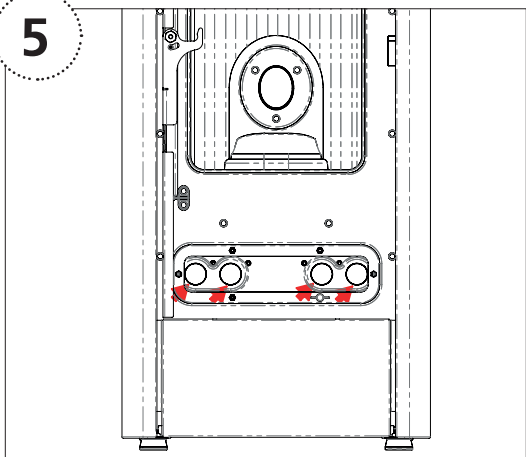
**3**  
Nettoyer le compartiment d'inspection.

4



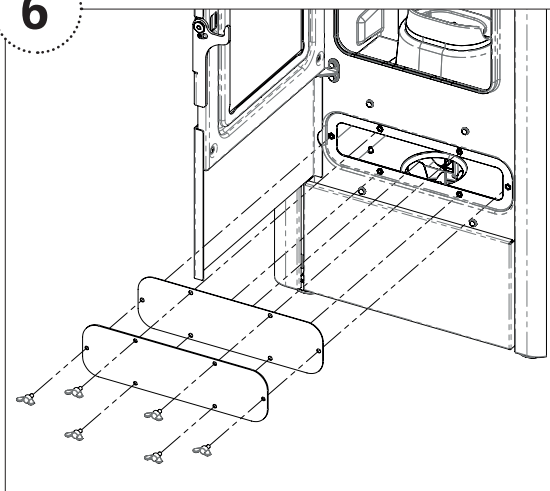
Avec la brosse appropriée, nettoyer les tuyaux d'échange. Pour faciliter l'insertion, il est recommandé de plier la pointe de la brosse.

5



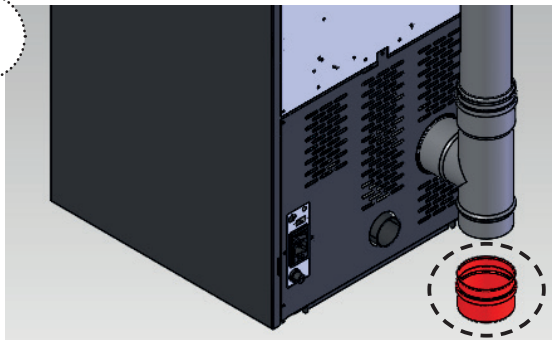
Effectuer le nettoyage pour chacun des 4 trous indiqués par les flèches.

6



Remonter le couvercle et les joints de l'inspection des fumées en vissant les vis.

7



Retirer le bouchon et nettoyer le raccord en T situé derrière le poêle.

### Nettoyage du système d'évacuation

Tant que vous n'acquerez pas une expérience raisonnable des conditions d'exploitation, il est recommandé de fournir cette maintenance au moins une fois par mois.

- débrancher le cordon d'alimentation électrique ;
- retirer le bouchon du raccord en T et procéder au nettoyage des conduits ; si nécessaire, au moins pour les premières fois, s'adresser à du personnel qualifié ;
- nettoyer soigneusement le système d'évacuation des fumées : pour ce faire, contacter un ramoneur professionnel ;
- nettoyer de la poussière, des toiles d'araignée, etc. la zone derrière les panneaux de revêtement intérieur une fois par an, en particulier les ventilateurs.

### Nettoyage des ventilateurs

Le poêle est équipé de ventilateurs (environnements et fumées) positionnés au fond du poêle lui-même. Tout dépôt de poussière ou de cendres sur les pales des ventilateurs entraîne un déséquilibre qui provoque du bruit pendant le fonctionnement. Il est donc nécessaire de nettoyer les ventilateurs au moins une fois par an. Puisque cela implique de devoir démonter certaines parties du poêle, faites nettoyer le ventilateur uniquement par notre Centre de service agréé.

### Nettoyage de fin de saison

À la fin de la saison, lorsque le poêle n'est plus utilisé, un nettoyage plus approfondi et général est recommandé :

- retirez tous les pellets du réservoir et de la vis sans fin ;
- nettoyez soigneusement le brasier, le support de brasier, la chambre de combustion et le tiroir à cendres.

Si les points précédents ont été observés, il ne s'agit que d'un contrôle de l'état du poêle.

Il est nécessaire de nettoyer plus soigneusement le tuyau d'évacuation ou la cheminée et de vérifier l'état du panier : si nécessaire, commandez-le auprès du Centre de service agréé. Si nécessaire, lubrifiez les charnières de la porte et de la poignée. Vérifiez également la corde en fibre de céramique près de la vitre, sur la paroi intérieure de la porte : si elle est usée ou trop sèche, commandez-la auprès du Centre de service agréé.



# FR Entretien et nettoyage du poêle



Toutes les opérations de nettoyage des différentes parties de le poêle doivent être effectuées lorsque le poêle est complètement froid et que la prise électrique est débranchée. Si vous utilisez des granulés de qualité homologués, votre poêle demandera pas d'entretien fréquent. La nécessité d'entretien augmente selon les temps de fonctionnement et les modifications des prestations requises.

Parties	Tous les jours	Chaque 2-3 jours	Chaque semaine	Chaque 15 jours	Chaque 30 jours	Chaque 45 jours	Chaque année / 1200 h
Brûleur	◇						
Nettoyage compart. collecte cendres		◇					
Nettoyage verre e porte		◇					
Nettoyage compartiment interne échangeur / compartiment du ventilateur fumée							●
Échangeur complet							●
Nettoyage échappement "T"						◇	
Conduit de fumée avec un outil spécial						◇	
Joint porte - tiroir à cendres							●
Parties internes							●
Cheminée							●
Composants électromécaniques							●

◇ = par l'utilisateur

● = par le Centre d'assistance technique agréé



Chaque 1200 heures de travail la carte électronique envoie un signal d'avertissement et l'écran affiche "SERVICE". Cela indique la nécessité d'un nettoyage complet de le poêle par un centre d'assistance technique agréé. Le manque de nettoyage cela pourrait entraîner une défaillance de la poêle et une mauvaise combustion, ce qui entraîne un rendement inférieur.



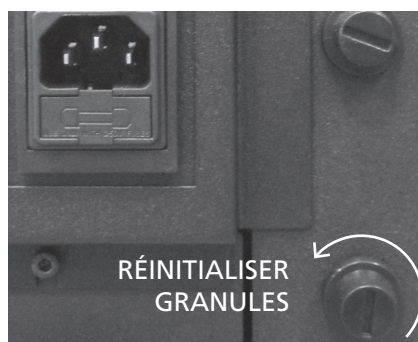
## Mesures de sécurité



Il est interdit de manipuler les dispositifs de sécurité. Il ne sera possible d'allumer le poêle qu'après avoir éliminé la cause qui a déclenché le système de sécurité et après avoir rétabli le fonctionnement automatique de la sonde. Voir la section sur les alarmes à comprendre comment interpréter chaque alarme doit apparaître sur l'écran de l'appareil.



**Pressostat fumées:** il contrôle la pression dans le conduit de fumée. Il sert à bloquer la vis sans fin au cas où la sortie de fumées serait bouchée et en cas de contre-pressions importantes par exemple en présence de vent. Au moment de intervention du pressostat s'affichera sur l'écran le message "*ALAR-DEP-FAIL*".



**Dispositif de sécurité température des granulés de bois:** si une température excessive se vérifiait à l'intérieur du poêle, le thermostat de sécurité des granulés de bois à réarmement manuel générerait une alarme "*ALAR-SIC-FAIL*" pour interrompre le fonctionnement de le poêle. Le rétablissement doit être effectué par le client en réarmant ce dispositif placé derrière l'appareil.

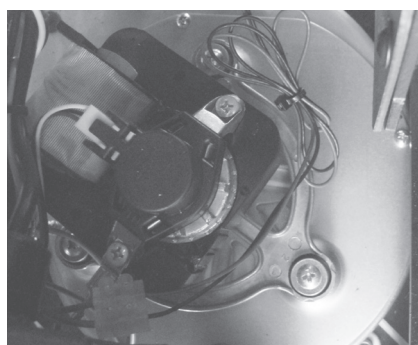


**Sécurité électrique:** le poêle est protégé contre les brusques coupures d'électricité (ex. foudre) par un fusible général à 4 A placé sur le panneau de contrôle situé à l'arrière de le poêle près du cordon d'alimentation. Les fusibles de protection des cartes électroniques sont disponibles sur les planches.

## Autres éléments



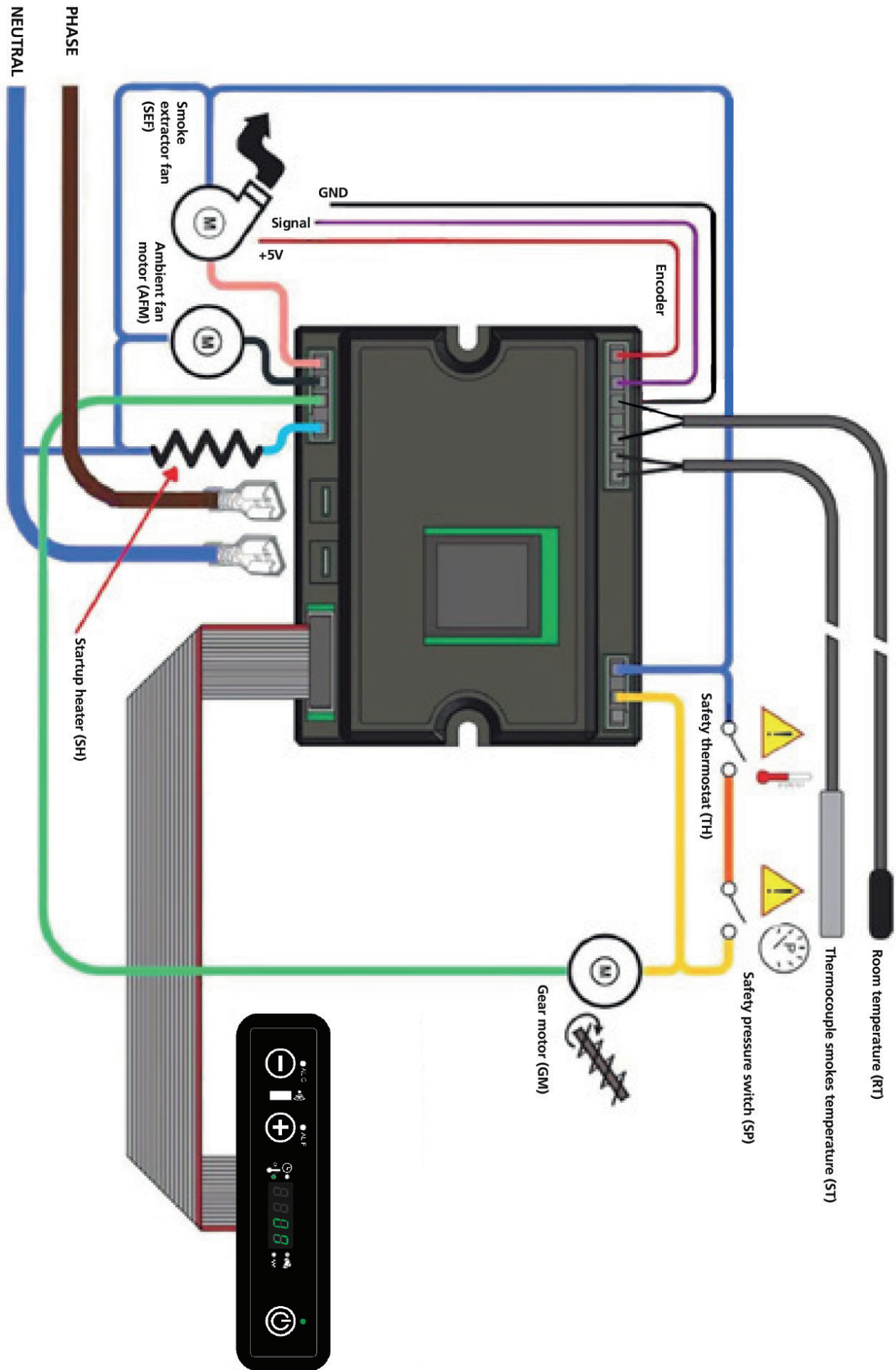
**Motoréducteur:** si le motoréducteur s'arrête, le poêle continue à fonctionner jusqu'à ce que la flamme sorte par manque de carburant et jusqu'à ce qu'il atteigne le niveau minimum de refroidissement.



**Sonde température fumées:** ce thermocouple relève la température des fumées et fait partir ou arrête le poêle lorsque la température des fumées descend au-dessous de la valeur programmée.



**Thermostat ambiant:** cela permet de détecter la température dans la chambre. Quand il détecte la température de consigne sur l'écran, le poêle passera en fonctionnement **ECO**, qui est en fonction de maintien pour économiser du carburant. Le thermostat d'ambiant doit être réparti de manière à ne pas être conditionnée par la température du corps du poêle.



# Pannes et solutions



Toutes les réparations doivent exclusivement être effectuées par un technicien spécialisé, lorsque le poêle est éteint et que la prise électrique est débranchée. Il est interdit de toute modification non autorisée de l'appareil et le remplacement de pièces avec d'autres entreprises. Les opérations marquées en gras doivent être effectuées uniquement par du personnel qualifié.

## Inconvénients éventuels et solutions

Étant donné que tous les poêles sont vérifiés dans leur parties de mouvement et de travail, et donc ils sont livrés dans un parfait état physique et de fonctionnement, il faut rappeler que le transport, le déchargement, le déplacement, un emploi incorrect ou une maintenance insuffisante, peuvent être les causes des inconvénients. Les inconvénients principales pourraient être résolus en lisant le tableau de suite. Si après avoir fait ce qui est ici décrit, le problème n'a pas été résolu, il faut interpellier le service d'assistance.

PROBLÈMES	CAUSES POSSIBLES	SOLUTIONS
<b>Display éteint et touches qui ne marchent pas</b>	1) Manque de tension dans l'alimentation 2) Interrupteur postérieur éteint 3) Display défectueux 4) Anomalies dans la connexion du display avec la fiche 5) Fusible avec fiche interrompu 6) Fiche défectueuse	1) Vérifier que le câble d'alimentation soit branché. 2) Agir sur l'interrupteur postérieur pour le mettre en marche 3) Détacher le poêle de la prise pendant 1 minute et rallumer. Si le problème continue, il faut contacter le centre d'assistance autorisé <b>4) Contrôler que le display et la fiche soient correctement joints.</b> <b>5) Contacter le centre d'assistance autorisé.</b> <b>6) Contacter le centre d'assistance autorisé.</b>
<b>La télécommande ne fonctionne pas</b>	1) Distance excessive du poêle 2) Pile de la télécommande épuisée. 3) La télécommande est endommagée.	1) S'approcher au poêle 2) Remplacer la pile 3) Remplacer la télécommande
<b>Défaut d'allumage</b>	1) Accumulation excessive de cendre dans le braséro 2) Procédure d'allumage erronée	1) Nettoyer le braséro 2) Réfaire la procédure d'allumage. <b>Si le problème persiste, il faut contacter le centre d'assistance autorisé.</b>
<b>De la fumée sort de la grille</b>	1) Black out électrique de nature accidentelle	1) Au cas où l'allumage soit interrompu ou l'activité du ventilateur soit momentanément interrompue, il peut arriver qu'il y ait la présence des petites quantités de fumée.
<b>Le ventilateur d'air chaud ne marche pas</b>	1) Le poêle ne s'est pas encore réchauffé	1) Il faut attendre l'issue du cycle d'allumage. Une fois rejoint la température, le ventilateur démarre automatiquement. <b>Si le problème persiste, contacter le centre d'assistance autorisé.</b>

<p><b>Le poêle ne s'allume pas automatiquement</b></p>	<ol style="list-style-type: none"> <li>1) Réservoir à granulés vide.</li> <li>2) La résistance ne re-joint pas la température</li> <li>3) Résistance plaignante</li> <li>4) Le pellet ne descend pas</li> <li>5) Moteur de visse sans fin défectueux</li> <li>6) Le brasero ne se trouve pas dans son endroit ou il est sale</li> <li>7) Obstructionnisme causé par des nids ou des corps étranger dans la cheminée</li> <li>8) Vérifier le fonctionnement de la bougie</li> <li>9) Le tiroir- cendrier n'est pas fermé correctement</li> <li>10) Obstruction du passage de fumée et du tuyau de cheminée</li> <li>11) Extracteur des fumées qui ne marche pas</li> <li>12) Sonde thermique défectueuse</li> <li>13) Pellet humide</li> </ol>	<ol style="list-style-type: none"> <li>1) Réservoir à granulés vide.</li> <li>2) La résistance ne re-joint pas la température</li> <li>3) Résistance plaignante</li> <li>4) Le pellet ne descend pas</li> <li><b>5) Moteur de visse sans fin défectueux</b></li> <li>6) Le brasero ne se trouve pas dans son endroit ou il est sale</li> <li>7) Obstructionnisme causé par des nids ou des corps étranger dans la cheminée</li> <li>8) Vérifier le fonctionnement de la bougie</li> <li>9) Le tiroir- cendrier n'est pas fermé correctement</li> <li>10) Obstruction du passage de fumée et du tuyau de cheminée</li> <li><b>11) Extracteur des fumées qui ne marche pas</b></li> <li><b>12) Sonde thermique défectueuse</b></li> <li>13) Pellet humide</li> </ol>
<p><b>Blocage du poêle. Le pellet n'est pas introduit dans la chambre de combustion.</b></p>	<ol style="list-style-type: none"> <li>1) Le réservoir vide</li> <li>2) Moteur de visse sans fin sans granulés de bois</li> <li>3) Problème technique du moteur de visse sans fin</li> <li>4) Motorducteur en panne</li> <li>5) Fiche électrique en panne</li> </ol>	<ol style="list-style-type: none"> <li>1) Le réservoir vide</li> <li>2) Moteur de visse sans fin sans granulés de bois</li> <li>3) Problème technique du moteur de visse sans fin</li> <li><b>4) Motorducteur en panne</b></li> <li><b>5) Fiche électrique en panne</b></li> </ol>
<p><b>Le poêle fonctionne pendant quelques minutes, après il s'éteint.</b></p>	<ol style="list-style-type: none"> <li>1) La phase d'allumage n'est pas terminée</li> <li>2) Absence momentanée du courant électrique</li> <li>3) Sonde de fumée défectueuse ou en panne</li> </ol>	<ol style="list-style-type: none"> <li>1) La phase d'allumage n'est pas terminée</li> <li>2) Absence momentanée du courant électrique</li> <li><b>3) Sonde de fumée défectueuse ou en panne</b></li> </ol>
<p><b>Le moteur d'aspiration des fumées ne s'arrête pas</b></p>	<ol style="list-style-type: none"> <li>1) Le poêle n'a pas encore refroidi</li> </ol>	<ol style="list-style-type: none"> <li>1) Attendre que le poêle soit refroidi. Seulement à refroidissement accompli, le ventilateur s'éteignera. <b>Si le problème persiste, contacter le centre d'assistance autorisé.</b></li> </ol>

<p><b>Les granulés s'accumulent dans le pot de combustion, la vitre de la porte se salit et la flamme est faible</b></p>	<ol style="list-style-type: none"> <li>1) Tuyau de cheminée avec des parties qui sont trop longs ou obstrués.</li> <li>2) Trop de pellet</li> <li>3) Quantité excessive de pellet ou de dépôt de cendre dans le braséro</li> <li>4) Le braséro ne se trouve pas dans son endroit</li> <li>5) Vent contraire au flux de décharge</li> <li>6) Manque d'air de combustion.</li> <li>7) pellet humide ou inadapté</li> <li>8) Moteur d'aspiration fumées en panne.</li> <li>9) Porte fermée de mauvaise façon</li> </ol>	<ol style="list-style-type: none"> <li>1) Nettoyer le pot de combustion et contrôler que tous les orifices soient libres. Effectuer un nettoyage générale de la chambre de combustion et ramoner le conduit de fumée. Contrôler que l'entrée d'air ne soit pas bouchée. Vérifier l'état des joints de la porte vitrée.</li> <li>2) Réduire dans les paramètres, le niveau de chargement du pellet</li> <li>3) Bien nettoyer le braséro après avoir attendu l'éteignement total du poêle. <b>Si ça arrive encore, contacter le centre d'assistance autorisé.</b></li> <li>4) Vérifier que le trou du braséro ne correspond pas à la bougie</li> <li>5) Contrôler la cheminée contre le vent/et ou éventuellement l'installer</li> <li>6) Vérifier la position correcte du braséro, son nettoyage et vérifier que le tuyau d'aspiration de l'air soit libre, vérifier l'état des joints de la porte, augmenter le niveau des paramètres relatifs à la vitesse du ventilateur expulsion de fumées. <b>Contactez le centre d'assistance autorisé.</b></li> <li>7) Changer le type de granulés. <b>Contactez le centre d'assistance autorisé.</b></li> <li>8) Vérifier et, éventuellement, remplacer le moteur. <b>Contactez le centre d'assistance autorisé.</b></li> <li>9) Contrôler que la vitre soit bien fermée et que le joint garantisse le verouillage</li> </ol>
<p><b>Odeur de fumée dans l'environnement. Eteignement du poêle</b></p>	<ol style="list-style-type: none"> <li>1) Mauvaise combustion</li> <li>2) Mauvais fonctionnement du ventilateur de fumée</li> <li>3) Mauvaise Installation du tuyau de cheminée</li> <li>4) Obstruction de la cheminée</li> </ol>	<ol style="list-style-type: none"> <li><b>1) Contacter le centre d'assistance autorisé</b></li> <li><b>2) Contacter le centre d'assistance autorisé</b></li> <li><b>3) Contacter le centre d'assistance autorisé</b></li> <li><b>4) Contacter le centre d'assistance autorisé</b></li> </ol>
<p><b>En mode automatique, le poêle fonctionne toujours à la puissance maximale</b></p>	<ol style="list-style-type: none"> <li>1) Thermostat d'ambiance en position maximale</li> <li>2) La sonde de détection température est endommagée.</li> <li>3) Le Tableau de commande est défectueux ou il ne fonctionne pas.</li> </ol>	<ol style="list-style-type: none"> <li>1) Régler à nouveau la température du thermostat.</li> <li>2) Vérifier le fonctionnement de la sonde et, éventuellement, la remplacer.</li> <li>3) Vérifier le fonctionnement du tableau de commande et, éventuellement, le remplacer.</li> </ol>
<p><b>Le moteur d'aspiration des fumées ne fonctionne pas</b></p>	<ol style="list-style-type: none"> <li>1) Le poêle ne reçoit pas de courant électrique.</li> <li>2) Le moteur est endommagé.</li> <li>3) La carte électronique est défectueuse.</li> <li>4) Le tableau de commande ne fonctionne pas.</li> </ol>	<ol style="list-style-type: none"> <li>1) Vérifier la tension du secteur d'alimentation et le fusible de protection.</li> <li>2) Vérifier le moteur et le condensateur et, éventuellement, les remplacer.</li> <li>3) Remplacer la carte électronique.</li> <li>4) Remplacer le tableau de commande.</li> </ol>



<p><b>Le feu s'éteint ou le poêle s'arrête automatiquement</b></p>	<ol style="list-style-type: none"> <li>1) Le réservoir du pellet est vide</li> <li>2) Il manque l'alimentation</li> <li>3) Le pellet ne sont pas introduits</li> <li>4) Dépôt excessif de cendre dans le braséro.</li> <li>5) Il y a eu l'intervention de la sonde de sécurité de température du pellet</li> <li>6) Moteur de visse sans fin bloqué par un corps étranger.</li> <li>7) La porte n'est pas parfaitement fermée parfaitement ou les joints sont épuisés</li> <li>8) Le pellet n'est pas approprié</li> <li>9) Contribution insuffisante du pellet</li> <li>10) Cheminée ou tuyau obstrué par des corps étrangers ou des nids.</li> <li>11) Intervention du pressostat</li> <li>12) Moteur d'extraction de fumée en panne</li> <li>13) Alarme activé</li> </ol>	<ol style="list-style-type: none"> <li>1) Remplir le réservoir du pellet</li> <li>2) Contrôler la fiche et la présence d'énergie électrique</li> <li>3) Remplir le réservoir du pellet</li> <li>4) Bien nettoyer le braséro</li> <li>5) Laisser que le poêle se refroidit complètement, rétablir la configuration manuelle et rallumer le poêle; <b>si le problème continue, contacter le centre d'assistance technique</b></li> <li>6) Détachée la fiche, vider le reservoir, enlever les corps étranges</li> <li>7) Fermer la porte <b>ou substituer les joints avec d'autres, originaux</b></li> <li>8) Changer le type de pellet avec un conseillé par la maison constructice. <b>Parfois, sur la base du type de pellet, pendant le réglage des paramètres, il faut varier le niveau relatif au chargement du pellet</b></li> <li>9) Augmenter le niveau dans le paramètre relatif au chargement du pellet. <b>Faire vérifier afflux du combustible par l'assistance technique.</b></li> <li>10) Eliminer quelconque corps étrange de la cheminée. Nettoyer le tuyau de la cheminée et nettoyer periodiquement.</li> <li><b>11) Vérifier l'obstruction éventuel du tuyau de la cheminée et si le pressostat fonctionne correctement.</b></li> <li><b>12) Vérifier et éventuellement substituer le moteur</b></li> <li>13) Voir le paragraphe alarmes</li> </ol>
<p><b>Le ventilateur de l'air de convection ne s'arrête jamais</b></p>	<ol style="list-style-type: none"> <li>1) La sonde thermique de contrôle de la température est défectueuse ou ne fonctionne pas.</li> <li>2) Le ventilateur est endommagé.</li> </ol>	<ol style="list-style-type: none"> <li>1) Vérifier le fonctionnement de la sonde et, éventuellement, la remplacer</li> <li>2) Vérifier le fonctionnement du ventilateur et, éventuellement, le remplacer..</li> </ol>
<p><b>Le poêle ne démarre pas</b></p>	<ol style="list-style-type: none"> <li>1) Absence de courant électrique</li> <li>2) Sonde granulés bloquée.</li> <li>3) Fusible endommagé:</li> <li>4) Le pressostat ne fonctionne pas (il signale un blocage)</li> <li>5) Evacuation ou conduit de fumée obstrué.</li> </ol>	<ol style="list-style-type: none"> <li>1) Contrôler si la prise électrique est branchée et si l'interrupteur général est en position "I".</li> <li>2) Débloquer en appuyant sur le thermostat postérieur. Si cela arrive encore, <b>substituer le thermostat.</b></li> <li>3) Remplacer le fusible</li> <li><b>4) Remplacer le pressostat</b></li> <li>5) Nettoyer la sortie des fumées et/ou ramoner le conduit de fumée</li> </ol>



**Le producteur du poêle décline toute responsabilité. La garantie du produit déchoit en cas de dommages causés par non respect des avertissements indiqués ci-dessus. Toute intervention effectuée par un centre d'assistance technique sera à la charge du client au cas où les instructions cidessus exposées, ne soient pas suivies.**



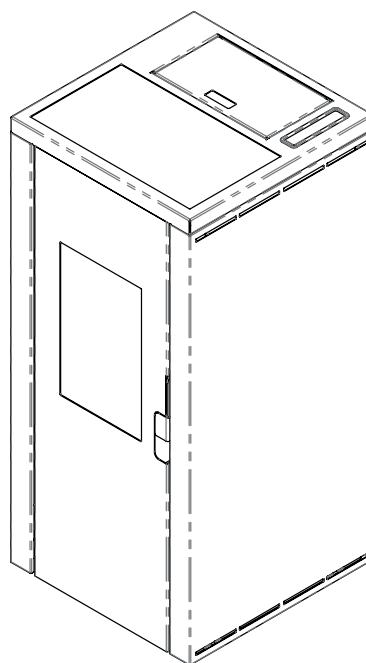
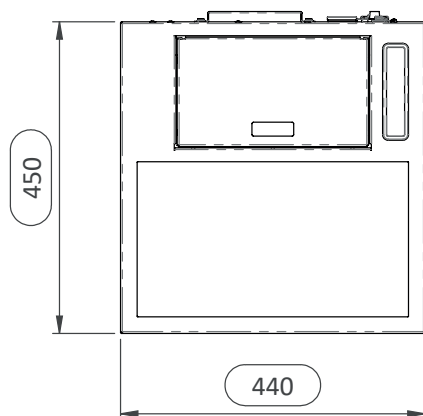
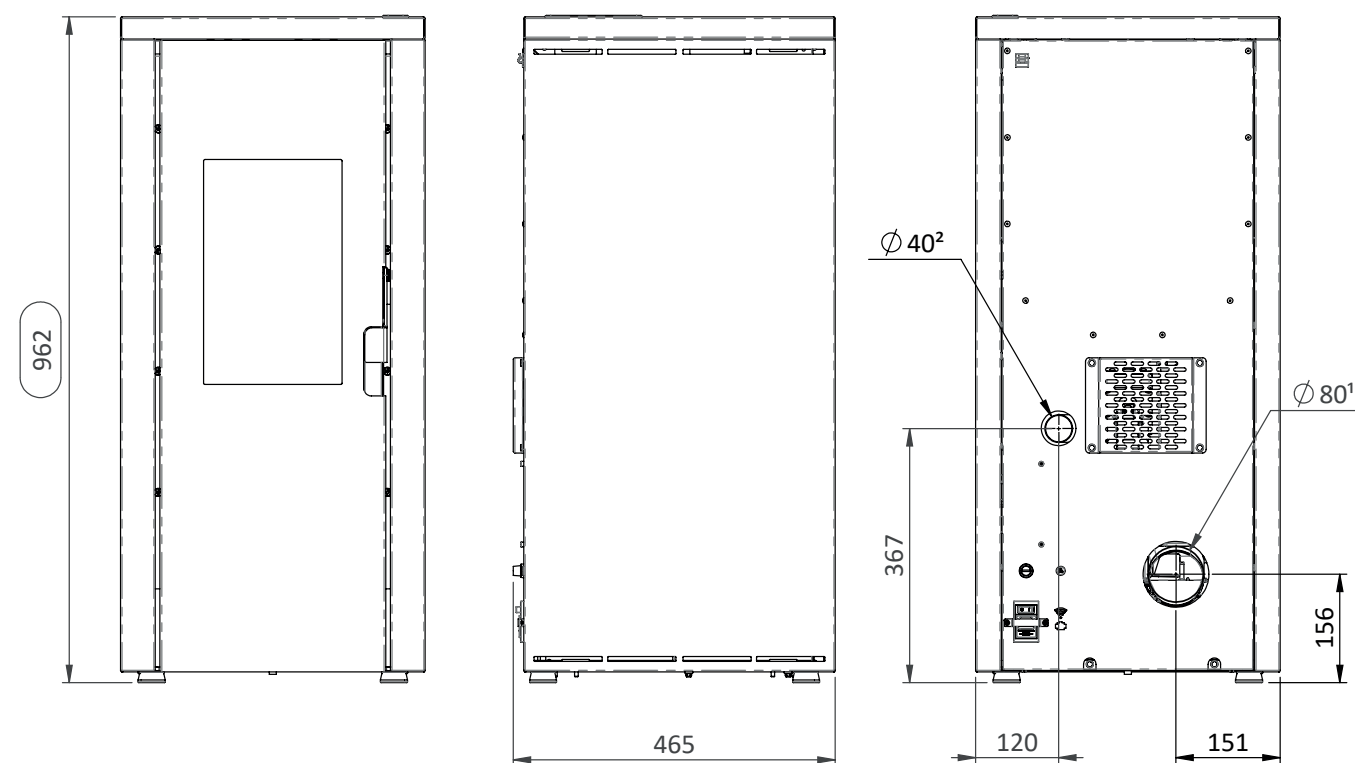
# Caractéristiques techniques

PARAMÈTRE	UNITÉ DE MESURE	SSI7	SSI75	SSI8
Puissance thermique total	kW	7,7	8,5	9,2
Puissance thermique nominal	kW	7,0	7,7	8,3
Puissance thermique réduite	kW	3,4	3,4	3,4
Concentration CO puissance nominal à 13% O <sub>2</sub>	mg/m <sup>3</sup>	178	198	198
Concentration CO puissance réduit à 13% O <sub>2</sub>	mg/m <sup>3</sup>	280	280	280
Efficacité nominal	%	90,8	90,3	90,3
Efficacité réduite	%	91,6	91,6	91,6
Consommation moyenne (min-max)	kg/h	0,8 - 1,6	0,8 - 1,7	0,8 - 1,9
Surface chauffable	kW	180	200	215
Flux fumées (min-max)	kW	3,3 - 4,7	3,3 - 4,8	3,3 - 4,8
Aspiration conseillé (min-max)	kW	10 - 10	10 - 12	10 - 12
Température des gaz de combustion (min-max)	mg/m <sup>3</sup>	110 - 166	110 - 195	110 - 195
Capacité du réservoir	mg/m <sup>3</sup>	16	16	16
Carburant recommandé	%	granulés 6x30	granulés 6x30	granulés 6x30
Diamètre sortie des fumées	%	80	80	80
Diamètre aspiration air	mm	40	40	40
Tension nominal	V	230	230	230
Fréquence nominal	Hz	50	50	50
Absorption électrique max	W	330	330	330
Poids poêle	Kg	55	55	55
IEE		127	127	127
N° Rapport d'essai	CS22-0084030-01			
Classe énergétique		A+	A+	A+
Poussière à 13% O <sub>2</sub> en référence à la puissance thermique nominale	mg/m <sup>3</sup>	14	14,7	14,7

**Il est recommandé de contrôler des émissions après l'installation.**

**Pour obtenir les résultats du rapport de test, chargez les paramètres de performance du fabricant et du technicien qualifié, qui ne pourra les utiliser qu'après avoir vérifié que l'installation est en mesure de reproduire les conditions de laboratoire. Ces prestations ne peuvent être atteintes qu'après 15/20 heures de travail à puissance nominale.**

Mod. SSI



1. SORTIE DE FUMÉE Ø 80 mm
2. ENTRÉE D'AIR Ø 40 mm

**REMARQUES:**

- les mesures sont approximatives et peuvent varier en fonction de l'esthétique de le poêle
- les positions des tubes dans la vue arrière sont indicatifs et la tolérance de +/- 10 mm
- mesures avec tolérance d'environ 10 mm

## Notice mise en service de poêles à granulés de bois

Félicitations pour l'achat de nos poêles à granulés de bois Livn. Afin d'avoir droit à la garantie, il est impératif que la mise en service du poêle soit faite par le personnel autorisé et qualifié.

### **Voulez-vous prendre RDV pour la mise en service ?**

Pour la Belgique vous pouvez inscrire via le site : <https://livn.doitforme.services>

#### Pas No. 1

Vous avez acheté un poêle à granulés de bois Livn chez un de nos revendeurs.

#### Pas No. 2A

Vous installez vous-même le poêle à pellets en suivant les consignes d'installation notées dans le manuel et en respectant les normes. Prenez ensuite contact avec le personnel qualifié afin de prendre RDV pour le contrôle et la mise en service du poêle (valeur €200,- inclus dans le prix du poêle à pellets même).

#### Pas No. 2B

Vous faites installer votre poêle à pellets par notre personnel qualifié, à cette fin vous demandez une offre personnalisé.

La valeur de €200,- pour la mise en service est incluse dans le prix du poêle à pellets.

#### Pas No. 3

L'installation sera contrôlée par un technicien qualifié et autorisé.

#### Pas No. 4A

Si le technicien constate que le poêle n'a pas été correctement installé conformément aux normes en vigueur il faudrait suivre les consignes du pas No. 2B.

#### Pas No. 4B

Si le poêle à pellets a été correctement installé conformément aux normes en vigueur le technicien spécialisé fera la mise en service du poêle en mettant les justes paramètres.

#### Pas No. 5

Le spécialiste vérifie l'installation et le fonctionnement du poêle à granulés, il remplit également le formulaire de la mise en service qui sera à la fois signé, cela prend environ 30 minutes. À partir de ce moment la garantie est valable sous les conditions d'utilisation applicables. Pour le bon fonctionnement du poêle à granulés, vous devez lire le manuel en détail, si vous avez des questions sur le fonctionnement du produit, veuillez prendre contact avec le point de vente.

## Profi tez bien de votre poêle à pellets Livn

**Avez-vous besoin de plus amples informations ou avez-vous des anomalies?**

Prenez contact avec [service@gimeg.nl](mailto:service@gimeg.nl)



A series of horizontal lines for writing, starting from the top of the page and extending to the bottom. The lines are evenly spaced and cover the width of the page.

## GARANTIE GÉNÉRALE

Tous nos produits sont testés et sont couverts par une garantie pendant 24 mois à compter de la date d'achat. Pour que la garantie puisse être prise en compte, une preuve d'achat (facture d'achat ou reçu du paiement) doit être présentée au personnel technique autorisé.

En cas de non présentation de la preuve d'achat, le propriétaire de l'appareil ne pourra pas faire valoir la garantie. Par garantie s'entend le remplacement ou la réparation à titre gratuit des pièces de l'appareil qui s'avèrent défectueuses à cause d'un défaut de fabrication.

1. La garantie couvrant les défauts de fabrication et les défauts de matériaux déchoit en cas de :

- interventions effectuées par un personnel non autorisé
- dommages causés par le transport ou par des causes non imputables au fabricant ;
- installation incorrecte ;

- branchement électrique erroné ;
- maintenances périodiques non effectuées ;
- accidents de nature externe (foudre, inondation, etc.) ;
- utilisation et maintenance incorrectes.
- pour une utilisation éventuelle avec une charge excessive de combustible ;
- cause de dégradation de certains composants et de tout le produit.

2. Le remplacement complet de l'appareil peut être effectué seulement suite à la décision incontestable du fabricant dans des cas particuliers.

3. Le fabricant décline toute responsabilité en cas de dommages éventuels qui peuvent causer, directement ou indirectement, des dommages à des personnes, des biens ou animaux en conséquence du non-respect de l'ensemble des prescriptions indiquées dans le livret d'instructions et concernant, en particulier, les avertissements en matière d'installation, d'utilisation et entretien de l'appareil.

## LIMITES DE LA GARANTIE

La garantie est limitée aux défauts de fabrication, à condition que le produit ne soit pas endommagé par une mauvaise utilisation, une négligence, un raccordement erroné, des modifications, des erreurs d'installation.

Les composants suivants sont couverts par une garantie de 12 mois :

- Le brûleur de combustion ;
- La résistance (si présente)

La garantie ne couvre pas :

- La vitre de la porte ;
- Les joints de manière générale et de la porte en fibre ;
- La peinture ;
- Les céramiques (si présente) ;
- La télécommande (si présente) ;
- Les parois internes ;
- Les grilles du foyer ;
- Chapeaux de brûleur (si présente) ;
- Matériaux réfractaires (si présente) ;
- Poignées et/ou boutons ;
- toutes les parties amovibles ;
- Tous les dommages éventuels causés par une installation inadéquate et/ou des manquements du consommateur ;
- Dommages éventuels dus à des sauts de tension ou à des surtensions de réseau, chocs inductifs/électrostatiques ou provoqués par la foudre ;

Sont exclus de la garantie tous les dysfonctionnements et/ou dommages de l'appareil à imputer aux causes suivantes :

- Dommages causés lors du transport et/ou de la manutention
- Toutes les parties qui venaient à s'avérer défectueuses pour cause de négligence, d'emploi et d'entretien erronés, d'installation non conforme aux spécifications du fabricant (se référer toujours au manuel d'installation et d'utilisation fourni avec l'appareil) ;
- Dimensionnement erroné relativement à l'utilisation ou défauts au niveau de l'installation, c'est-à-dire non adoption de précautions nécessaires garantissant une exécution selon les règles de l'art ;
- Une trop grande surchauffe de l'appareil, due, par exemple, à l'emploi de combustibles non conformes aux types et quantités indiqués dans les instructions fournies ;
- Des dommages additionnels causés par l'utilisateur lui-même dans sa tentative de remédier à la panne initiale ;
- Une aggravation des dommages provoquée par l'utilisateur lui-même dans sa tentative d'utiliser encore l'appareil, même une fois que la panne est survenue ;
- En présence d'une chaudière avec d'éventuelles corrosions, incrustations ou ruptures provoquées par des courants vagabonds, par la condensation, par l'agressivité ou l'acidité de l'eau, par des traitements désincrustants effectués de façon impropre, par l'absence d'eau, par des dépôts de boue ou de calcaire ;
- Un dysfonctionnement de cheminées, de conduits de cheminée ou autres parties de l'installation dont dépend l'appareil ;
- Des dommages à imputer à des modifications de l'appareil, aux agents atmosphériques, à des catastrophes naturelles, à des actes de vandalisme, à des chocs électriques, à des incendies, à un défaut de l'installation électrique et/ou hydraulique ;
- La non-exécution de l'entretien annuel du poêle de la part d'un technicien autorisé ou de personnes qualifiées entraîne l'annulation de la garantie.



[www.livn.nl](http://www.livn.nl)